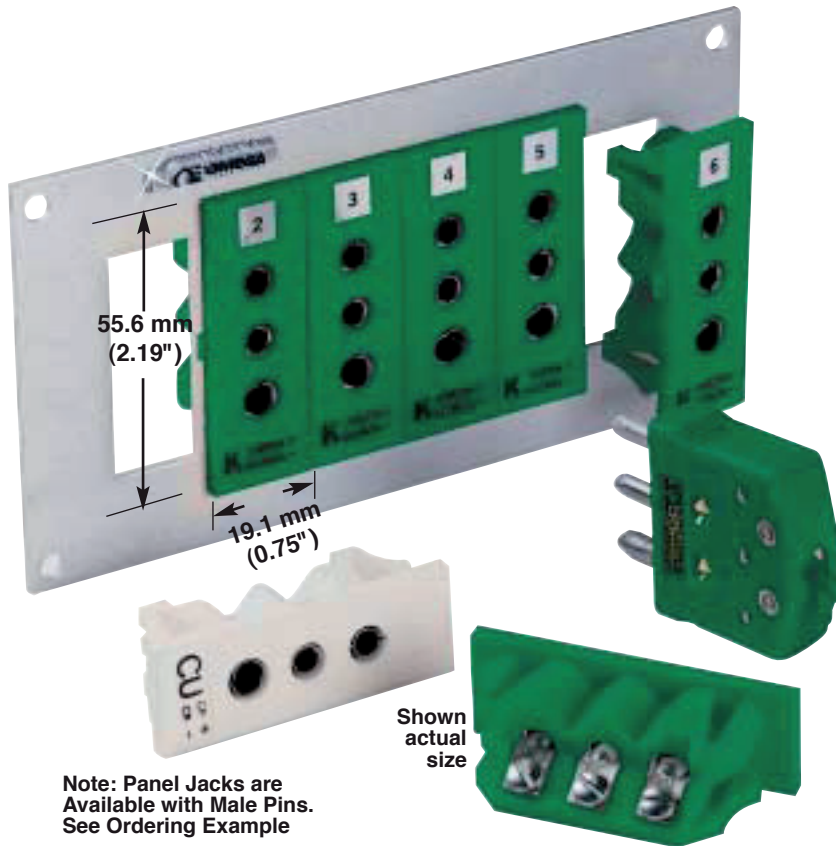


# Panel Jacks, 3-Prong Snap-In For Thermocouples and RTD's



Note: Panel Jacks are Available with Male Pins. See Ordering Example

- ✓ Accepts Heavy Duty OTP-Type 3-Prong Connectors
- ✓ No Additional Mounting Hardware Required
- ✓ No Installation Tools Required
- ✓ Interlocking
- ✓ Colour-Coded
- ✓ Numbered
- ✓ Reusable
- ✓ **FREE!** ID Number Labels Included with Each Jack

Mounting hardware has been eliminated in the TPJ-style panel jacks by including the retaining spring clips as a part of the body design. A small tab and notch are provided to maintain straight, even rows without the need for precision machining.

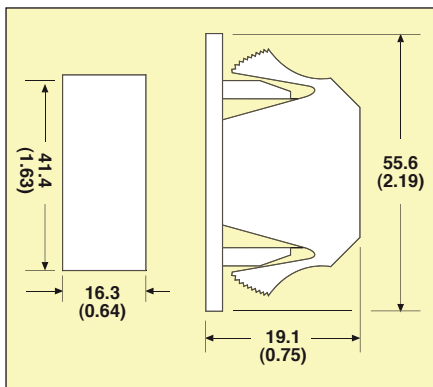
## See Section G for Twisted Shielded Wire

The TPJ colour-coded jacks accept OTP-style 3-prong male connectors, and are available in J, K, T and E, as well as uncompensated for RTD's and thermistors.

### Extra ID Number Labels:

- 1-6S, £1.05 for 1 to 6
- 1-12S, £1.25 for 1 to 12
- 1-18S, £1.45 for 1 to 18
- 1-24S, £1.65 for 1 to 24
- 1-50S, £2.10 for 1 to 50
- 1-100S, £2.50 for 1 to 100

- ✓ Accepts Stranded or Solid Wire up to Size 1.6 mm Dia.



Discount Schedule	
1-10 units	.....Net
11-24 units	.....10%
25-49 units	.....15%
50-99	.....20%
100-999	.....25%
1000 and up	.....Consult Sales

**IN STOCK FOR FAST DELIVERY!**

### To Order (Specify Model Number)

Alloy Code	Type of Thermocouple Used With Connector	Compensating Alloy Used in Connector			Shell Colour	Model Number (Female)	Price of Jack
		+	-	G			
K	CHROMEGLA™-ALOMEGA™	CHROMEGLA™	ALOMEGA™	Copper	Green	TPJ-KI-F	£3.00
T	Copper-Constantan	Copper	Constantan	Copper	Brown	TPJ-TI-F	3.00
J	Iron-Constantan	Iron	Constantan	Copper	Black	TPJ-J-F	3.00
E	CHROMEGLA™-Constantan	CHROMEGLA™	Constantan	Copper	Violet	TPJ-E-F	3.00
U†	Uncompensated-RTD	Copper	Copper	Copper	White	TPJ-U-F	3.00

†NOTE: Type U (Uncompensated) connectors are used with type B thermocouples (Pt/6% Rh-Pt 30% Rh), RTD's and thermistors. To order jacks with male connector prongs, change "-F" in model no. to "-M"; no additional charge

Ordering Example for Standard Female Panel Jack: TPJ-KI-F, female 3-prong snap-in panel jack, £3.00.  
Ordering Example for Panel Jack with Male Pins: TPJ-KI-M, male 3-prong snap-in panel jack, £3.00



### Removal Tool SIRT-2 £10.00

For the large volume user who requires the ability to quickly remove installed connectors, the SIRT-2 removal tool is invaluable. Operating easily even in densely packed panels, the tool compresses all spring clips together, allowing the TPJ to be pushed out of the panel from the rear.

# omega.co.uk<sup>®</sup>

Your One-Stop Source for Process Measurement and Control!

Freephone 0800 488 488 | International +44(0) 161 777 6622 | Fax +44(0) 161 777 6622 | Sales@omega.co.uk

[www.omega.co.uk](http://www.omega.co.uk)



#### UNITED STATES

[www.omega.com](http://www.omega.com)

1-800-TC-OMEGA  
Stamford, CT.

#### UNITED KINGDOM

[www.omega.co.uk](http://www.omega.co.uk)

Manchester, England  
0800-488-488  
+44-(0)161-777-6611

#### CANADA

[www.omega.ca](http://www.omega.ca)

Laval(Quebec)  
1-800-TC-OMEGA

#### FRANCE

[www.omega.fr](http://www.omega.fr)

0800-466-342

#### GERMANY

[www.omega.de](http://www.omega.de)

Deckenfronn, Germany  
0800-8266342

#### BENELUX

[www.omega.nl](http://www.omega.nl)

0800-099-33-44



## More than 100,000 Products Available!

### • Temperature

Calibrators, Connectors, General Test and Measurement Instruments, Handheld Instruments for Temperature Measurement, Ice Point References, Indicating Labels, Crayons, Cements and Lacquers, Infrared Temperature Measurement Instruments, Recorders, Relative Humidity Measurement Instruments, PT100 Probes, PT100 Elements, Temperature & Process Meters, Timers and Counters, Temperature and Process Controllers and Power Switching Devices, Thermistor Elements, Probes and Assemblies, Thermocouples, Thermowells and Head and Well Assemblies, Transmitters, Thermocouple Wire, RTD Probes

### • Flow and Level

Air Velocity Indicators, Doppler Flowmeters, Level Measurement, Magnetic Flowmeters, Mass Flowmeters, Pitot Tubes, Pumps, Rotameters, Turbine and Paddle Wheel Flowmeters, Ultrasonic Flowmeters, Valves, Variable Area Flowmeters, Vortex Shedding Flowmeters

### • pH and Conductivity

Conductivity Instrumentation, Dissolved Oxygen Instrumentation, Environmental Instrumentation, pH Electrodes and Instruments, Water and Soil Analysis Instrumentation

### • Data Acquisition

Communication Products and Converters, Data Acquisition and Analysis Software, Data Loggers Plug-in Cards, Signal Conditioners, USB, RS232, RS485, Ethernet and Parallel Port Data Acquisition Systems, Wireless Transmitters and Receivers

### • Pressure, Strain and Force

Displacement Transducers, Dynamic Measurement Force Sensors, Instrumentation for Pressure and Strain Measurements, Load Cells, Pressure Gauges, Pressure Reference Section, Pressure Switches, Pressure Transducers, Proximity Transducers, Regulators, Pressure Transmitters, Strain Gauges, Torque Transducers, Valves

### • Heaters

Band Heaters, Cartridge Heaters, Circulation Heaters, Comfort Heaters, Controllers, Meters and Switching Devices, Flexible Heaters, General Test and Measurement Instruments, Heater Hook-up Wire, Heating Cable Systems, Immersion Heaters, Process Air and Duct, Heaters, Radiant Heaters, Strip Heaters, Tubular Heaters