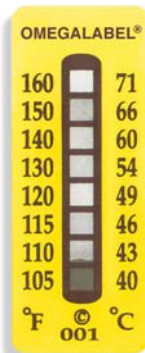


Non-Reversible OMEGALABEL® Temperature Labels TL-8 and 10 Range Series

- ✓ Adhesive Backs for Easy Mounting for Temperatures Above -40°C/°F
- ✓ Indicator Turns Black When Exposed

- Applications:**
- General • Aeronautical • Electrical • HVAC
 - All applications where size is not a conditioning factor

8-Temperature Range Labels TL-8 SERIES 46 x 18 mm



Shown actual size

| Model No. | Temperature Range |
|-------------|--|
| TL-8-105(*) | °F 105 110 115 120 130 140 150 160 °C 40 43 46 49 54 60 66 71 |
| TL-8-170(*) | °F 170 180 190 200 210 220 230 240 °C 77 82 88 93 99 104 110 116 |
| TL-8-250(*) | °F 250 260 270 280 290 300 310 320 °C 121 127 132 138 143 149 154 160 |
| TL-8-330(*) | °F 330 340 350 360 370 380 390 400 °C 166 171 177 182 188 193 199 204 |
| TL-8-410(*) | °F 410 420 435 450 465 480 490 500 °C 210 216 224 232 241 249 254 260 |

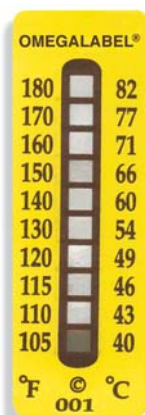
Price
pk of 10 pk of 30
£870 £24⁰⁰

*Insert "-10" for pack of 10 or "-30" for pack of 30.
Ordering Example: TL-8-170-30
Eight Temperature Range Labels (170, 180, 190, 200, 210, 220, 230, 240°F), pack of 30; **£24.**



Confirm correct shipping of critical products.

10-Temperature Range Labels TL-10 SERIES 54 x 18 mm

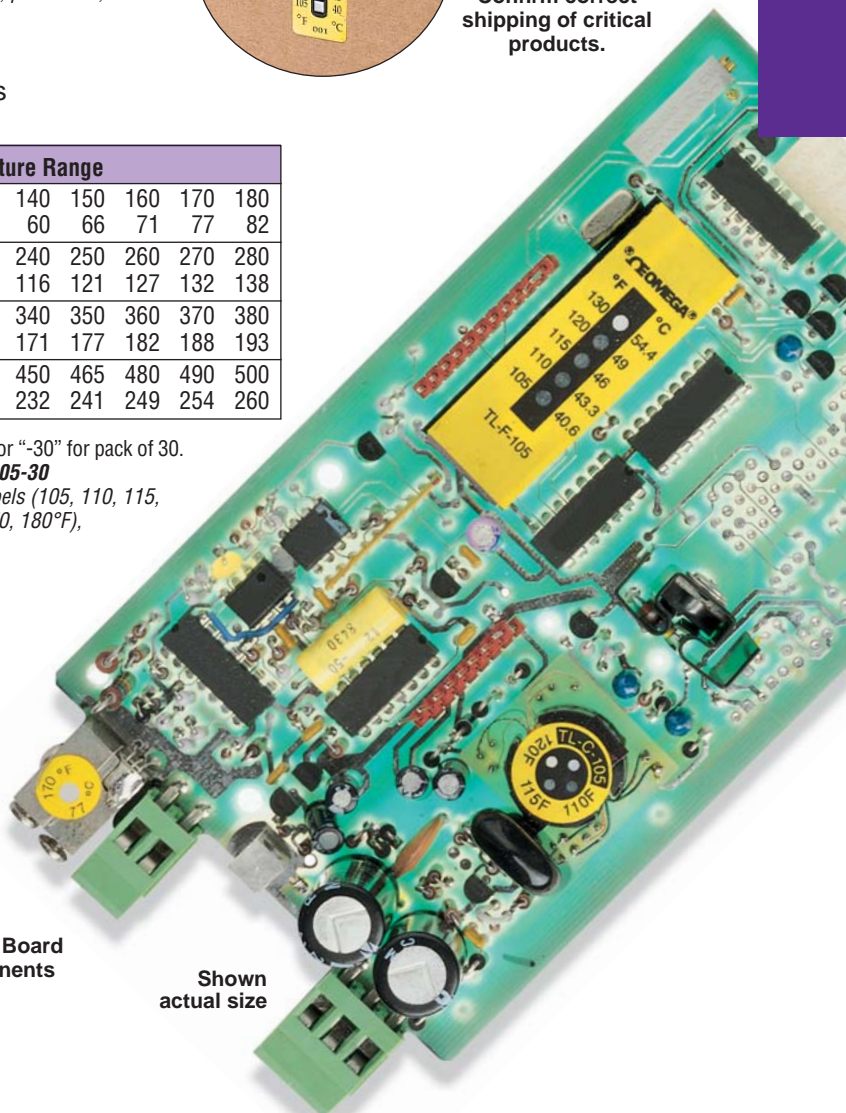


Shown actual size

| Model No. | Temperature Range |
|--------------|--|
| TL-10-105(*) | °F 105 110 115 120 130 140 150 160 170 180 °C 40 43 46 49 54 60 66 71 77 82 |
| TL-10-190(*) | °F 190 200 210 220 230 240 250 260 270 280 °C 88 93 99 104 110 116 121 127 132 138 |
| TL-10-290(*) | °F 290 300 310 320 330 340 350 360 370 380 °C 143 149 154 160 166 171 177 182 188 193 |
| TL-10-390(*) | °F 390 400 410 420 435 450 465 480 490 500 °C 199 204 210 216 224 232 241 249 254 260 |

Price
pk of 10 pk of 30
£900 £24⁷⁵

*Insert "-10" for pack of 10 or "-30" for pack of 30.
Ordering Example: TL-10-105-30
Ten Temperature Range Labels (105, 110, 115, 120, 130, 140, 150, 160, 170, 180°F), pack of 30; **£24.75**



Test PC Board Components

Shown actual size

ALL MODELS AVAILABLE FOR FAST DELIVERY!

Discount Schedule (Packs)

| | |
|---------|---------------|
| 1-9 | Net |
| 10-49 | 10% |
| 50-99 | 20% |
| 100-499 | 30% |
| 500+ | Consult Sales |



UNITED STATES

www.omega.com

1-800-TC-OMEGA

Stamford, CT.

CANADA

www.omega.ca

Laval(Quebec)

1-800-TC-OMEGA

GERMANY

www.omega.de

Deckenpfronn, Germany

0800-8266342

UNITED KINGDOM

www.omega.co.uk

Manchester, England

0800-488-488

FRANCE

www.omega.fr

088-466-342

CZECH REPUBLIC

www.omegaeng.cz

Karviná, Czech Republic

596-311-899

BENELUX

www.omega.nl

0800-099-33-44



More than 100,000 Products Available!

• Temperature

Calibrators, Connectors, General Test and Measurement Instruments, Handheld Instruments for Temperature Measurement, Ice Point References, Indicating Labels, Crayons, Cements and Lacquers, Infrared Temperature Measurement Instruments, Recorders, Relative Humidity Measurement Instruments, PT100 Probes, PT100 Elements, Temperature & Process Meters, Timers and Counters, Temperature and Process Controllers and Power Switching Devices, Thermistor Elements, Probes and Assemblies, Thermocouples, Thermowells and Head and Well Assemblies, Transmitters, Thermocouple Wire, RTD Probes

• Flow and Level

Air Velocity Indicators, Doppler Flowmeters, Level Measurement, Magnetic Flowmeters, Mass Flowmeters, Pitot Tubes, Pumps, Rotameters, Turbine and Paddle Wheel Flowmeters, Ultrasonic Flowmeters, Valves, Variable Area Flowmeters, Vortex Shedding Flowmeters

• pH and Conductivity

Conductivity Instrumentation, Dissolved Oxygen Instrumentation, Environmental Instrumentation, pH Electrodes and Instruments, Water and Soil Analysis Instrumentation

• Data Acquisition

Auto-Dialers and Alarm Monitoring Systems, Communication Products and Converters, Data Acquisition and Analysis Software, Data Loggers Plug-in Cards, Signal Conditioners, USB, RS232, RS485 and Parallel Port Data Acquisition Systems, Wireless Transmitters and Receivers

• Pressure, Strain and Force

Displacement Transducers, Dynamic Measurement Force Sensors, Instrumentation for Pressure and Strain Measurements, Load Cells, Pressure Gauges, Pressure Reference Section, Pressure Switches, Pressure Transducers, Proximity Transducers, Regulators, Pressure Transmitters, Strain Gauges, Torque Transducers, Valves

• Heaters

Band Heaters, Cartridge Heaters, Circulation Heaters, Comfort Heaters, Controllers, Meters and Switching Devices, Flexible Heaters, General Test and Measurement Instruments, Heater Hook-up Wire, Heating Cable Systems, Immersion Heaters, Process Air and Duct, Heaters, Radiant Heaters, Strip Heaters, Tubular Heaters