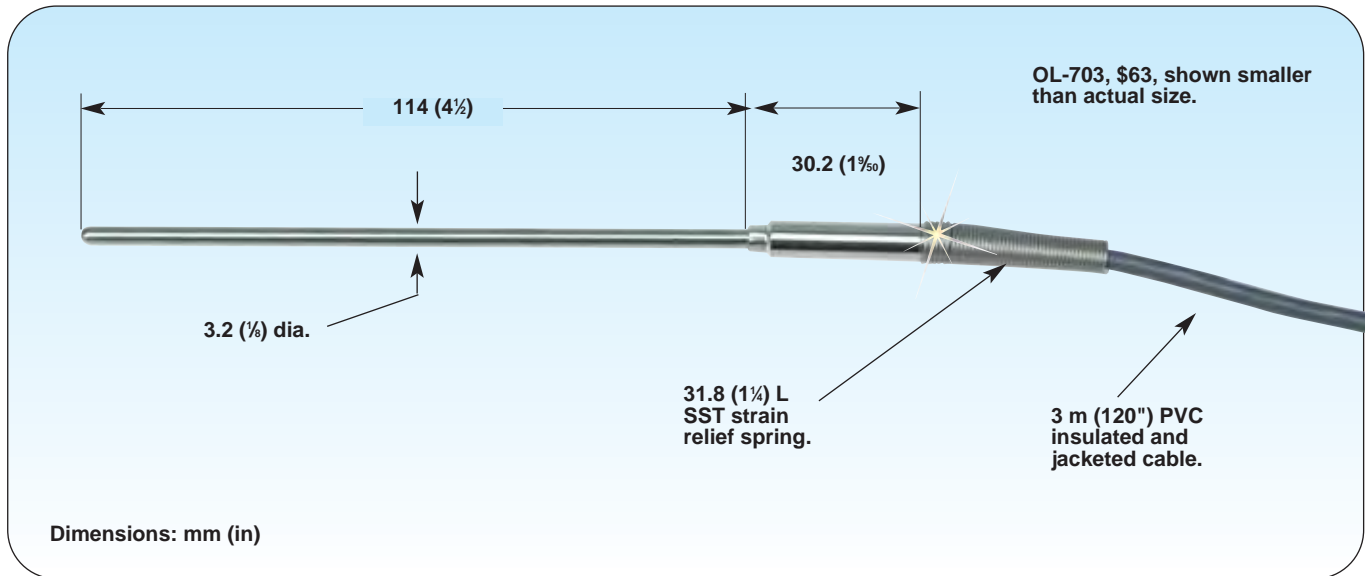


Linear Immersion Thermistor Sensors For Rugged Duty Immersion Temperature Measurements



OL-703 Series Starts at **\$63**



- ✓ 300 Series Stainless Steel Probe with Transition for Rugged Environments
- ✓ Probe Can be Immersed Up To Its Transition Fitting
- ✓ Provided with 3 m (120") of PVC Cable (Standard) or Phone Plug (Optional)

MOST POPULAR MODEL HIGHLIGHTED!

To Order (Specify Model Number)						
Model Number	Price	Sensor Type	Thermistor Model Number	Resistance #1 @ 25°C	Resistance #2 @ 25°C	Termination
OL-703	\$63	Tubular immersion sensor	44018	6000 Ω	30000 Ω	Stripped leads
OL-703-PP	70	Tubular immersion sensor	44018	6000 Ω	30000 Ω	Phone plug

Optional Resistor Sets

Model Number	Price	Description	Resistor R1	Resistor R2
44301	\$12	Resistor set	3200 Ω	6250 Ω
44302	12	Resistor set	5700 Ω	12000 Ω
44303	12	Resistor set	18700 Ω	35250 Ω
44304	12	Resistor set	5700 Ω	12400 Ω

Note: See page Z-256 for additional resistance vs. temperature information.

Options: For additional cable length add \$1/ft to the price and add the required length (in inches) to the end of the model number as shown below. Add optional resistor sets shown above for linearizing the sensor output based on your specific requirements (see pages D-35 through D-36).

Ordering Examples: OL-703-PP, linear tubular immersion thermistor sensor, 3 m (120") of PVC insulated and jacketed cable and phone plug connector, \$63 + \$7 = \$70.

omega.co.uk[®]

Your One-Stop Source for Process Measurement and Control!

Freephone 0800 488 488 | International +44(0) 161 777 6622 | Fax +44(0) 161 777 6622 | Sales@omega.co.uk

www.omega.co.uk



UNITED STATES

www.omega.com

1-800-TC-OMEGA
Stamford, CT.

UNITED KINGDOM

www.omega.co.uk

Manchester, England
0800-488-488
+44-(0)161-777-6611

CANADA

www.omega.ca

Laval(Quebec)
1-800-TC-OMEGA

FRANCE

www.omega.fr

0800-466-342

GERMANY

www.omega.de

Deckenfronn, Germany
0800-8266342

BENELUX

www.omega.nl

0800-099-33-44



More than 100,000 Products Available!

• Temperature

Calibrators, Connectors, General Test and Measurement Instruments, Handheld Instruments for Temperature Measurement, Ice Point References, Indicating Labels, Crayons, Cements and Lacquers, Infrared Temperature Measurement Instruments, Recorders, Relative Humidity Measurement Instruments, PT100 Probes, PT100 Elements, Temperature & Process Meters, Timers and Counters, Temperature and Process Controllers and Power Switching Devices, Thermistor Elements, Probes and Assemblies, Thermocouples, Thermowells and Head and Well Assemblies, Transmitters, Thermocouple Wire, RTD Probes

• Flow and Level

Air Velocity Indicators, Doppler Flowmeters, Level Measurement, Magnetic Flowmeters, Mass Flowmeters, Pitot Tubes, Pumps, Rotameters, Turbine and Paddle Wheel Flowmeters, Ultrasonic Flowmeters, Valves, Variable Area Flowmeters, Vortex Shedding Flowmeters

• pH and Conductivity

Conductivity Instrumentation, Dissolved Oxygen Instrumentation, Environmental Instrumentation, pH Electrodes and Instruments, Water and Soil Analysis Instrumentation

• Data Acquisition

Communication Products and Converters, Data Acquisition and Analysis Software, Data Loggers Plug-in Cards, Signal Conditioners, USB, RS232, RS485, Ethernet and Parallel Port Data Acquisition Systems, Wireless Transmitters and Receivers

• Pressure, Strain and Force

Displacement Transducers, Dynamic Measurement Force Sensors, Instrumentation for Pressure and Strain Measurements, Load Cells, Pressure Gauges, Pressure Reference Section, Pressure Switches, Pressure Transducers, Proximity Transducers, Regulators, Pressure Transmitters, Strain Gauges, Torque Transducers, Valves

• Heaters

Band Heaters, Cartridge Heaters, Circulation Heaters, Comfort Heaters, Controllers, Meters and Switching Devices, Flexible Heaters, General Test and Measurement Instruments, Heater Hook-up Wire, Heating Cable Systems, Immersion Heaters, Process Air and Duct, Heaters, Radiant Heaters, Strip Heaters, Tubular Heaters