

Model H

All Stainless Steel
(except dial)
Head 2.37" O.D.



Model H

\$40

With 6" Stem



To order H, specify*:

Model - Range - Stem Length - Mounting

Ordering Example: H-0-100F-9-PLAIN, Model H with 0 to 100°F range, 9" stem and plain bushing, \$43.

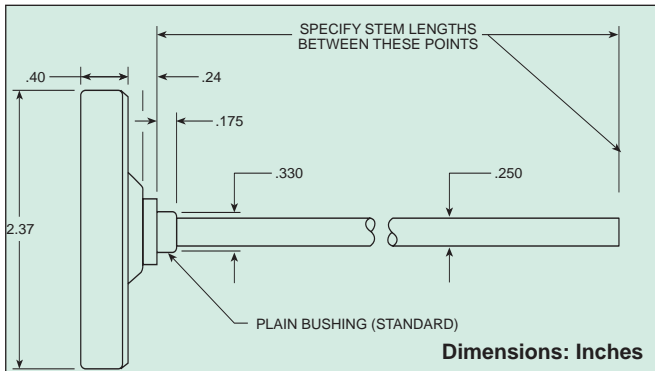
External mounting bracket available, \$6

Reset bushing now available, consult Sales Department.

*For stem lengths and pricing, see page E-36



Shown smaller than actual size



MOST POPULAR RANGES HIGHLIGHTED!

Ranges and °Divisions

Fahrenheit	
Range	Div.
*25 to 125°F	1°
-100 to 100°F	2°
-80 to 120°F	2°
-40 to 160°F	2°
0 to 200°F	2°
0 to 250°F	2°
20 to 240°F	2°
50 to 300°F	2°
50 to 500°F	5°
100 to 800°F	10°
150 to 750°F	10°
200 to 1000°F	10°
0 to 220°F	10°
50 to 550°F	10°
50 to 650°F	10°

Celsius	
Range	Div.
-50 to 50°C	1°
-50 to 100°C	2°
-40 to 70°C	1°
0 to 100°C	1°
-10 to 110°C	1°
-20 to 120°C	1°
*0 to 50°C	1°
0 to 150°C	1°
0 to 300°C	5°
0 to 400°C	5°
50 to 400°C	5°
100 to 500°C	5°
0 to 200°C	5°

*Minimum Stem Length 4"

Dual	
Range	Div.
50 to 500°F	2°
10 to 260°C	1°
200 to 1000°F	2°
100 to 500°C	2°
-100 to 100°F	2°
-70 to 40°C	2°
50 to 300°F	1°
10 to 150°C	2°
0 to 250°F	5°
-20 to 120°C	5°
-40 to 160°F	10°
-40 to 70°C	10°
20 to 240°F	2°
-10 to 115°C	1°
*25 to 125°F	2°
-5 to 50°C	1°

Lab and Test Thermometers Models GL and HL

Heads: GL-1.73" O.D.
HL-2.37" O.D. 8" Stem

Made entirely of Stainless Steel (except dial). Ideal for lab or testing air, asphalt, babbitt, cement, chemicals, food, water, waste, etc. Only available in 8" stem length as plain, no threads, no options. Clear, easy to read.

To order GL and HL, specify:

Model - Range Ordering Example: GL-0-200F, Model GL with 0 to 200°F range, \$37. Reset bushing standard.

Pointed stem available, add "-PS" and \$4 to price.



Model GL Model HL

\$37

\$40

1.73" Head

2.37" Head



MOST POPULAR RANGES HIGHLIGHTED!

"GL" Ranges and °Divisions

Fahrenheit	
Range	Div.
25 to 125°F	1°
-100 to 100°F	2°
-40 to 160°F	2°
0 to 200°F	2°
0 to 250°F	2°
20 to 240°F	2°
50 to 300°F	2°
50 to 500°F	5°
100 to 800°F	10°
150 to 750°F	10°
200 to 1000°F	10°
0 to 220°F	10°
-50 to 300°F	10°

Celsius	
Range	Div.
-50 to 50°C	1°
-50 to 100°C	2°
-40 to 70°C	1°
0 to 100°C	2°
-10 to 110°C	1°
-20 to 120°C	1°
0 to 50°C	1°
0 to 150°C	1°
0 to 300°C	5°
0 to 400°C	5°
50 to 400°C	5°
0 to 200°C	5°

Dual	
Range	Div.
0 to 200°F	2°
-10 to 90°C	2°
50 to 500°F	2°
10 to 260°C	2°
200 to 1000°F	2°
100 to 500°C	1°
-100 to 100°F	2°
-70 to 40°C	2°
-40 to 160°F	5°
-40 to 70°C	5°
20 to 240°F	10°
-10 to 115°C	10°
25 to 125°F	10°
-5 to 50°C	10°
50 to 300°F	10°
10 to 150°C	10°

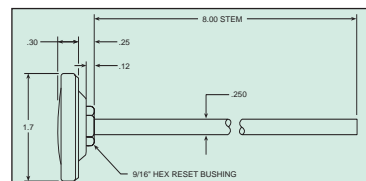
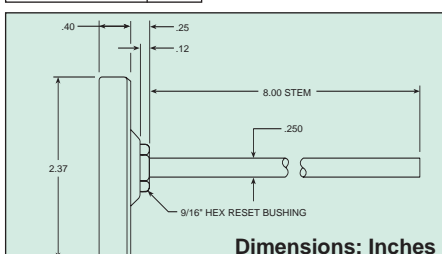
"HL" Ranges and °Divisions

Fahrenheit	
Range	Div.
25 to 125°F	1°
-100 to 100°F	2°
-80 to 120°F	2°
-40 to 160°F	2°
0 to 200°F	2°
0 to 250°F	2°
20 to 240°F	2°
50 to 300°F	2°
50 to 500°F	5°
100 to 800°F	10°
150 to 750°F	10°
200 to 1000°F	10°
-50 to 300°F	10°
0 to 220°F	10°
50 to 550°F	10°
50 to 650°F	10°

Celsius	
Range	Div.
-50 to 50°C	1°
-50 to 100°C	2°
-40 to 70°C	1°
0 to 100°C	1°
-10 to 110°C	1°
-20 to 120°C	1°
*0 to 50°C	1°
0 to 150°C	1°
0 to 300°C	5°
0 to 400°C	5°
50 to 400°C	5°
100 to 500°C	5°
0 to 200°C	5°

* Minimum Stem Length - 4"

Dual	
Range	Div.
50 to 500°F	2°
10 to 260°C	1°
200 to 1000°F	2°
100 to 500°C	2°
-100 to 100°F	2°
-70 to 40°C	2°
50 to 300°F	2°
10 to 150°C	2°
0 to 250°F	5°
-20 to 120°C	5°
-40 to 160°F	10°
-40 to 70°C	10°
20 to 240°F	2°
-10 to 115°C	1°
25 to 125°F	2°
-5 to 50°C	1°



Pricing Information

☐ **MOST POPULAR STEM LENGTHS HIGHLIGHTED!**
 ↕ Stocked Stem Length ↕

To Order (Specify Model Number)			*Not available with 0 to 100°F, 25 to 125°F, 0 to 50°C										
Angle Form – Back Connected	Page Ref.	Head Dia. (O.D.)	Stem Lengths										
			2½"	4"	6"	9"	12"	15"	18"	24"	30"	36"	
Model Q	E-29	1½"											
Plain Bushing			\$37	\$37	\$37	\$40	\$49	\$53	\$56	\$61	\$68	\$72	
¼" NPT Mounting Thread			40	40	40	43	52	56	59	64	71	75	
⅜"-24NF Mounting Thread			40	40	40	43	52	56	59	64	71	75	
½" NPT Mounting Thread			40	40	40	43	52	56	59	64	71	75	
Model G	E-29	1⅞"											
Plain Bushing			39	39	39	43	50	55	58	64	70	74	
¼" NPT Mounting Thread			52	52	52	46	53	58	61	67	73	77	
⅜"-24NF Mounting Thread			52	52	52	46	53	58	61	67	73	77	
½" NPT Mounting Thread			52	52	52	46	53	58	61	67	73	77	
Model H	E-30	2⅝"											
Plain Bushing			42	42	42	45	53	58	60	66	73	77	
¼" NPT Mounting Thread			45	45	45	48	56	61	63	69	76	80	
⅜"-24NF Mounting Thread			45	45	45	48	56	61	63	69	76	80	
½" NPT Mounting Thread			45	45	45	48	56	61	63	69	76	80	
Model L	E-33												
½" NPT Mounting Thread			102	102	102	106	116	126	134	143	163	182	
Model G/EMB Plain Bushing (External Mounting Bracket)	E-35	1⅞"	45	45	45	46	55	OVER 12" NOT RECOMMENDED					
Model H/EMB Plain Bushing (External Mounting Bracket)	E-35	2⅝"	48	48	48	51	59						
Models A & R with ¼" NPT	E-31	3"	58	58	58	61	68	71	76	82	90	96	
Model A External Reset, ½" NPT			52	52	52	55	62	65	70	76	84	90	
Model R ½" NPT Mounting Thread			52	52	52	55	62	65	70	76	84	90	
Models B & S with ¼" NPT	E-31	5"	81	81	81	87	93	97	102	106	113	119	
Model B External Reset, ½" NPT			75	75	75	81	87	91	96	100	107	113	
Model S ½" NPT Mounting Thread			75	75	75	81	87	91	96	100	107	113	
Model J with ¾" NPT Adaptor			137	137	137	142	148	155	166	176	194	214	
Model J with ½" NPT	E-33	5"	120	120	120	125	131	138	149	159	177	197	

Straight Form – Bottom Connected	Page Ref.	Head Dia. (O.D.)	Stem Lengths									
			2½"	4"	6"	9"	12"	15"	18"	24"	30"	36"
Model X (XR with External Reset) ½" NPT Mounting Thread	E-32	3"	\$86	\$86	\$86	\$90	\$100	\$123	\$125	\$134	\$149	\$175
Models X & XR ¼" NPT			92	92	92	96	106	129	131	140	155	181
Model V (VR with External Reset) ½" NPT Mounting Thread	E-32	5"	116	116	116	119	127	136	148	159	181	202
Models V & VR ¼" NPT			122	122	122	125	133	142	154	165	187	208

For intermediate stem lengths add \$4 to next longer standard stem length. Stems over 36" are available; consult Sales Department for pricing. Optional mounting threads for Models A, R, B, S, X, XR, V and VR not listed above: ¼" NPT mounting nut add \$6 to unit price; ¾" NPT adaptor bushing (add \$17 to price). Optional mounting threads for Models Q, G and H not listed above: ⅛" NPT and ⅜" NPT Mounting Threads, add \$4. Plain hex bushing (models A, R, B, S only), no additional charge. Special mounting threads: prices on application. Design and specifications are subject to change as engineering improvements permit.

omega.co.uk[®]

Your One-Stop Source for Process Measurement and Control!

Freephone 0800 488 488 | International +44(0) 161 777 6622 | Fax +44(0) 161 777 6622 | Sales@omega.co.uk

www.omega.co.uk



UNITED STATES

www.omega.com

1-800-TC-OMEGA
Stamford, CT.

CANADA

www.omega.ca

Laval(Quebec)
1-800-TC-OMEGA

GERMANY

www.omega.de

Deckenfronn, Germany
0800-8266342

UNITED KINGDOM

www.omega.co.uk

Manchester, England
0800-488-488
+44-(0)161-777-6611

FRANCE

www.omega.fr

0800-466-342

BENELUX

www.omega.nl

0800-099-33-44



More than 100,000 Products Available!

• Temperature

Calibrators, Connectors, General Test and Measurement Instruments, Handheld Instruments for Temperature Measurement, Ice Point References, Indicating Labels, Crayons, Cements and Lacquers, Infrared Temperature Measurement Instruments, Recorders, Relative Humidity Measurement Instruments, PT100 Probes, PT100 Elements, Temperature & Process Meters, Timers and Counters, Temperature and Process Controllers and Power Switching Devices, Thermistor Elements, Probes and Assemblies, Thermocouples, Thermowells and Head and Well Assemblies, Transmitters, Thermocouple Wire, RTD Probes

• Flow and Level

Air Velocity Indicators, Doppler Flowmeters, Level Measurement, Magnetic Flowmeters, Mass Flowmeters, Pitot Tubes, Pumps, Rotameters, Turbine and Paddle Wheel Flowmeters, Ultrasonic Flowmeters, Valves, Variable Area Flowmeters, Vortex Shedding Flowmeters

• pH and Conductivity

Conductivity Instrumentation, Dissolved Oxygen Instrumentation, Environmental Instrumentation, pH Electrodes and Instruments, Water and Soil Analysis Instrumentation

• Data Acquisition

Communication Products and Converters, Data Acquisition and Analysis Software, Data Loggers Plug-in Cards, Signal Conditioners, USB, RS232, RS485, Ethernet and Parallel Port Data Acquisition Systems, Wireless Transmitters and Receivers

• Pressure, Strain and Force

Displacement Transducers, Dynamic Measurement Force Sensors, Instrumentation for Pressure and Strain Measurements, Load Cells, Pressure Gauges, Pressure Reference Section, Pressure Switches, Pressure Transducers, Proximity Transducers, Regulators, Pressure Transmitters, Strain Gauges, Torque Transducers, Valves

• Heaters

Band Heaters, Cartridge Heaters, Circulation Heaters, Comfort Heaters, Controllers, Meters and Switching Devices, Flexible Heaters, General Test and Measurement Instruments, Heater Hook-up Wire, Heating Cable Systems, Immersion Heaters, Process Air and Duct, Heaters, Radiant Heaters, Strip Heaters, Tubular Heaters