

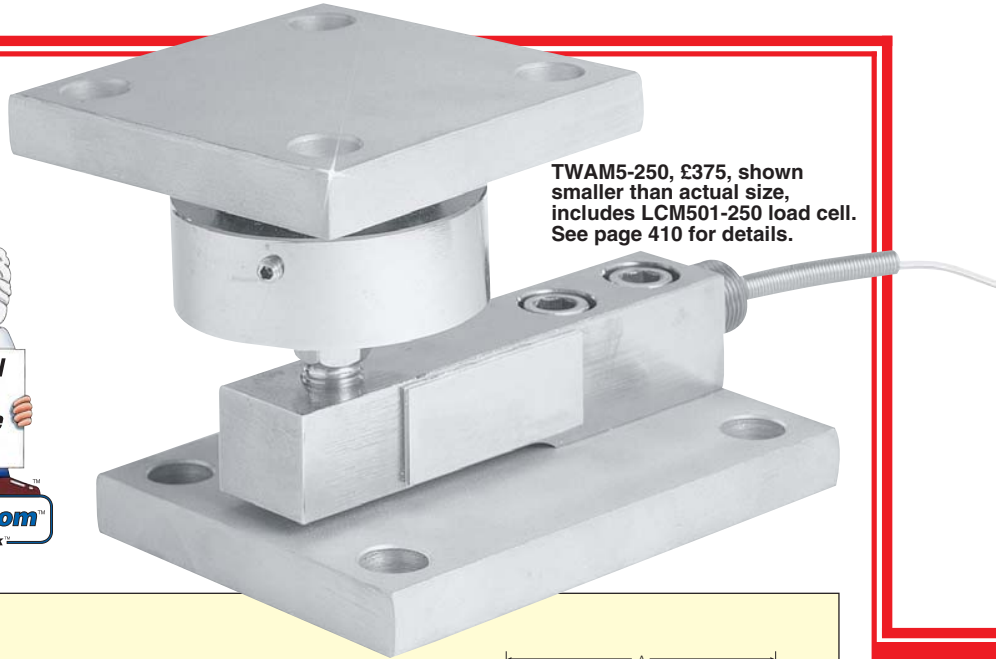
SELF-ADJUSTING WEIGH ASSEMBLIES WITH LCM501 SERIES LOAD CELL INCLUDED

TWAM5/TWAM6 Series

TWAM5 (Nickel-Plated Carbon Steel)

TWAM6 (Stainless Steel)

0-25 kg to 0-10,000 kg



TWAM5-250, £375, shown smaller than actual size, includes LCM501-250 load cell. See page 410 for details.

Starts at
£375



- ✓ Heavy-Duty Design
- ✓ For Tank and Bin Weighing
- ✓ Self-Adjusting for Accurate Measurements
- ✓ Highly Corrosion-Resistant Materials
- ✓ Shipped Fully Assembled, Including Load Cell
- ✓ 5-Point Calibration Provided
- ✓ 150% Compression Overload
- ✓ Ideal for Multicell Installations

SPECIFICATIONS

Non-Parallel Mounting:

Self-adjusting for surfaces up to 2°

Thermal Expansion:

Self-adjusting for up to ±1.6 mm

Height: Adjustable per dimension "J"

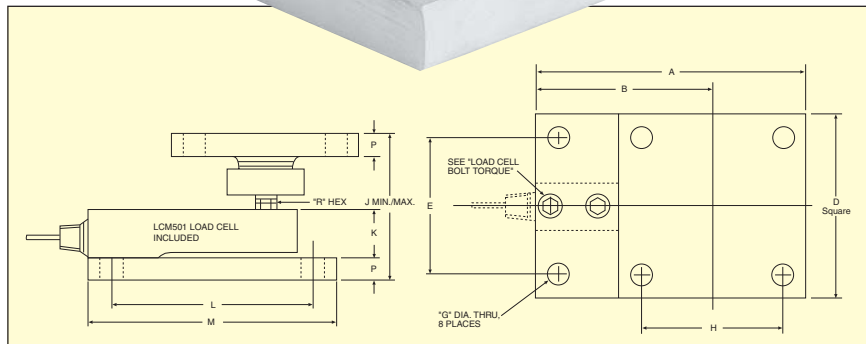
Weight:	Range (kg)	kg
(Including Load Cell)	25 to 250	4.5
	500 to 2500	10.5
	5000	11.5
	10,000	25

5-Point Calibration (in Compression):

0%, 50%, 100%, 50%, 0%

ACCESSORY

MODEL NO.	PRICE	DESCRIPTION
ME-0301	£101	Reference Book: Mark's Standard Handbook for Mechanical Engineers



Dimensions: mm

CAPACITY kg	A	B	D	E	G	H	J	K	L	M	P	R	TORQUE N-m
375	146	102	88.9	63.5	13.5	63.5	95.3/102	25.4	101.6	127	12.7	14.2	30
500 to 2.5 K	222	146	152	114	17.3	114	121/127	38.1	165.1	203	19	14.2	76
5 K	248	171	152	114	17.3	114	127/133	38.1	165.1	203	19	22.4	245
10 K	311	216	191	140	20.6	140	184/191	63.5	203	254	25.4	28.4	245

MOST POPULAR MODELS HIGHLIGHTED!

To Order (Specify Model Number)

CAPACITY kg	lb	WEIGHING ASSEMBLIES WITH LOAD CELL				REPLACEMENT LOAD CELL	
		CARBON STEEL		STAINLESS STEEL		MODEL NO.	PRICE
		MODEL NO.	PRICE	MODEL NO.	PRICE	MODEL NO.	PRICE
25	55	TWAM5-25	£375	TWAM6-25	£492	LCM501-25	£228
50	110	TWAM5-50	375	TWAM6-50	492	LCM501-50	228
100	220	TWAM5-100	375	TWAM6-100	492	LCM501-100	228
250	551	TWAM5-250	375	TWAM6-250	492	LCM501-250	228
500	1102	TWAM5-500	412	TWAM6-500	499	LCM501-500	228
1000	2205	TWAM5-1K	412	TWAM6-1K	499	LCM501-1K	235
2500	5512	TWAM5-2.5K	412	TWAM6-2.5K	499	LCM501-2.5K	235
5000	11,023	TWAM5-5K	540	TWAM6-5K	650	LCM501-5K	298
10,000	22,046	TWAM5-10K	705	TWAM6-10K	815	LCM501-10K	466

Note: Weighing assembly is shipped fully assembled including the load cell. Load cell comes with 5-point traceable calibration.

Ordering Examples: TWAM6-2.5K, 2500 kg capacity stainless steel weighing assembly with LCM501-2.5K, load cell (included), £412. TWAM5-250, 250 kg capacity carbon steel weighing assembly with LCM501-250, load cell (included), £375.

omega.co.uk[®]

Your One-Stop Source for Process Measurement and Control!

Freephone 0800 488 488 | International +44(0) 161 777 6622 | Fax +44(0) 161 777 6622 | Sales@omega.co.uk

www.omega.co.uk



UNITED STATES

www.omega.com

1-800-TC-OMEGA

Stamford, CT.

CANADA

www.omega.ca

Laval(Quebec)

1-800-TC-OMEGA

GERMANY

www.omega.de

Deckenpfronn, Germany

0800-8266342

UNITED KINGDOM

www.omega.co.uk

Manchester, England

0800-488-488

FRANCE

www.omega.fr

088-466-342

CZECH REPUBLIC

www.omegaeng.cz

Karviná, Czech Republic

596-311-899

BENELUX

www.omega.nl

0800-099-33-44



More than 100,000 Products Available!

• Temperature

Calibrators, Connectors, General Test and Measurement Instruments, Handheld Instruments for Temperature Measurement, Ice Point References, Indicating Labels, Crayons, Cements and Lacquers, Infrared Temperature Measurement Instruments, Recorders, Relative Humidity Measurement Instruments, PT100 Probes, PT100 Elements, Temperature & Process Meters, Timers and Counters, Temperature and Process Controllers and Power Switching Devices, Thermistor Elements, Probes and Assemblies, Thermocouples, Thermowells and Head and Well Assemblies, Transmitters, Thermocouple Wire, RTD Probes

• Flow and Level

Air Velocity Indicators, Doppler Flowmeters, Level Measurement, Magnetic Flowmeters, Mass Flowmeters, Pitot Tubes, Pumps, Rotameters, Turbine and Paddle Wheel Flowmeters, Ultrasonic Flowmeters, Valves, Variable Area Flowmeters, Vortex Shedding Flowmeters

• pH and Conductivity

Conductivity Instrumentation, Dissolved Oxygen Instrumentation, Environmental Instrumentation, pH Electrodes and Instruments, Water and Soil Analysis Instrumentation

• Data Acquisition

Auto-Dialers and Alarm Monitoring Systems, Communication Products and Converters, Data Acquisition and Analysis Software, Data Loggers Plug-in Cards, Signal Conditioners, USB, RS232, RS485 and Parallel Port Data Acquisition Systems, Wireless Transmitters and Receivers

• Pressure, Strain and Force

Displacement Transducers, Dynamic Measurement Force Sensors, Instrumentation for Pressure and Strain Measurements, Load Cells, Pressure Gauges, Pressure Reference Section, Pressure Switches, Pressure Transducers, Proximity Transducers, Regulators, Pressure Transmitters, Strain Gauges, Torque Transducers, Valves

• Heaters

Band Heaters, Cartridge Heaters, Circulation Heaters, Comfort Heaters, Controllers, Meters and Switching Devices, Flexible Heaters, General Test and Measurement Instruments, Heater Hook-up Wire, Heating Cable Systems, Immersion Heaters, Process Air and Duct, Heaters, Radiant Heaters, Strip Heaters, Tubular Heaters