

G 1 THREAD FLUSH DIAPHRAGM LOW-PRESSURE TRANSMITTER

PXM42 Series 4 to 20 mA Output 0-400 mbar to 0-1.6 bar

1 bar = 14.5 psi
1 kg/cm² = 14.22 psi
1 Atmosphere = 14.7 psi = 29.93 in-Hg = 760.2 mm-Hg = 1.014 bar

All Models
£356



- ✓ Stainless Steel Construction
- ✓ Processing and Industrial Applications
- ✓ Large Flush Diaphragm for Plug Free Measurement of Difficult Fluids
- ✓ 3 m Cable with Conduit Connection on Body for Installation in Harsh Environments
- ✓ Heavy Duty G1 Fitting
- ✓ 4 to 20 mA Output to Interface with Most Industrial Controls

OMEGA's PXM42 Series is a high accuracy, current output, industrial pressure transmitter with a specially designed flush diaphragm for use with industrial fluids and slurries that are difficult to measure due to sticking or plugging of orifices. Its hermetically sealed, all stainless steel construction makes it suitable for the harshest industrial environments. Three metres of two conductor vented shielded cable is standard with a 1/2 NPT conduit fitting on the body for conduit installation. Pressure ranges from 0 to 400 mbar up to 1.6 bar are available to cover low pressure processing and industrial applications.

SPECIFICATIONS

Excitation: 12 to 40 Vdc

Output: 4 to 20 mA ±10% adj

Zero Balance: 4 mA +10% -2% adj

Accuracy: 0.25% linearity, hysteresis, and repeatability combined

Operational Temp Range: -46 to 121°C

Compensated Temp Range: 16 to 71°C

Thermal Effects:

Span: 0.009% of Rdg/°C

Zero: 0.009% of FSO/°C

Proof Pressure: 200% of rated pressure

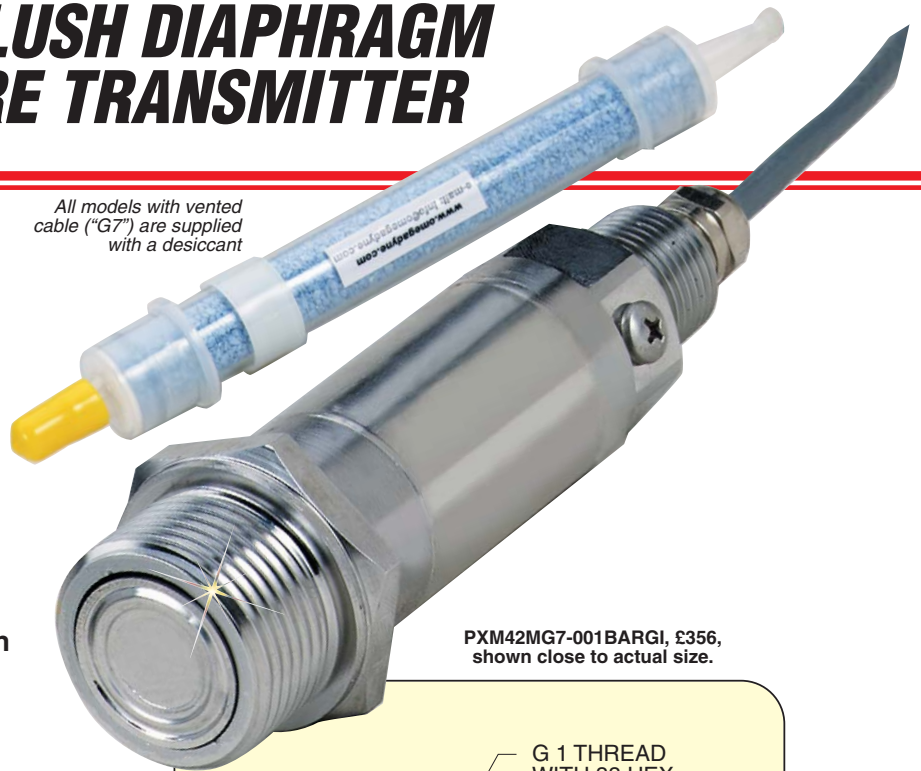
Burst Pressure: 300% of rated pressure

Wetted Parts: 316L SS body with Inconel® diaphragm

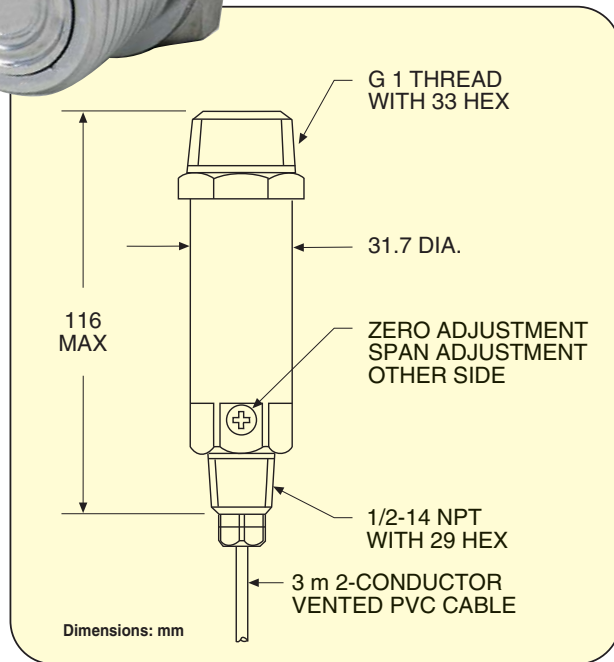
Pressure Port: G1 A male

Electrical Connection: 3 m 2-conductor vented cable with 1/2 -14 NPT conduit fitting

All models with vented cable ("G7") are supplied with a desiccant



PXM42MG7-001BARGI, £356, shown close to actual size.



MOST POPULAR MODELS HIGHLIGHTED!

To Order (Specify Model Number)

Models with G1 Male Pressure Connector, 3 m Cable and 4 to 20mA Output

RANGE (bar)	MODEL NUMBER	PRICE	COMPATIBLE METERS*
Gauge Pressure			
0 to 400 mbar	PXM42MG7-400MBARGI	£356	DP41-E, DP25B-E
0 to 1.00 bar	PXM42MG7-001BARGI	356	DP41-S, DP25B-E
0 to 1.60 bar	PXM42MG7-1.60BARGI	356	DP41-S, DP25B-E

* See page 291 for compatible meters. All models with vented cable ("G7") are supplied with desiccant. To order refills, specify Model A01938, £24.

Ordering Examples: PXM42MG7-400MBARGI, 400 mbar gauge pressure transmitter with a G1 pressure port, 3 metres vented cable, stainless steel wetted parts and 4 to 20 mA output, £356. PXM42MG7-001BARGI, 1 bar gauge pressure transmitter with G1 pressure port, 3 metres vented cable, stainless steel wetted parts and 4 to 20 mA output, £356.



UNITED STATES

www.omega.com

1-800-TC-OMEGA

Stamford, CT.

CANADA

www.omega.ca

Laval(Quebec)

1-800-TC-OMEGA

GERMANY

www.omega.de

Deckenpfronn, Germany

0800-8266342

UNITED KINGDOM

www.omega.co.uk

Manchester, England

0800-488-488

FRANCE

www.omega.fr

088-466-342

CZECH REPUBLIC

www.omegaeng.cz

Karviná, Czech Republic

596-311-899

BENELUX

www.omega.nl

0800-099-33-44



More than 100,000 Products Available!

• Temperature

Calibrators, Connectors, General Test and Measurement Instruments, Handheld Instruments for Temperature Measurement, Ice Point References, Indicating Labels, Crayons, Cements and Lacquers, Infrared Temperature Measurement Instruments, Recorders, Relative Humidity Measurement Instruments, PT100 Probes, PT100 Elements, Temperature & Process Meters, Timers and Counters, Temperature and Process Controllers and Power Switching Devices, Thermistor Elements, Probes and Assemblies, Thermocouples, Thermowells and Head and Well Assemblies, Transmitters, Thermocouple Wire, RTD Probes

• Flow and Level

Air Velocity Indicators, Doppler Flowmeters, Level Measurement, Magnetic Flowmeters, Mass Flowmeters, Pitot Tubes, Pumps, Rotameters, Turbine and Paddle Wheel Flowmeters, Ultrasonic Flowmeters, Valves, Variable Area Flowmeters, Vortex Shedding Flowmeters

• pH and Conductivity

Conductivity Instrumentation, Dissolved Oxygen Instrumentation, Environmental Instrumentation, pH Electrodes and Instruments, Water and Soil Analysis Instrumentation

• Data Acquisition

Auto-Dialers and Alarm Monitoring Systems, Communication Products and Converters, Data Acquisition and Analysis Software, Data Loggers Plug-in Cards, Signal Conditioners, USB, RS232, RS485 and Parallel Port Data Acquisition Systems, Wireless Transmitters and Receivers

• Pressure, Strain and Force

Displacement Transducers, Dynamic Measurement Force Sensors, Instrumentation for Pressure and Strain Measurements, Load Cells, Pressure Gauges, Pressure Reference Section, Pressure Switches, Pressure Transducers, Proximity Transducers, Regulators, Pressure Transmitters, Strain Gauges, Torque Transducers, Valves

• Heaters

Band Heaters, Cartridge Heaters, Circulation Heaters, Comfort Heaters, Controllers, Meters and Switching Devices, Flexible Heaters, General Test and Measurement Instruments, Heater Hook-up Wire, Heating Cable Systems, Immersion Heaters, Process Air and Duct, Heaters, Radiant Heaters, Strip Heaters, Tubular Heaters