

High Accuracy Current Output Pressure Transmitter

G 1/8 or G 1/4 Connections

PXM02 Series
4 to 20 mA Output
0-160 mbar to 0-400 bar

PXM02
£535
Model Shown



Cable Model
PXM02MD0-010GI
Shown Smaller than Actual Size



micro DIN Connector Model
PXM02MC6-010GI
Shown Smaller than Actual Size

- ✓ 0.15% Accuracy
- ✓ FM Intrinsically Safe
- ✓ 5-Point Calibration Provided
- ✓ All Stainless Steel Construction
- ✓ Available in Gauge, Absolute, Sealed Gauge, psi and Metric Ranges
- ✓ Cable or Connector Models
- ✓ Optional Pressure Ports to Fit Most Industrial Applications

OMEGA's PXM02 Series transducer is a very high accuracy, low noise 4-20 mA output, industrial pressure transmitter. Its all stainless steel construction makes it suitable for harsh industrial environments. FM intrinsically safe rating is standard. A broad temperature compensated range of 16 to 71°C and excellent temperature compensation make this transmitter very stable with fluctuating temperatures.

The PXM02 is available in gauge, absolute or sealed models as well as metric or psi ranges. G 1/4 and G 1/8 fittings are available for industrial and hydraulic applications.

MOST POPULAR MODELS HIGHLIGHTED

To Order (Specify Model Number)			
Models with G 1/4 Male Pressure Connection, Cable or Connector & 4-20mA Output			
RANGE (Bar)	MODEL NUMBER	PRICE	COMPATIBLE METERS**
Gauge Pressure			
0 to 160 mbar	PXM02MC[*]-160mGI	£585	i-series™, DP25B-E
0 to 400 mbar	PXM02MC[*]-400mGI	585	i-series™, DP25B-E
0 to 1	PXM02MC[*]-001GI	585	i-series™, DP25B-E
0 to 1.6	PXM02MC[*]-1.60GI	535	i-series™, DP25B-E
0 to 2.5	PXM02MC[*]-2.50GI	535	i-series™, DP25B-E
0 to 4	PXM02MC[*]-004GI	535	i-series™, DP25B-E
0 to 6	PXM02MC[*]-006GI	535	i-series™, DP25B-E
0 to 10	PXM02MC[*]-010GI	535	i-series™, DP25B-E
0 to 16	PXM02MC[*]-016GI	535	i-series™, DP25B-E
0 to 25	PXM02MC[*]-025GI	535	i-series™, DP25B-E
0 to 40	PXM02MC[*]-040GI	535	i-series™, DP25B-E
0 to 60	PXM02MC[*]-060GI	535	i-series™, DP25B-E
0 to 100	PXM02MC[*]-100GI	535	i-series™, DP25B-E
0 to 160	PXM02MC[*]-160GI	535	i-series™, DP25B-E
0 to 250	PXM02MC[*]-250GI	535	i-series™, DP25B-E
0 to 400	PXM02MC[*]-400GI	535	i-series™, DP25B-E

[*] = insert "0" for 3 m Cable or "6" for micro DIN connector

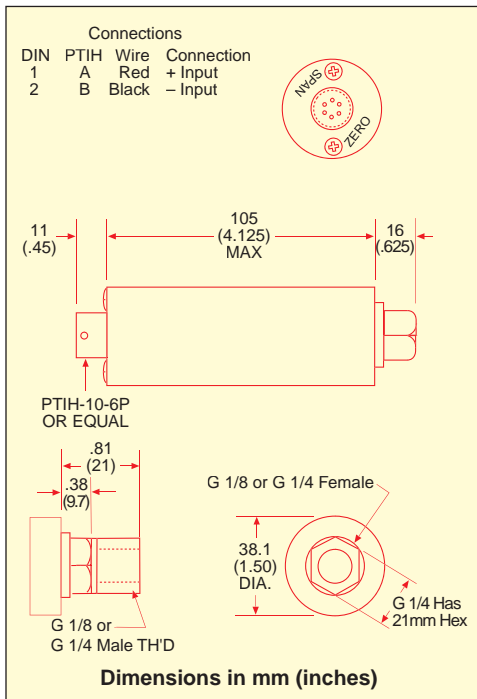
**See Section S for compatible Meters

To order Absolute Pressure replace the "G" in model number with "A" (£41 additional).
To order Sealed Gauge units replace "G" in model number with "S" (no charge).

Ordering Examples: 1.) PXM02MD6-004GI is a 4 bar gauge transducer with 4-20 mA output, micro DIN connector and G 1/4 female pressure connection, £535. Mating Connector included. 2.) PXM02MC0-010AI is a 10 bar absolute transducer with 4-20 mA output, 3 m Cable and G 1/4 male pressure connection, £535 + 41 = £576.



High Accuracy Current Output All Stainless Steel Transmitter



SPECIFICATIONS

4-20 mA OUTPUT

Excitation: 10 - 40 V dc

Output: 4-20 mA $\pm 10\%$ adj.

Zero Balance:
+4 mA +10% -2% adj.

Agency Approvals: Standard
FM Intrinsically Safe
IS/I.II.III/1/CDEFG

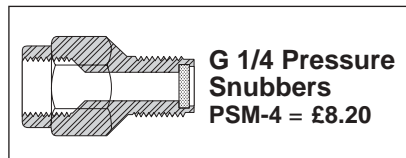
Linearity: $\pm 0.15\%$ FSO

Hysteresis: $\pm 0.05\%$ FSO

Repeatability: $\pm 0.05\%$ FSO

Sensing Element:

4 active-arm bridge, using thick film strain gauges in a hermetically sealed chamber



Operational Temp Range:
-46 to 121°C (-50 to 250°F)

Compensated Temp Range:
16 to 71°C (60 to 160°F)

Thermal Effects:

Span: 0.009% FSO/°C

Zero: 0.009% FSO/°C

Proof Pressure:

150% of rated pressure

Burst Pressure:

300% of rated pressure

Wetted Parts:

17-4 PH
Stainless Steel

Pressure Port: G 1/4 Male or
Female, G 1/8 Male or Female

Electrical Connections:

Style 0 = 3 m cable

Style 6 = micro DIN

See Custom Configurations

Mating Connector:

Style 1 = PT06F10-6S (not included)

Style 6 = included

Weight: 170 g (6 oz)

CUSTOM CONFIGURATIONS

-MODEL NUMBER SPECIFICATION:
PXM02MD0-006GI

OPTION CODES (add to end of model number)

- OL (for overload stops) (add £53)
- OX (cleaned for oxygen use) (add £62 + 2 weeks)
- []m (Optional cable length
Example:
-12m = 12 metres total of cable) (add £5.30/metre)

OUTPUT: V = 3 mV/V nominal (See Page L-27)
5T = 0 to 5 Vdc (See Page L-29)
5Z = isolated to 0 to 5 Vdc (See Page L-30)
10T = 0 to 10 Vdc
I = 4 to 20 mA

UNITS (A = absolute, S = sealed gauge, G = gauge)

RANGE

ELECTRICAL CONNECTION:

- 0 = 3 m cable
- 1 = PTIH-10-6P connector or equiv.
- 5 = lightning protection amplifier box (4-20 mA models only)
- 6 = micro DIN Connector* (*no shunt)

PRESSURE PORT: MA = G 1/8 male
MB = G 1/8 female
MC = G 1/4 male
MD = G 1/4 female

**Style 1 Mating Connector
PT06F-10-6S,
£21.75**

Ordering Examples:

1.) **PXM02MA6-010GI** is a 10 bar Gauge Pressure transducer with a G 1/8 Male fitting, a micro DIN Connector, and 4-20 mA output, **£535**. Mating Connector included.

2.) **PXM02MB0-006SI** is a 6 bar Sealed Gauge Pressure transducer with a G 1/8 Female fitting, a 3 m cable, and 4-20mA output, **£535**.

3.) **PXM02MC1-001A5T** is a 1 bar Absolute Pressure transducer with a G 1/4 Male fitting, PTIH-10-6P Connector, and 0 to 5 Vdc output, = £570 + 41 = **£611** Mating Connector (not included) order PT06F10-6S, **£21.75**.