

# Very High Accuracy Amplified Voltage Output Transducer

## G 1/8 or G 1/4 Connections

**PXM01 Series**  
**0 to 5 Vdc Output**  
**0-160 mbar to 0-400 bar**

Cable Model  
**PXM01MD0-010G5T**  
 Shown Smaller than Actual Size

PXM01  
**£685**  
 Model Shown



- ✓ **0.05% Accuracy**
- ✓ **Internal Shunt Resistor for Easy System Checks**
- ✓ **FM Intrinsically Safe**
- ✓ **5-Point Calibration Included**
- ✓ **All Stainless Steel Construction**
- ✓ **Available in Gauge, Absolute, Sealed Gauge, psi and Metric Ranges**
- ✓ **Cable or Connector Models**
- ✓ **Optional Pressure Ports to Fit Most Industrial Applications**

OMEGA's PXM01 Series transducer is a very high accuracy, amplified voltage output, industrial pressure transducer. Its all stainless steel construction makes it suitable for harsh industrial environments. FM intrinsically safe rating is standard. A broad temperature compensated range of 16 to 71°C and excellent temperature compensation make this transducer very stable with fluctuating temperatures.

The PXM01 is available in gauge, absolute or sealed models as well as metric or psi ranges. G 1/4 and G 1/8 fittings are available for industrial and hydraulic applications.



micro DIN Connector Model  
**PXM01MC6-010G5T**  
 Shown Smaller than Actual Size

### MOST POPULAR MODELS HIGHLIGHTED

<b>To Order (Specify Model Number)</b>			
<b>Models with G 1/4 Male Pressure Connection, Cable or Connector &amp; 5V Output</b>			
<b>RANGE (Bar)</b>	<b>MODEL NUMBER</b>	<b>PRICE</b>	<b>COMPATIBLE METERS**</b>
<b>Gage Pressure</b>			
0 to 160 mbar	<b>PXM01MC[*]-160mG5T</b>	<b>£740</b>	i-series™, DP25B-E
0 to 400 mbar	<b>PXM01MC[*]-400mG5T</b>	<b>740</b>	i-series™, DP25B-E
0 to 1	<b>PXM01MC[*]-001G5T</b>	<b>740</b>	i-series™, DP25B-E
0 to 1.6	<b>PXM01MC[*]-1.60G5T</b>	<b>685</b>	i-series™, DP25B-E
0 to 2.5	<b>PXM01MC[*]-2.50G5T</b>	<b>685</b>	i-series™, DP25B-E
0 to 4	<b>PXM01MC[*]-004G5T</b>	<b>685</b>	i-series™, DP25B-E
0 to 6	<b>PXM01MC[*]-006G5T</b>	<b>685</b>	i-series™, DP25B-E
0 to 10	<b>PXM01MC[*]-010G5T</b>	<b>685</b>	i-series™, DP25B-E
0 to 16	<b>PXM01MC[*]-016G5T</b>	<b>685</b>	i-series™, DP25B-E
0 to 25	<b>PXM01MC[*]-025G5T</b>	<b>685</b>	i-series™, DP25B-E
0 to 40	<b>PXM01MC[*]-040G5T</b>	<b>685</b>	i-series™, DP25B-E
0 to 60	<b>PXM01MC[*]-060G5T</b>	<b>685</b>	i-series™, DP25B-E
0 to 100	<b>PXM01MC[*]-100G5T</b>	<b>685</b>	i-series™, DP25B-E
0 to 160	<b>PXM01MC[*]-160G5T</b>	<b>685</b>	i-series™, DP25B-E
0 to 250	<b>PXM01MC[*]-250G5T</b>	<b>685</b>	i-series™, DP25B-E
0 to 400	<b>PXM01MC[*]-400G5T</b>	<b>685</b>	i-series™, DP25B-E

[\*] = insert "0" for 3 m Cable or "6" for micro DIN connector

\*\*See Section S for compatible Meters

To order Absolute Pressure replace the "G" in model number with "A" (£41 additional).  
 To order Sealed Gauge units replace "G" in model number with "S" (no charge).

**Ordering Examples:** 1.) **PXM01MD6-004G5T** is a 4 bar gauge transducer with 0-5 V output, micro DIN connector and G 1/4 female pressure connection, **£685**.

Mating Connector included.

2.) **PXM01MC0-001A5T** is a 1 bar absolute transducer with 0-5 V output, 3 m Cable and G 1/4 Male pressure connection, £740 + 41 = **£781**.

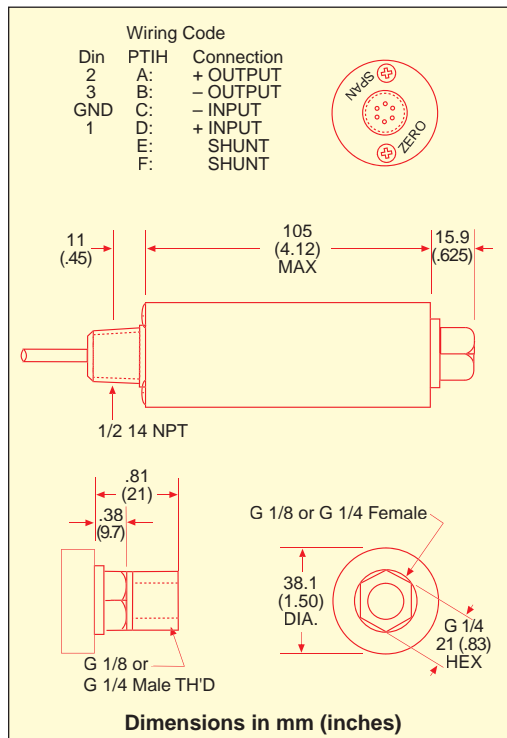
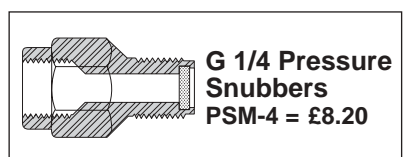


# Very High Accuracy Amplified Voltage Output All Stainless Steel Transducer

## SPECIFICATIONS:

**0-5 Vdc OUTPUT**  
**Excitation:** 24 - 32 Vdc  
**Output:** 0-5 Vdc ±10% adj  
**Linearity:** 0.05% FSO  
**Hysteresis:** 0.05% FSO  
**Repeatability:** ±0.05% FSO  
**Zero Balance:** 0 V ±10% adj  
**Agency Approvals:** Standard FM Intrinsically Safe IS/I.II.III/1/CDEFG  
**Sensing Element:** 4 active-arm bridge, using thick film strain gauges in a hermetically sealed chamber  
**Shunt Calibration Value:** Specified on Calibration sheet  
**Operational Temp Range:** -46 to 121°C (-50 to 250°F)  
**Compensated Temp Range:** 16 to 71°C (60 to 160°F)  
**Thermal Effects:**  
**Span:** 0.0036% of Rdg/°C  
**Zero:** 0.0018% of FSO/°C

**Proof Pressure:** 150% of rated pressure  
**Burst Pressure:** 300% of rated pressure  
**Wetted Parts:** 17-4PH Stainless Steel  
**Pressure Port:** G 1/4 Male Std Optional; G 1/4 Male, G 1/8 Male/Female  
**Electrical Connections:** Style 0 = 3 m cable Style 6 = micro DIN See Custom Configurations  
**Mating Connector:** Style 1 = PT06F10-6S (not included) Style 6 = included  
**Weight:** 170 g (6 oz)



## CUSTOM CONFIGURATIONS

**-MODEL NUMBER SPECIFICATION:**  
**PXM01MD0-006G5T**

**OPTION CODES (add to end of model number)**  
 -OL (for overload stops) (add £53)  
 -OX (cleaned for oxygen use) (add £62 + 2 weeks)  
 -[ ]m (Optional cable length)  
 Example:  
 -12m = 12 metres total of cable) (add £5.30/metre)

**OUTPUT:** V = 3 mV/V nominal (See Page L-33)  
 5T = 0 to 5 Vdc  
 5Z = isolated to 0 to 5 Vdc (add £45)  
 10T = 0 to 10 Vdc  
 I = 4 to 20 mA (See Page L-37)

**UNITS (A = absolute, S = sealed gauge, G = gauge)**  
**RANGE**  
**ELECTRICAL CONNECTION:**  
 0 = 3 m cable  
 1 = PTIH-10-6P connector or equiv.  
 5 = lightning protection amplifier box (4-20 mA models only)  
 6 = micro DIN Connector\* (\*no shunt)

**PRESSURE PORT:** MA = G 1/8 male  
 MB = G 1/8 female  
 MC = G 1/4 male  
 MD = G 1/4 female

**Style 1 Mating Connector PT06F10-6S, £21.75**

### Ordering Examples:

- 1.) **PXM01MA6-010G5T** is a 10 bar Gauge Pressure transducer with a G 1/8 Male fitting, a micro DIN Connector, and 0 to 5 Vdc output, **£685**. Mating Connector included.
- 2.) **PXM01MB0-006S5T** is a 6 bar Sealed Gauge Pressure transducer with a G 1/8 Female fitting, a 3 m cable, and 0 to 5 Vdc output, **£685**.
- 3.) **PXM01MC1-001A5T** is a 1 bar Absolute Pressure transducer with a G 1/4 Male fitting, PTIH-10-6P Connector, and 0 to 5 Vdc output, £740 + 41 = **£781**. Mating Connector (not included) order **PT06F10-6S, £21.75**.