

MINIATURE FLUSH DIAPHRAGM PRESSURE TRANSDUCER

1/4 NPT PRESSURE CONNECTION

PX61C Series
 mV/V Output
 0-50 to 0-5000 psi
 0-3.4 to 0-345 bar

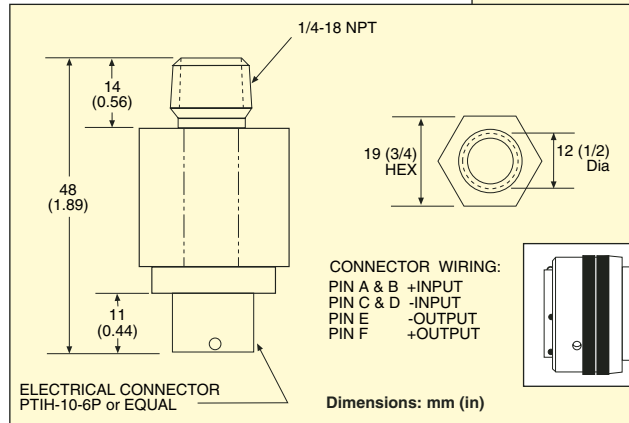
All Ranges
\$425



- ✓ Miniature Flush Diaphragm
- ✓ Flush Diaphragm for Precise Measurements
- ✓ All Welded Construction



PX61C1-050GV, \$425, shown actual size.



MOST POPULAR MODELS HIGHLIGHTED!

SPECIFICATIONS

Excitation: 5 Vdc
 Output Range: Range @ 50 psi = 1 mV/V; range >100 psi: 2 mV/V
 Bridge Resistance: 350 Ω nominal
 Zero Balance: ±1.0% of FSO
 Accuracy: 1.0% linearity and hysteresis combined; calibrated at 0%, 50%, 100%, 50%, 0%
 Repeatability: 0.1% of FSO
 Operating Temperature Range: -54 to 150°C (-65 to 300°F)
 Compensated Temperature Range: 16 to 71°C (60 to 160°F)
 Thermal Effects:
 Zero: ±0.01% FS/°F
 Span: ±0.02% FSO/°F
 Proof Pressure: 150% of capacity
 Burst Pressure: 500% of capacity or 10,000 psi, whichever is less
 Electrical Connections: PTIH-10-6P connector
 Mating Connector: PT06F-10-6S (not included)
 Pressure Connection: 1/4-18 NPT
 Wetted Parts: 17-4 PH stainless steel
 Weight: 50 g (0.55 oz)

To Order (Specify Model Number)				
RANGE	MODEL NO.	PRICE	COMPATIBLE METERS*	
ABSOLUTE PRESSURE (All Ranges Available in Absolute Pressure)				
0 to 50 psi	0 to 3.4 bar	PX61C1-050AV	\$425	DP41-S, DP25B-S
0 to 100 psi	0 to 6.9 bar	PX61C1-100AV	425	DP41-S, DP25B-S
GAGE PRESSURE (All Ranges Also Available in Sealed Gage Pressure)				
0 to 50 psi	0 to 3.4 bar	PX61C1-050GV	\$425	DP41-S, DP25B-S
0 to 100 psi	0 to 6.9 bar	PX61C1-100GV	425	DP41-S, DP25B-S
0 to 200 psi	0 to 13.8 bar	PX61C1-200GV	425	DP41-S, DP25B-S
0 to 300 psi	0 to 20.7 bar	PX61C1-300GV	425	DP41-S, DP25B-S
0 to 500 psi	0 to 34.5 bar	PX61C1-500GV	425	DP41-S, DP25B-S
0 to 1000 psi	0 to 68.9 bar	PX61C1-1KGV	425	DP41-S, DP25B-S
0 to 2500 psi	0 to 172 bar	PX61C1-2.5KGV	425	DP41-S, DP25B-S
0 to 4000 psi	0 to 276 bar	PX61C1-4KGV	425	DP41-S, DP25B-S
0 to 5000 psi	0 to 345 bar	PX61C1-5KGV	425	DP41-S, DP25B-S

Comes with 5-point calibration.
 * See section D for compatible meters. Metric ranges available – see Metric Section.
 To order sealed gage pressure models, replace “G” in model number with “S” (no extra charge).
 To order absolute pressure models, replace “G” in model number with “A” (no extra charge).
Ordering Examples: **PX61C1-100AV**, 100 psi absolute pressure transducer with **PTIH-10-6P** electrical connection and 1/4-18 NPT male pressure port, **\$425**. **PT06F-10-6S**, mating connector (not included), **\$26.50**. **PX61C1-100SV**, 100 psi sealed gage pressure transducer with **PTIH-10-6P** electrical connection and 1/4-18 NPT male pressure port, **\$425**. **PT06F-10-6S**, mating connector (not included), **\$26.50**.

ACCESSORY

MODEL NO.	PRICE	DESCRIPTION
CH-5667	\$110	Reference Book: Handbook of Mass Measurement

omega.co.uk[®]

Your One-Stop Source for Process Measurement and Control!

Freephone 0800 488 488 | International +44(0) 161 777 6622 | Fax +44(0) 161 777 6622 | Sales@omega.co.uk

www.omega.co.uk



UNITED STATES

www.omega.com

1-800-TC-OMEGA
Stamford, CT.

UNITED KINGDOM

www.omega.co.uk

Manchester, England
0800-488-488
+44-(0)161-777-6611

CANADA

www.omega.ca

Laval(Quebec)
1-800-TC-OMEGA

FRANCE

www.omega.fr

0800-466-342

GERMANY

www.omega.de

Deckenfronn, Germany
0800-8266342

BENELUX

www.omega.nl

0800-099-33-44



More than 100,000 Products Available!

• Temperature

Calibrators, Connectors, General Test and Measurement Instruments, Handheld Instruments for Temperature Measurement, Ice Point References, Indicating Labels, Crayons, Cements and Lacquers, Infrared Temperature Measurement Instruments, Recorders, Relative Humidity Measurement Instruments, PT100 Probes, PT100 Elements, Temperature & Process Meters, Timers and Counters, Temperature and Process Controllers and Power Switching Devices, Thermistor Elements, Probes and Assemblies, Thermocouples, Thermowells and Head and Well Assemblies, Transmitters, Thermocouple Wire, RTD Probes

• Flow and Level

Air Velocity Indicators, Doppler Flowmeters, Level Measurement, Magnetic Flowmeters, Mass Flowmeters, Pitot Tubes, Pumps, Rotameters, Turbine and Paddle Wheel Flowmeters, Ultrasonic Flowmeters, Valves, Variable Area Flowmeters, Vortex Shedding Flowmeters

• pH and Conductivity

Conductivity Instrumentation, Dissolved Oxygen Instrumentation, Environmental Instrumentation, pH Electrodes and Instruments, Water and Soil Analysis Instrumentation

• Data Acquisition

Communication Products and Converters, Data Acquisition and Analysis Software, Data Loggers Plug-in Cards, Signal Conditioners, USB, RS232, RS485, Ethernet and Parallel Port Data Acquisition Systems, Wireless Transmitters and Receivers

• Pressure, Strain and Force

Displacement Transducers, Dynamic Measurement Force Sensors, Instrumentation for Pressure and Strain Measurements, Load Cells, Pressure Gauges, Pressure Reference Section, Pressure Switches, Pressure Transducers, Proximity Transducers, Regulators, Pressure Transmitters, Strain Gauges, Torque Transducers, Valves

• Heaters

Band Heaters, Cartridge Heaters, Circulation Heaters, Comfort Heaters, Controllers, Meters and Switching Devices, Flexible Heaters, General Test and Measurement Instruments, Heater Hook-up Wire, Heating Cable Systems, Immersion Heaters, Process Air and Duct, Heaters, Radiant Heaters, Strip Heaters, Tubular Heaters