

WET/WET LOW DIFFERENTIAL PRESSURE TRANSMITTER

PX154 Series
Low Differential Pressure
0-1 to 0-25 inH₂O
0-250 Pa to 6 kPa

Starts at
\$349



- ✓ Low Differential Pressure Measurements
- ✓ Zero and Span Controls for Easy Adjustment
- ✓ Weatherproof NEMA 4 (IP65) Enclosure
- ✓ For Industrial Applications Requiring Wet/Wet Differential Pressure

SPECIFICATIONS

Excitation: 24 Vdc (18 to 30 Vdc)

Output: 4 to 20 mA (2-wire)

Accuracy: ±1.0% FS

Linearity: 0.75% FS

Repeatability and Hysteresis: 0.05% FS

Zero Balance: 1%

Zero and Span Adjustment: 10%

Compensated Temp: 0 to 50°C (32 to 122°F)

Thermal Effects:

Zero: ±0.03% FS/°C (±0.05% FS/°F)

Span: ±0.03% rdg/°C (±0.05% rdg/°F)

Proof Pressure: 1.3 bar (20 psi)

Common Line Pressure: 1.3 bar (20 psi)

Burst Pressure: 4 bar (60 psi)

Pressure Port: 1/8 FNPT

Media Compatibility: Liquids or gases compatible with brass, vinyl, polyester, silica and fluorosilicone

Termination: Screw terminal block

Enclosure: Epoxy coated, steel enclosure, NEMA 4 (IP65) rating

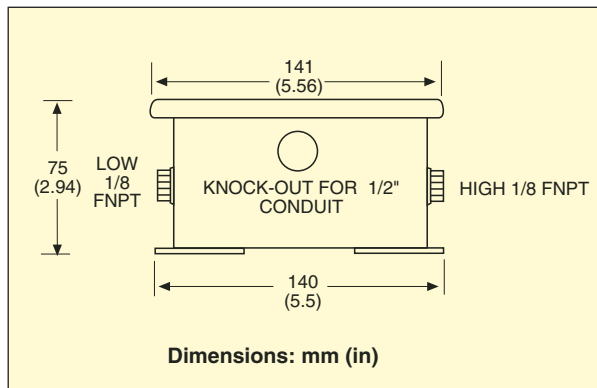
Dimensions: 141 x 75 x 100 mm (5 5/8 x 2 15/16 x 3 15/16")

Weight: 454 g (1.0 lb)



PX154-001DI, \$450, shown smaller than actual size.

PS-8 snubber, \$10, sold separately.



MOST POPULAR MODELS HIGHLIGHTED!

To Order (Specify Model Number)

MODEL NO.	PRICE	RANGE		COMPATIBLE METERS*
PX154-001DI	\$450	0 to 1 inH ₂ O	0 to 249 Pa	DP24-E, DP25B-E, DP41-E
PX154-003DI	349	0 to 3 inH ₂ O	0 to 748 Pa	DP24-E, DP25B-E, DP41-E
PX154-005DI	349	0 to 5 inH ₂ O	0 to 1.25 kPa	DP24-E, DP25B-E, DP41-E
PX154-010DI	349	0 to 10 inH ₂ O	0 to 2.49 kPa	DP24-E, DP25B-E, DP41-E
PX154-025DI	349	0 to 25 inH ₂ O	0 to 6.23 kPa	DP24-E, DP25B-E, DP41-E

Comes complete with operator's manual.

* See section D for compatible meters.

ACCESSORIES

MODEL NO.	PRICE	DESCRIPTION
PS-8G	\$10	Pressure snubber for gaseous media
PS-8E	10	Pressure snubber for water and light oils
PS-8D	10	Pressure snubber for dense liquids (motor oil)
TX4-100	28.50	30 m (100') spool of 4-conductor shielded wire
EE-0515	158	Reference Book: Electronics Engineers' Handbook

Ordering Examples: PX154-005DI, low differential pressure transmitter with range of 0 to 5.0 inH₂O differential, \$349.

PX154-001DI, low differential pressure transmitter with range of 0 to 1 inH₂O, \$349.

omega.co.uk[®]

Your One-Stop Source for Process Measurement and Control!

Freephone 0800 488 488 | International +44(0) 161 777 6622 | Fax +44(0) 161 777 6622 | Sales@omega.co.uk

www.omega.co.uk



UNITED STATES

www.omega.com

1-800-TC-OMEGA
Stamford, CT.

UNITED KINGDOM

www.omega.co.uk

Manchester, England
0800-488-488
+44-(0)161-777-6611

CANADA

www.omega.ca

Laval(Quebec)
1-800-TC-OMEGA

FRANCE

www.omega.fr

0800-466-342

GERMANY

www.omega.de

Deckenfronn, Germany
0800-8266342

BENELUX

www.omega.nl

0800-099-33-44



More than 100,000 Products Available!

• Temperature

Calibrators, Connectors, General Test and Measurement Instruments, Handheld Instruments for Temperature Measurement, Ice Point References, Indicating Labels, Crayons, Cements and Lacquers, Infrared Temperature Measurement Instruments, Recorders, Relative Humidity Measurement Instruments, PT100 Probes, PT100 Elements, Temperature & Process Meters, Timers and Counters, Temperature and Process Controllers and Power Switching Devices, Thermistor Elements, Probes and Assemblies, Thermocouples, Thermowells and Head and Well Assemblies, Transmitters, Thermocouple Wire, RTD Probes

• Flow and Level

Air Velocity Indicators, Doppler Flowmeters, Level Measurement, Magnetic Flowmeters, Mass Flowmeters, Pitot Tubes, Pumps, Rotameters, Turbine and Paddle Wheel Flowmeters, Ultrasonic Flowmeters, Valves, Variable Area Flowmeters, Vortex Shedding Flowmeters

• pH and Conductivity

Conductivity Instrumentation, Dissolved Oxygen Instrumentation, Environmental Instrumentation, pH Electrodes and Instruments, Water and Soil Analysis Instrumentation

• Data Acquisition

Communication Products and Converters, Data Acquisition and Analysis Software, Data Loggers Plug-in Cards, Signal Conditioners, USB, RS232, RS485, Ethernet and Parallel Port Data Acquisition Systems, Wireless Transmitters and Receivers

• Pressure, Strain and Force

Displacement Transducers, Dynamic Measurement Force Sensors, Instrumentation for Pressure and Strain Measurements, Load Cells, Pressure Gauges, Pressure Reference Section, Pressure Switches, Pressure Transducers, Proximity Transducers, Regulators, Pressure Transmitters, Strain Gauges, Torque Transducers, Valves

• Heaters

Band Heaters, Cartridge Heaters, Circulation Heaters, Comfort Heaters, Controllers, Meters and Switching Devices, Flexible Heaters, General Test and Measurement Instruments, Heater Hook-up Wire, Heating Cable Systems, Immersion Heaters, Process Air and Duct, Heaters, Radiant Heaters, Strip Heaters, Tubular Heaters