

FLUSH DIAPHRAGM TRANSMITTER

STAINLESS STEEL WETTED PARTS

MOUNTING FITTINGS AVAILABLE

PX103 Series

4 to 20 mA Output
0-15 to 0-20,000 psi
0-1 to 0-1300 bar

1 bar = 14.5 psi
1 kg/cm² = 14.22 psi
1 atmosphere = 14.7 psi = 29.93 inHg = 760.2 mmHg = 1.014 bar

Starts at
\$495



- ✓ All Stainless Steel
- ✓ Low-Noise 4 to 20 mA Output
- ✓ Flush Diaphragm for Hard-to-Measure Fluids
- ✓ Ideal for Tank and Level Applications

OMEGA's PX103 Series transmitters feature a rugged all stainless steel case and a high-reliability, low-noise 4 to 20 mA output. They are designed for use in critical applications in wastewater management, chemical manufacturing, water processing, tank and level operations, and other industrial applications in which a non-plugging flush diaphragm is needed.

ACCESSORY

MODEL NO.	PRICE	DESCRIPTION
ME-1756	\$110	Reference Book: Practical Injection Molding 

PX103U0-025GI, cable style, \$495, shown actual size.



PX103U1-025GI, connector style, \$495, shown actual size.



CURRENT OUTPUT
PRESSURE TRANSDUCERS
B

MOST POPULAR MODELS HIGHLIGHTED!

To Order (Specify Model Number)

RANGE	MODEL NO.	PRICE	COMPATIBLE METERS**
ABSOLUTE PRESSURE (All Ranges Available in Absolute Pressure)			
0 to 15 psi	0 to 1 bar	PX103U[*]-015AI	\$565 DP41-E, DP25B-E, DP24-E
0 to 25 psi	0 to 1.7 bar	PX103U[*]-025AI	565 DP41-E, DP25B-E, DP24-E
0 to 50 psi	0 to 3.4 bar	PX103U[*]-050AI	565 DP41-E, DP25B-E, DP24-E
GAGE PRESSURE (All Ranges Also Available in Sealed Gage Pressure)			
0 to 15 psi	0 to 1 bar	PX103U[*]-015GI	\$495 DP41-E, DP25B-E, DP24-E
0 to 25 psi	0 to 1.7 bar	PX103U[*]-025GI	495 DP41-E, DP25B-E, DP24-E
0 to 50 psi	0 to 3.4 bar	PX103U[*]-050GI	495 DP41-E, DP25B-E, DP24-E
0 to 100 psi	0 to 6.9 bar	PX103U[*]-100GI	555 DP41-E, DP25B-E, DP24-E
0 to 200 psi	0 to 13.8 bar	PX103U[*]-200GI	555 DP41-E, DP25B-E, DP24-E
0 to 500 psi	0 to 34.5 bar	PX103U[*]-500GI	555 DP41-E, DP25B-E, DP24-E
0 to 1000 psi	0 to 68.9 bar	PX103U[*]-1KGI	555 DP41-E, DP25B-E, DP24-E
0 to 2000 psi	0 to 138 bar	PX103U[*]-2KGI	555 DP41-E, DP25B-E, DP24-E
0 to 3000 psi	0 to 207 bar	PX103U[*]-3KGI	555 DP41-E, DP25B-E, DP24-E
0 to 5000 psi	0 to 345 bar	PX103U[*]-5KGI	555 DP41-E, DP25B-E, DP24-E
0 to 10,000 psi	0 to 689 bar	PX103U[*]-10KGI	555 DP41-E, DP25B-E, DP24-E
0 to 15,000 psi	0 to 1034 bar	PX103U[*]-15KGI	555 DP41-E, DP25B-E*, DP24-E
0 to 20,000 psi	0 to 1379 bar	PX103U[*]-20KGI	555 DP41-E, DP25B-E*, DP24-E

Comes with 5-point calibration.

Metric ranges available – consult Engineering.

* See section D for compatible meters.

** 4-digit meter, counts in increments of 10.

[*] To order cable style insert "0" into model number; to order connector style insert "1".

To order absolute pressure ranges, replace "G" in model number with "A" and add \$70.

To order sealed gage pressure models, replace "G" in model number with "S" (no extra charge). To order extra lead length [3 m (10') standard], add suffix "-(Length of cable in feet)" and \$2 for each foot beyond 10'.

Ordering Examples: PX103U1-100GI, 100 psi gage pressure, connector style transducer, \$555. PT06F-10-6S, mating connector (not included), \$26.50.

FLUSH DIAPHRAGM TRANSMITTER

SPECIFICATIONS

4 to 20 mA OUTPUT

Excitation: 10 to 40 Vdc

Output: 4 to 20 mA

Zero Balance: 4 mA \pm 0.2 mA

Accuracy:

<100 psi: \pm 1% linearity, hysteresis and repeatability combined

\geq 100 psi: \pm 0.5% linearity, hysteresis and repeatability combined

Operating Temp Range:

<100 psi: -40 to 82°C (-40 to 180°F)

\geq 100 psi: -46 to 121°C (-50 to 250°F)

Compensated Temp Range:

<100 psi: -1 to 54°C (30 to 130°F)

\geq 100 psi: -18 to 66°C (0 to 150°F)

Thermal Effects:

<100 psi:

Span: \pm 2% within compensated range

Zero: \pm 1% within compensated range

\geq 100 psi:

Span: 0.003% rdg/°F

Zero: 0.0045% FS/°F

Proof Pressure:

<100 psi: 200% of rated pressure

\geq 100 psi: 150% rated pressure, 30,000 psi maximum

Burst Pressure:

<100 psi: 500% of rated pressure

\geq 100 psi: 300% of rated pressure, 50,000 psi maximum

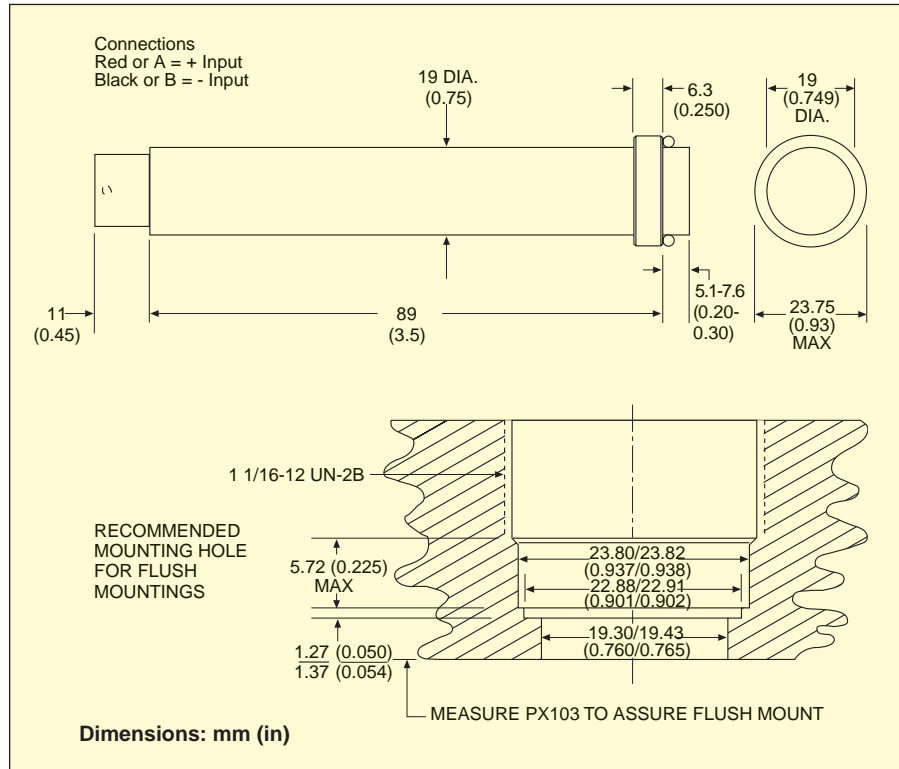
Wetted Parts:

Ranges <100 psi: 316 stainless steel

Ranges \geq 100 psi: 17-4 PH stainless steel

Pressure Port: Flush diaphragm

O-Ring: Not included #2-018



Electrical Connection:

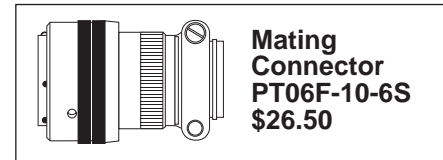
PTIH-10-6P or equal

Optional Connection:

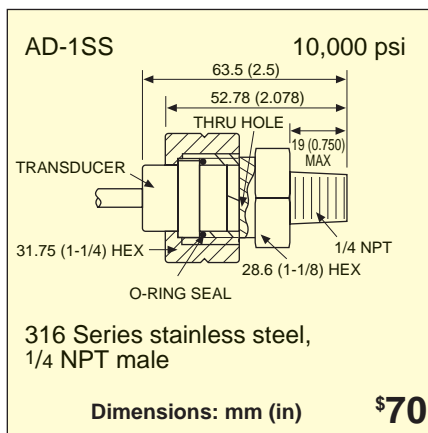
3 m (10') 2-conductor shielded PVC cable

Mating Connector:

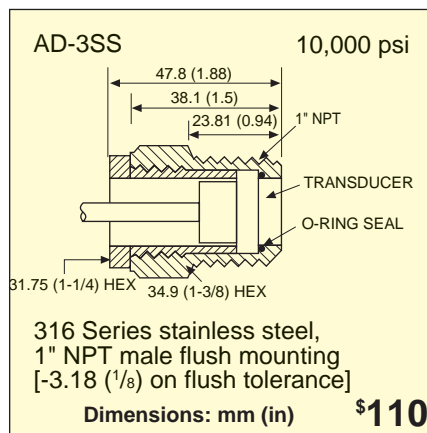
PT06F-10-6S (not included)



Flush Mount Adaptors for PX103 Series Transducers



O-Ring Provided with Each Adaptor



"O" RINGS Viton® or Polyurethane

Use for pressures under

10,000 psi:

#2-018-V

VITON®\$10/Pk of 10

Use for pressures of
10,000 psi and higher:

#2-018-P

POLYURETHANE .. \$10/Pk of 10

omega.co.uk[®]

Your One-Stop Source for Process Measurement and Control!

Freephone 0800 488 488 | International +44(0) 161 777 6622 | Fax +44(0) 161 777 6622 | Sales@omega.co.uk

www.omega.co.uk



UNITED STATES

www.omega.com

1-800-TC-OMEGA
Stamford, CT.

UNITED KINGDOM

www.omega.co.uk

Manchester, England
0800-488-488
+44-(0)161-777-6611

CANADA

www.omega.ca

Laval(Quebec)
1-800-TC-OMEGA

FRANCE

www.omega.fr

0800-466-342

GERMANY

www.omega.de

Deckenfronn, Germany
0800-8266342

BENELUX

www.omega.nl

0800-099-33-44



More than 100,000 Products Available!

• Temperature

Calibrators, Connectors, General Test and Measurement Instruments, Handheld Instruments for Temperature Measurement, Ice Point References, Indicating Labels, Crayons, Cements and Lacquers, Infrared Temperature Measurement Instruments, Recorders, Relative Humidity Measurement Instruments, PT100 Probes, PT100 Elements, Temperature & Process Meters, Timers and Counters, Temperature and Process Controllers and Power Switching Devices, Thermistor Elements, Probes and Assemblies, Thermocouples, Thermowells and Head and Well Assemblies, Transmitters, Thermocouple Wire, RTD Probes

• Flow and Level

Air Velocity Indicators, Doppler Flowmeters, Level Measurement, Magnetic Flowmeters, Mass Flowmeters, Pitot Tubes, Pumps, Rotameters, Turbine and Paddle Wheel Flowmeters, Ultrasonic Flowmeters, Valves, Variable Area Flowmeters, Vortex Shedding Flowmeters

• pH and Conductivity

Conductivity Instrumentation, Dissolved Oxygen Instrumentation, Environmental Instrumentation, pH Electrodes and Instruments, Water and Soil Analysis Instrumentation

• Data Acquisition

Communication Products and Converters, Data Acquisition and Analysis Software, Data Loggers Plug-in Cards, Signal Conditioners, USB, RS232, RS485, Ethernet and Parallel Port Data Acquisition Systems, Wireless Transmitters and Receivers

• Pressure, Strain and Force

Displacement Transducers, Dynamic Measurement Force Sensors, Instrumentation for Pressure and Strain Measurements, Load Cells, Pressure Gauges, Pressure Reference Section, Pressure Switches, Pressure Transducers, Proximity Transducers, Regulators, Pressure Transmitters, Strain Gauges, Torque Transducers, Valves

• Heaters

Band Heaters, Cartridge Heaters, Circulation Heaters, Comfort Heaters, Controllers, Meters and Switching Devices, Flexible Heaters, General Test and Measurement Instruments, Heater Hook-up Wire, Heating Cable Systems, Immersion Heaters, Process Air and Duct, Heaters, Radiant Heaters, Strip Heaters, Tubular Heaters