

VERY-HIGH-ACCURACY CURRENT OUTPUT TRANSMITTER

7/16-20 OR 1/4 NPT CONNECTIONS

PX01 Series
4 to 20 mA Output
0-2 to 0-30,000 psi
0-150 mbar to 0-2000 bar

Starts at
\$855



PX01C1-100GI,
cable/NPT model,
\$875, shown smaller
than actual size.

PX01C1-100GI,
connector/NPT model,
\$855, shown smaller
than actual size.



- ✓ 0.05% Linearity
- ✓ FM Intrinsically Safe
- ✓ 5-Point Calibration Provided
- ✓ All Stainless Steel Construction
- ✓ Hermetically Sealed Design for Harsh Environments
- ✓ Available in Gage, Absolute, Sealed Gage, psi, and Metric Ranges
- ✓ Cable or Connector Models
- ✓ Optional Pressure Ports to Fit Most Industrial Applications

OMEGA's PX01 is a very high-accuracy, low-noise, 4 to 20 mA output industrial pressure transmitter. Its all stainless steel construction and hermetically sealed case make it suitable for harsh environments. An FM Intrinsically Safe rating is standard. A broad temperature-compensated range of 15 to 71°C (60 to 160°F) makes this transmitter very stable with fluctuating temperatures.

The PX01 is available in gage, absolute, or sealed models, as well as in psi or metric ranges. NPT and 7/16-20 O-ring seal fittings are available for industrial and Hydraulic applications.

MOST POPULAR MODELS HIGHLIGHTED!

To Order (Specify Model Number)						
RANGE psi	bar	7/16-20	PRICE	1/4 NPT	PRICE	COMPATIBLE METERS*
		MODEL NO.		MODEL NO.		
ABSOLUTE PRESSURE (All Ranges Available in Absolute Pressure)						
0 to 10	0 to 0.69	PX01K1-010AI	\$975	PX01C1-010AI	\$995	DP41-E, DP25B-E
0 to 15	0 to 1.0	PX01K1-015AI	975	PX01C1-015AI	995	DP41-E, DP25B-E
0 to 20	0 to 1.4	PX01K1-020AI	975	PX01C1-020AI	995	DP41-E, DP25B-E
0 to 25	0 to 1.7	PX01K1-025AI	975	PX01C1-025AI	995	DP41-E, DP25B-E
0 to 50	0 to 3.4	PX01K1-050AI	955	PX01C1-050AI	925	DP41-E, DP25B-E
GAGE PRESSURE (All Ranges Also Available in Sealed Gage Pressure)						
0 to 2	0 to 0.14	PX01K1-002GI	\$925	PX01C1-002GI	\$945	DP41-E, DP25B-E
0 to 5	0 to 0.34	PX01K1-005GI	925	PX01C1-005GI	945	DP41-E, DP25B-E
0 to 10	0 to 0.69	PX01K1-010GI	925	PX01C1-010GI	945	DP41-E, DP25B-E
0 to 15	0 to 1.0	PX01K1-015GI	925	PX01C1-015GI	945	DP41-E, DP25B-E
0 to 50	0 to 3.4	PX01K1-050GI	855	PX01C1-050GI	875	DP41-E, DP25B-E
0 to 75	0 to 5.2	PX01K1-075GI	855	PX01C1-075GI	875	DP41-E, DP25B-E
0 to 100	0 to 6.9	PX01K1-100GI	855	PX01C1-100GI	875	DP41-E, DP25B-E
0 to 200	0 to 13.8	PX01K1-200GI	855	PX01C1-200GI	875	DP41-E, DP25B-E
0 to 300	0 to 20.7	PX01K1-300GI	855	PX01C1-300GI	875	DP41-E, DP25B-E
0 to 500	0 to 34.5	PX01K1-500GI	855	PX01C1-500GI	875	DP41-E, DP25B-E
0 to 1000	0 to 68.9	PX01K1-1KGI	855	PX01C1-1KGI	875	DP41-E, DP25B-E
0 to 1500	0 to 103	PX01K1-1.5KGI	855	PX01C1-1.5KGI	875	DP41-E, DP25B-E
0 to 2000	0 to 138	PX01K1-2KGI	855	PX01C1-2KGI	875	DP41-E, DP25B-E
0 to 3500	0 to 241	PX01K1-3.5KGI	855	PX01C1-3.5KGI	875	DP41-E, DP25B-E
0 to 5000	0 to 345	PX01K1-5KGI	855	PX01C1-5KGI	875	DP41-E, DP25B-E
0 to 7500	0 to 517	PX01K1-7.5KGI	855	PX01C1-7.5KGI	875	DP41-E, DP25B-E
0 to 10,000**	0 to 689	PX01S1-10KGI	925	not available		DP41-E, DP25B-E*
0 to 20,000**	0 to 1379	PX01S1-20KGI	925	not available		DP41-E, DP25B-E*
0 to 30,000**	0 to 2068	PX01S1-30KGI	925	not available		DP41-E, DP25B-E*

Comes with 5-point calibration.

* 4-digit meter, counts in increments of 10.

** 1/4 HP tube fitting.

† See section D for compatible meters.

To order absolute pressure, replace "G" in model number with "A" and add \$50.

To order sealed gage units, replace "G" in model number with "S" (no extra charge).

Ordering Examples: PX01K1-1KGI, 1000 psi gage transducer with 4 to 20 mA output, twist lock connector and 7/16-20 female pressure connection, \$855. PT06F-10-6S, mating connector (not included), \$26.50. PX01C0-010GI, 10 psi gage transducer with 4 to 20 mA output, 3 m (10') cable and 1/4 NPT male pressure connection, \$945.

ACCESSORY

MODEL NO.	PRICE	DESCRIPTION
CM-4356	\$93	Reference Book: Classical Feedback Control with MatLab



VERY-HIGH-ACCURACY ALL STAINLESS STEEL TRANSMITTER

SPECIFICATIONS

4 to 20 mA Output

Excitation: 10 to 40 Vdc

Output: 4 to 20 mA ±0.06 mA

Zero Balance: +4 mA ±0.02 mA

Linearity: ±0.05% FSO

Hysteresis: ±0.05% FSO

Repeatability: ±0.05% FSO

Sensing Element: 4-active-arm bridge, using thick-film strain gages in a hermetically sealed chamber (except gage units)

Operating Temp Range:

-46 to 121°C (-50 to 250°F)

Compensated Temp Range:

16 to 71°C (60 to 160°F)

Thermal Effects:

Span: 0.003% FSO/°F

Zero: 0.003% FSO/°F

Proof Pressure: 150% of rated pressure

Burst Pressure: 300% of rated pressure

Wetted Parts: 17-4 PH stainless steel

Pressure Port:

Ranges <10000 psi: 7/16-20 UNF female; also available: 1/4-18 NPT M/F; ranges 10,000 to 30,000 psi = 9/16-18, 1/4" HP tube

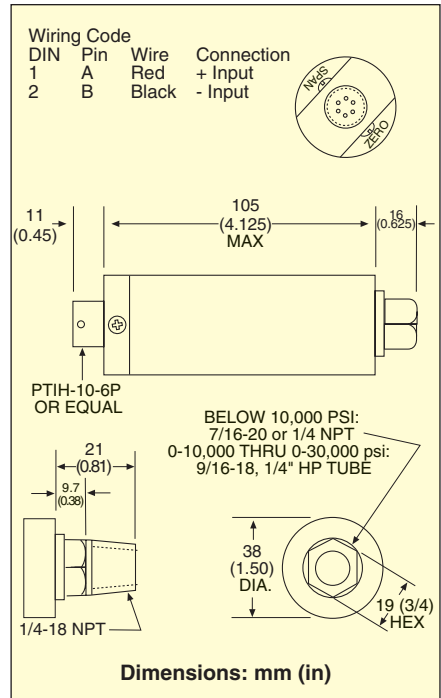
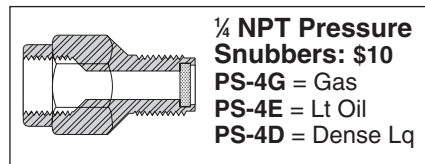
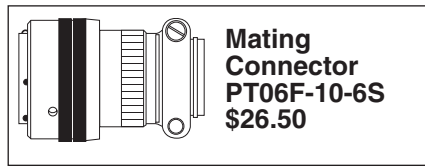
Electrical Connection:

PTIH-10-6P or equal. Also available: 3 m (10') 2-conductor cable; explosion-proof amplifier housing.

Mating Connector: PT06F-10-6S

(not included), metric ranges available

Weight: 388 g (13.7 oz)



"C" or "D" models only

CUSTOM CONFIGURATIONS

SERIES PX01	PRESSURE PORT [1]	ELECTRICAL CONNECTION [2]	RANGE (psi) [3]	UNITS [4]	OUTPUT [5]	OPTIONS [6]
	Models <10,000 psi		002*	S,G,A	V = mV/V output	OL = Overload stops
	C = 1/4-18 NPT-M +\$20		005*	S,G,A	Base price	+\$65 when available
	D = 1/4-18 NPT-F, no charge		010	S,G,A	5T = 0 to 5 Vdc output	
	J = 7/16-20 UNF-M +\$20		015	S,G,A	+\$155 all ranges	OX = Cleaned for oxygen use
	K = 7/16-20 UNF-F, no charge		020	S,G,A	10T= 0 to 10 Vdc output	+\$75 plus 2 weeks
	Models ≥10,000 psi		025	S,G,A	I = 4 to 20 mA output	
	S = 1/4 HP tube fitting, no charge		050	S,G,A	+\$175 all ranges	
			075	S,G,A		
			100	S,G,A		
	0 = 3 m (10') cable (std)		150	S,G,A		
	+\$2/ft over 3 m (10')		200	S,G,A		
	1 = PTIH-10-6P connector or equal (no charge).		250	S,G,A		
	Mating connector (not included), order		300	S,G,A		
	PT06F-10-6S		500	S,G,A		
	\$26.50		750	S,G,A		
	5 = Lightning-protected amplifier box (no charge) (4 to 20 mA models only)		1K	S,G,A		
			1.5K	S,G,A		
	6 = DIN connector		2K	S,G,A		
			3K	S,G,A		
			3.5K	S,G,A		
			5K	S,G,A		
			7.5K	S,G,A		
			10K†	S,G,A		
			20K†	S,G,A		
			30K†	S,G,A		

* 2 and 5 psi ranges available only on amplified output.
† Supplied with 1/4 HP tube fitting.
Metric ranges available – consult Engineering.

To order a custom configuration:

1. Select a pressure port
2. Select electrical connection
3. Select a pressure range
4. Select pressure units
5. Select output
6. Select options and agency approvals

See page B-12 for additional options, including extended compensated temperatures.

Ordering Examples: PX01C1-100GI, 100 psi gage pressure transducer with 1/4-18 NPT male fitting, PTIH-10-6P, connector and 4 to 20 mA output, \$680 + 175 + 20 = \$875. PT06F-10-6S, mating connector (not included), \$26.50. PX01J1-015A5T, 15 psi absolute pressure transducer with 7/16-20 UNF male fitting, PTIH-10-6P, connector 0 to 5 Vdc output, \$680 + 155 + 20 = \$855. PT06F-10-6S, mating connector (not included), \$26.50.

omega.co.uk[®]

Your One-Stop Source for Process Measurement and Control!

Freephone 0800 488 488 | International +44(0) 161 777 6622 | Fax +44(0) 161 777 6622 | Sales@omega.co.uk

www.omega.co.uk



UNITED STATES

www.omega.com

1-800-TC-OMEGA
Stamford, CT.

CANADA

www.omega.ca

Laval(Quebec)
1-800-TC-OMEGA

GERMANY

www.omega.de

Deckenfronn, Germany
0800-8266342

UNITED KINGDOM

www.omega.co.uk

Manchester, England
0800-488-488
+44-(0)161-777-6611

FRANCE

www.omega.fr

0800-466-342

BENELUX

www.omega.nl

0800-099-33-44



More than 100,000 Products Available!

• Temperature

Calibrators, Connectors, General Test and Measurement Instruments, Handheld Instruments for Temperature Measurement, Ice Point References, Indicating Labels, Crayons, Cements and Lacquers, Infrared Temperature Measurement Instruments, Recorders, Relative Humidity Measurement Instruments, PT100 Probes, PT100 Elements, Temperature & Process Meters, Timers and Counters, Temperature and Process Controllers and Power Switching Devices, Thermistor Elements, Probes and Assemblies, Thermocouples, Thermowells and Head and Well Assemblies, Transmitters, Thermocouple Wire, RTD Probes

• Flow and Level

Air Velocity Indicators, Doppler Flowmeters, Level Measurement, Magnetic Flowmeters, Mass Flowmeters, Pitot Tubes, Pumps, Rotameters, Turbine and Paddle Wheel Flowmeters, Ultrasonic Flowmeters, Valves, Variable Area Flowmeters, Vortex Shedding Flowmeters

• pH and Conductivity

Conductivity Instrumentation, Dissolved Oxygen Instrumentation, Environmental Instrumentation, pH Electrodes and Instruments, Water and Soil Analysis Instrumentation

• Data Acquisition

Communication Products and Converters, Data Acquisition and Analysis Software, Data Loggers Plug-in Cards, Signal Conditioners, USB, RS232, RS485, Ethernet and Parallel Port Data Acquisition Systems, Wireless Transmitters and Receivers

• Pressure, Strain and Force

Displacement Transducers, Dynamic Measurement Force Sensors, Instrumentation for Pressure and Strain Measurements, Load Cells, Pressure Gauges, Pressure Reference Section, Pressure Switches, Pressure Transducers, Proximity Transducers, Regulators, Pressure Transmitters, Strain Gauges, Torque Transducers, Valves

• Heaters

Band Heaters, Cartridge Heaters, Circulation Heaters, Comfort Heaters, Controllers, Meters and Switching Devices, Flexible Heaters, General Test and Measurement Instruments, Heater Hook-up Wire, Heating Cable Systems, Immersion Heaters, Process Air and Duct, Heaters, Radiant Heaters, Strip Heaters, Tubular Heaters