

# STAINLESS STEEL PRESSURE SWITCHES FOR HARSH ENVIRONMENTS DUAL 15 A SPDT SWITCHES

**PSW-370 Series**  
5 inH<sub>2</sub>O to 3000 psi

Starts at  
**\$425**



See switch accessories on page H-47 for audible alarms and relay modules.



PSW-376, \$425, shown smaller than actual size.



- ✓ All-Stainless NEMA 4X (IP66) Case Resists Industrial Corrosion
- ✓ Designed for Harsh Industrial Applications with Long-Life UL- and CSA-Rated Switches
- ✓ Ranges from 5 inH<sub>2</sub>O to 3000 psi
- ✓ Easy to Adjust with Internal Reference Scale
- ✓ PTFE or Stainless Steel Diaphragms

## SPECIFICATIONS

### Electrical Rating:

15 A: 125/250/480 Vac  
0.5 A: 125 Vdc  
0.25 A: 250 Vdc

**Switch Output:** Two SPDT switches can be wired "normally open" or "normally closed"

**Setpoint Repeatability:** ±1% range  
**Ambient and Storage Temperature:** -29 to 66°C (-20 to 150°F)

**Setpoint:** Typically shifts ±1% of range per 28°C (50°F)

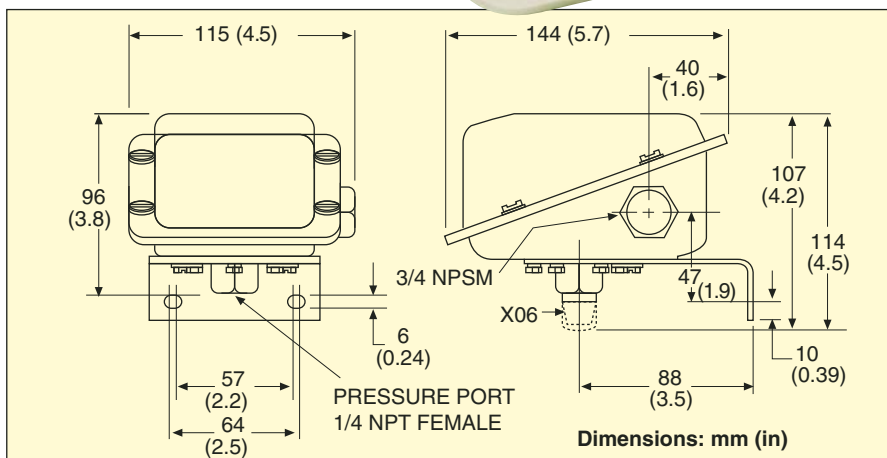
**Electrical Connections:** ¾ NPSM, 316 SS fitting

**Pressure Connections:** ¼ FNPT, 304 SS

**Wetted Parts:** inH<sub>2</sub>O and 1000 and 3000 psi ranges: PTFE and stainless steel; 15 to 600 psi ranges: stainless steel

**Enclosure:** Gasketed 316 SS, NEMA 4X (IP66) rated

**Oxygen Cleaning:** Add suffix "-X6B" to model number and \$65 to price; available on SS models only.



**MOST POPULAR MODELS HIGHLIGHTED!**

## To Order (Specify Model Number)

MODEL NO.	PRICE	DIAPHRAGM MATERIAL	ADJUSTABLE RANGE	DEADBAND STANDARD UNITS	PROOF PRESSURE
PSW-370	\$499	PTFE	5 to 30 inH <sub>2</sub> O	2.5 to 5.9	20 psi
PSW-371	499	PTFE	22 to 150 inH <sub>2</sub> O	8.4 to 19.2	20 psi
PSW-372	425	SS	3 to 15 psi	2.4 to 3.6	500 psi
PSW-373	425	SS	6 to 30 psi	2.4 to 6.8	500 psi
PSW-374	425	SS	20 to 100 psi	8.5 to 15.3	1000 psi
PSW-375	425	SS	40 to 200 psi	17 to 34	1000 psi
PSW-376	425	SS	80 to 400 psi	37.4 to 71.4	2400 psi
PSW-377	425	SS	120 to 600 psi	37.4 to 119	2400 psi
PSW-378	390	PTFE	150 to 1000 psi	84 to 216	12,000 psi
PSW-379	390	PTFE	450 to 3000 psi	301 to 418	12,000 psi

Comes with complete operator's manual.

**Ordering Example:** PSW-376, SS diaphragm, range of 80 to 400 psi, \$425.

## ACCESSORY

MODEL NO.	PRICE	DESCRIPTION
ME-0341	\$135	Reference Book: Pump Handbook



# omega.co.uk<sup>®</sup>

Your One-Stop Source for Process Measurement and Control!

Freephone 0800 488 488 | International +44(0) 161 777 6622 | Fax +44(0) 161 777 6622 | Sales@omega.co.uk

[www.omega.co.uk](http://www.omega.co.uk)



#### UNITED STATES

[www.omega.com](http://www.omega.com)

1-800-TC-OMEGA  
Stamford, CT.

#### UNITED KINGDOM

[www.omega.co.uk](http://www.omega.co.uk)

Manchester, England  
0800-488-488  
+44-(0)161-777-6611

#### CANADA

[www.omega.ca](http://www.omega.ca)

Laval(Quebec)  
1-800-TC-OMEGA

#### FRANCE

[www.omega.fr](http://www.omega.fr)

0800-466-342

#### GERMANY

[www.omega.de](http://www.omega.de)

Deckenfronn, Germany  
0800-8266342

#### BENELUX

[www.omega.nl](http://www.omega.nl)

0800-099-33-44



## More than 100,000 Products Available!

### • Temperature

Calibrators, Connectors, General Test and Measurement Instruments, Handheld Instruments for Temperature Measurement, Ice Point References, Indicating Labels, Crayons, Cements and Lacquers, Infrared Temperature Measurement Instruments, Recorders, Relative Humidity Measurement Instruments, PT100 Probes, PT100 Elements, Temperature & Process Meters, Timers and Counters, Temperature and Process Controllers and Power Switching Devices, Thermistor Elements, Probes and Assemblies, Thermocouples, Thermowells and Head and Well Assemblies, Transmitters, Thermocouple Wire, RTD Probes

### • Flow and Level

Air Velocity Indicators, Doppler Flowmeters, Level Measurement, Magnetic Flowmeters, Mass Flowmeters, Pitot Tubes, Pumps, Rotameters, Turbine and Paddle Wheel Flowmeters, Ultrasonic Flowmeters, Valves, Variable Area Flowmeters, Vortex Shedding Flowmeters

### • pH and Conductivity

Conductivity Instrumentation, Dissolved Oxygen Instrumentation, Environmental Instrumentation, pH Electrodes and Instruments, Water and Soil Analysis Instrumentation

### • Data Acquisition

Communication Products and Converters, Data Acquisition and Analysis Software, Data Loggers Plug-in Cards, Signal Conditioners, USB, RS232, RS485, Ethernet and Parallel Port Data Acquisition Systems, Wireless Transmitters and Receivers

### • Pressure, Strain and Force

Displacement Transducers, Dynamic Measurement Force Sensors, Instrumentation for Pressure and Strain Measurements, Load Cells, Pressure Gauges, Pressure Reference Section, Pressure Switches, Pressure Transducers, Proximity Transducers, Regulators, Pressure Transmitters, Strain Gauges, Torque Transducers, Valves

### • Heaters

Band Heaters, Cartridge Heaters, Circulation Heaters, Comfort Heaters, Controllers, Meters and Switching Devices, Flexible Heaters, General Test and Measurement Instruments, Heater Hook-up Wire, Heating Cable Systems, Immersion Heaters, Process Air and Duct, Heaters, Radiant Heaters, Strip Heaters, Tubular Heaters