



LOW-COST UTILITY GAUGES FOR INDUSTRIAL AND OEM MARKETS DUAL psi/bar SCALES

PGU Series

Starts at
£7.70

- ✓ Dual Scales in psi and bar
- ✓ Economically Priced
- ✓ 3-2-3% Full Scale Accuracy*
- ✓ 38, 50, 63, or 89 mm Dials (1½, 2, 2½, or 3½" Dials)
- ✓ Center Back or Lower Mount Fittings

* 3% first 1/3 of scale, 2% middle 1/3 of scale, 3% last 1/3 of scale

OMEGA's PGU Series utility gauges provide economical, reliable service in a wide range of applications including pumps, compressors, and other equipment. These gauges come in ranges of (psi/bar) 0 to 30/2, 60/4, 100/7, 160/11, 200/14, and 300/20 with an accuracy of ±3-2-3% of span.

Gauges are available in 38 mm (1½"), 50 mm (2"), 63 mm (2½"), or 89 mm (3½") steel cases with center back- or lower-mount NPT connections.

SPECIFICATIONS

Ranges (psi/bar): 0 to 30/2, 60/4, 100/7, 160/11, 200/14, 300/20

Accuracy: ±3-2-3%

Bourdon Tube: Phosphor bronze

Window: Polycarbonate

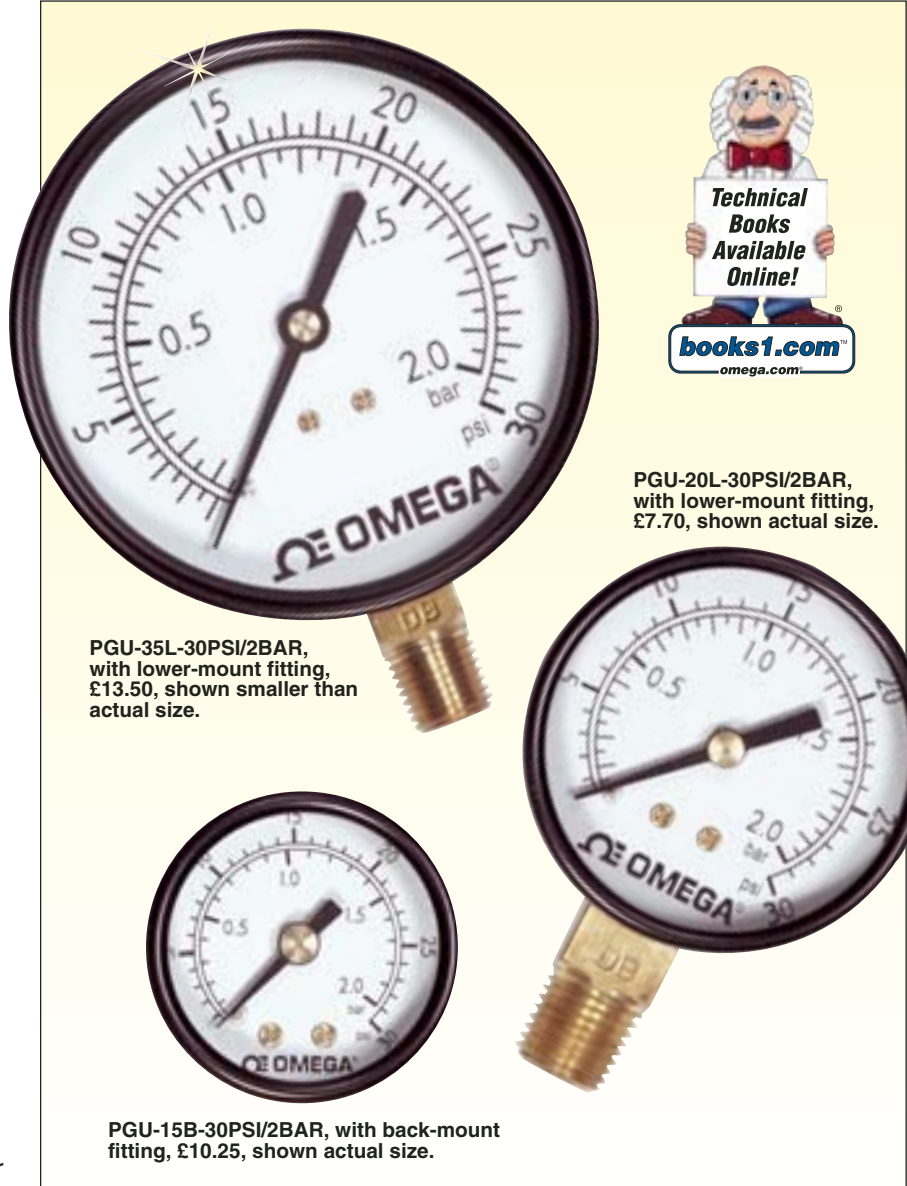
Dial: ABS

Pointer: Aluminum

Case: Painted steel

Connection: ¼ NPTM

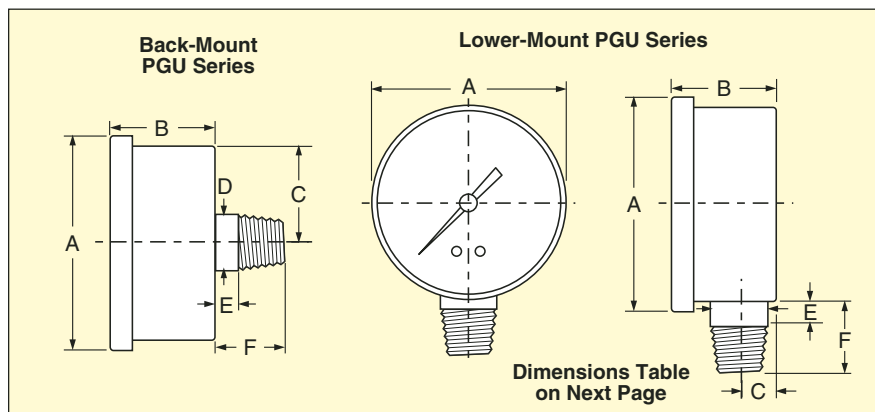
[¼ NPTM on 38 mm (1½") dials]



PGU-20L-30PSI/2BAR, with lower-mount fitting, £7.70, shown actual size.

PGU-35L-30PSI/2BAR, with lower-mount fitting, £13.50, shown smaller than actual size.

PGU-15B-30PSI/2BAR, with back-mount fitting, £10.25, shown actual size.



LOW COST UTILITY GAUGES For Industrial and OEM Markets



PGU SERIES

PGU-35L-30PSI/2BAR

PGU-20L-30PSI/2BAR



PGU-35L Series
shown with lower
mount fitting



PGU-20L Series
shown with lower
mount fitting

OMEGA's PGU series utility gauges provide economical, reliable service in a wide range of applications including pumps, compressors, and other equipment. Series PGU utility gauges come in ranges of (psi/Bar) 0-30/2, 60/4, 100/7, 160/11, 200/14, and 300/20 psi with an accuracy of $\pm 3-2-3\%$ of span.

Gauges are available in 38 mm (1½"), 50 mm (2"), 63 mm (2½"), or 89 mm (3½") steel cases with center back or lower mount NPT connections.

SPECIFICATIONS

Ranges psi/Bar: 30/2, 60/4, 100/7, 160/11, 200/14, 300/20

Accuracy: $\pm 3-2-3\%$

Bourdon Tube: Phosphor bronze

Window: Glass

Dial: ABS

Pointer: Aluminum

Case: Painted steel

Connection: ¼" NPTM

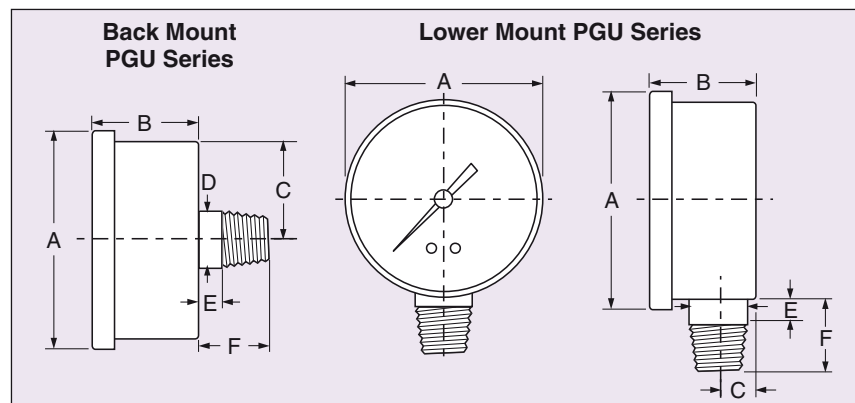
(½" NPTM on 38 mm (1½") dials)

Gauges shown
actual size

PGU-15B-30PSI/2BAR



PGU-15B Series shown
with back mount fitting





LOW-COST, LIQUID-FILLABLE UTILITY GAUGES

PGUF Series

Starts at
£11.25

- ✓ Dual Scales in psi and bar Standard
- ✓ Economically Priced
- ✓ 2.5% Full Scale Accuracy
- ✓ 38, 50, or 63 mm Dia. (1½, 2, or 2½")
- ✓ Center Back- or Lower-Mount Fittings

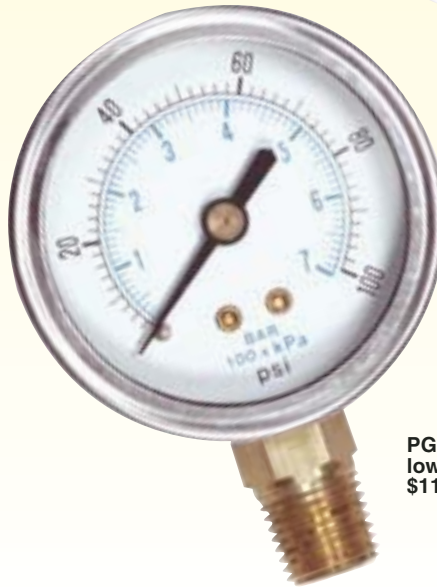
OMEGA's PGUF Series liquid-fillable utility gauges are designed for a wide range of applications on pumps, compressors, hydraulic systems, machine tools, and petrochemical processing equipment. For high-shock and vibration applications, the PGUF can be liquid-filled in the field to dampen the gauge pointer movement.

The PGUF Series liquid-fillable gauges come in ranges of (psi/bar) 0 to 30/2, 60/4, 100/7, 160/11, 300/20, 600/40, and 1000/70 [the 63 mm (2½") gauge is also available in 2000/140 and 3000/200]. Rated accuracy is ±2.5% of span.

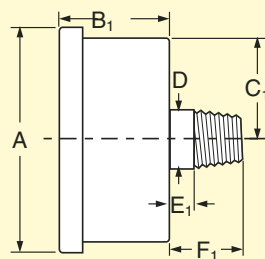
The gauges feature a corrosion-resistant 304 SS case and ring, and a durable polycarbonate window. Phosphor bronze Bourdon tubes with brass movement, socket, and NPT connections are standard. PGUF gauges are available in 38 mm (1½"), 50 mm (2"), and 63 mm (2½") designs with center back- or lower-mount NPT connections.



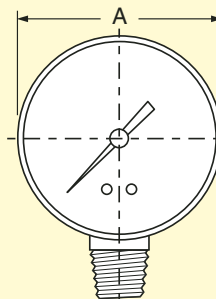
PGUF-25B-100PSI/7BAR, center back-mount gauge, £13, shown actual size.



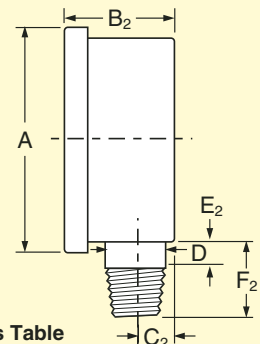
PGUF-20L-100PSI/7BAR, lower-mount gauge, \$111, shown actual size.



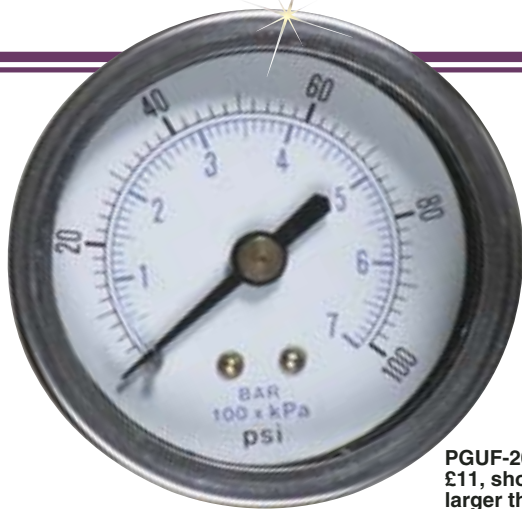
PGUF Series



Dimensions Table on Next Page



HOW TO ORDER PGUF SERIES GAUGES



PGUF-20B-100PSI/7BAR,
£11, shown slightly larger than actual size.



PGUF-25B-100PSI/7BAR,
£13, shown slightly larger than actual size.

SPECIFICATIONS

Ranges: From 30 psi/2 bar to 1000 psi/70 bar [2000 psi/140 bar and 3000 psi/200 bar ranges on 63 mm (2½") models only]

Accuracy: ±2.5%

Bourdon Tube: Phosphor bronze

Window: Polycarbonate

Dial: Galvalume white background with blue and black markings

Pointer: Galvalume black finish

Movement: Brass

Case and Ring: 304 SS

Connection: ¼ MNPT
[½ NPTM on 38 mm (1½") dials]

Seals: Buna-N

Scale: Dual scale psi/bar

Compatible Filling Liquids: Glycerin, silicone oil or mineral oil

MOST POPULAR RANGES HIGHLIGHTED!

STANDARD RANGES		
RANGE CODE	OUTER SCALE (psi)	INNER SCALE (bar)
30PSI/2BAR	0 to 30	0 to 2
60PSI/4BAR	0 to 60	0 to 4
100PSI/7BAR	0 to 100	0 to 7
160PSI/11BAR	0 to 160	0 to 11
300PSI/20BAR	0 to 300	0 to 20
600PSI/40BAR	0 to 600	0 to 40
1000PSI/70BAR	0 to 1000	0 to 70
2000PSI/140BAR*	0 to 2000	0 to 140
3000PSI/200BAR*	0 to 3000	0 to 200

* 63 mm (2½") gauges only.

Dimensions: mm (in)

DIAL SIZE	A	B1	B2	C1	C2	D	E1	E2	F1	F2
38 (1½) (CBM* only)	45.5 (1.79)	26.7 (1.05)	— —	20.9 (0.82)	— —	14.5 (0.57)	8.6 (0.34)	— —	19.6 (0.77)	— —
50 (2)	59.2 (2.33)	28.4 (1.12)	29.0 (1.14)	26.7 (1.05)	10.2 (0.40)	14.5 (0.57)	6.1 (0.24)	7.4 (0.29)	19.4 (0.76)	20.1 (0.79)
63 (2½)	70.1 (2.76)	33.8 (1.33)	33.8 (1.33)	32.3 (1.27)	11.2 (0.44)	14.5 (0.57)	11.7 (0.46)	7.6 (0.30)	25.4 (1.00)	20.8 (0.82)

* Center back mount.

To Order (Specify Model Number)

DIAL SIZE mm (in)	MODEL NO.	CONNECTION	PRICE <1000PSI/70BAR	PRICE 1000PSI/70BAR	PRICE >1000PSI/70BAR
38 (1½)	PGUF-15B-[*]	¼" back	£12.00	£12.00	N/A
50 (2)	PGUF-20L-[*]	¼" lower	11.00	13.00	N/A
50 (2)	PGUF-20B-[*]	¼" back	11.00	13.00	N/A
63 (2½)	PGUF-25L-[*]	¼" lower	13.00	15.50	£17.50
63 (2½)	PGUF-25B-[*]	¼" back	13.00	15.50	17.50

[*] Insert range code from Standard Ranges table.

Ordering Example: PGUF-20L-60PSI/4BAR, 50 mm (2") gauge with lower fitting scaled 0 to 60 psi and 0 to 4 bar, £11.00.

ACCESSORY

MODEL NO.	PRICE	DESCRIPTION
ES-2256	£84	Reference Book: Water Pumps and Pumping Systems



omega.co.uk[®]

Your One-Stop Source for Process Measurement and Control!

Freephone 0800 488 488 | International +44(0) 161 777 6622 | Fax +44(0) 161 777 6622 | Sales@omega.co.uk

www.omega.co.uk



UNITED STATES

www.omega.com

1-800-TC-OMEGA

Stamford, CT.

CANADA

www.omega.ca

Laval(Quebec)

1-800-TC-OMEGA

GERMANY

www.omega.de

Deckenpfronn, Germany

0800-8266342

UNITED KINGDOM

www.omega.co.uk

Manchester, England

0800-488-488

FRANCE

www.omega.fr

088-466-342

CZECH REPUBLIC

www.omegaeng.cz

Karviná, Czech Republic

596-311-899

BENELUX

www.omega.nl

0800-099-33-44



More than 100,000 Products Available!

• Temperature

Calibrators, Connectors, General Test and Measurement Instruments, Handheld Instruments for Temperature Measurement, Ice Point References, Indicating Labels, Crayons, Cements and Lacquers, Infrared Temperature Measurement Instruments, Recorders, Relative Humidity Measurement Instruments, PT100 Probes, PT100 Elements, Temperature & Process Meters, Timers and Counters, Temperature and Process Controllers and Power Switching Devices, Thermistor Elements, Probes and Assemblies, Thermocouples, Thermowells and Head and Well Assemblies, Transmitters, Thermocouple Wire, RTD Probes

• Flow and Level

Air Velocity Indicators, Doppler Flowmeters, Level Measurement, Magnetic Flowmeters, Mass Flowmeters, Pitot Tubes, Pumps, Rotameters, Turbine and Paddle Wheel Flowmeters, Ultrasonic Flowmeters, Valves, Variable Area Flowmeters, Vortex Shedding Flowmeters

• pH and Conductivity

Conductivity Instrumentation, Dissolved Oxygen Instrumentation, Environmental Instrumentation, pH Electrodes and Instruments, Water and Soil Analysis Instrumentation

• Data Acquisition

Auto-Dialers and Alarm Monitoring Systems, Communication Products and Converters, Data Acquisition and Analysis Software, Data Loggers Plug-in Cards, Signal Conditioners, USB, RS232, RS485 and Parallel Port Data Acquisition Systems, Wireless Transmitters and Receivers

• Pressure, Strain and Force

Displacement Transducers, Dynamic Measurement Force Sensors, Instrumentation for Pressure and Strain Measurements, Load Cells, Pressure Gauges, Pressure Reference Section, Pressure Switches, Pressure Transducers, Proximity Transducers, Regulators, Pressure Transmitters, Strain Gauges, Torque Transducers, Valves

• Heaters

Band Heaters, Cartridge Heaters, Circulation Heaters, Comfort Heaters, Controllers, Meters and Switching Devices, Flexible Heaters, General Test and Measurement Instruments, Heater Hook-up Wire, Heating Cable Systems, Immersion Heaters, Process Air and Duct, Heaters, Radiant Heaters, Strip Heaters, Tubular Heaters