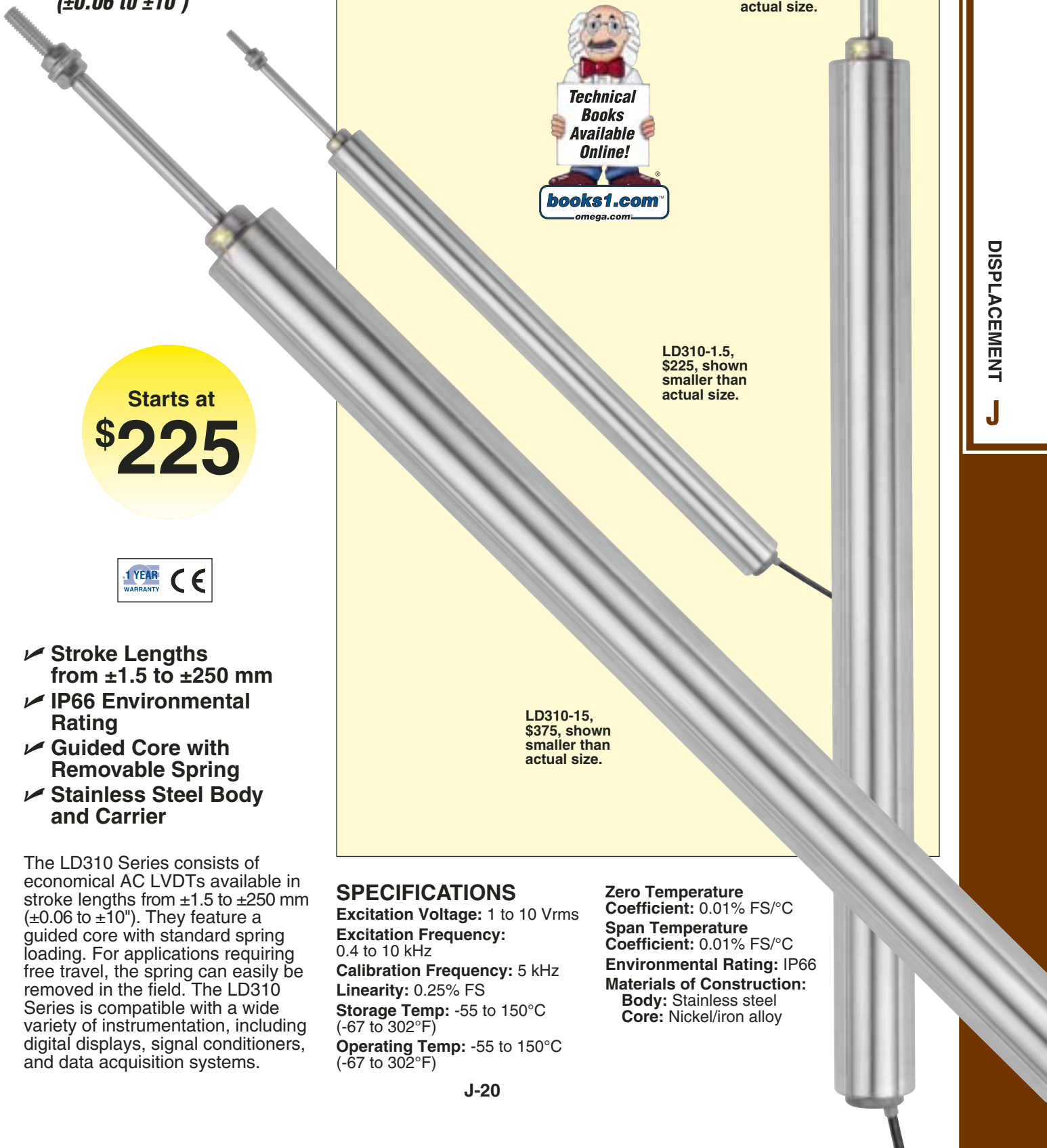


ECONOMICAL AC LVDTs

LD310 Series

± 1.5 to ± 250 mm
(± 0.06 to ± 10 ")



LD310-10,
\$350, shown
smaller than
actual size.



LD310-1.5,
\$225, shown
smaller than
actual size.

LD310-15,
\$375, shown
smaller than
actual size.

Starts at
\$225



- ✓ Stroke Lengths from ± 1.5 to ± 250 mm
- ✓ IP66 Environmental Rating
- ✓ Guided Core with Removable Spring
- ✓ Stainless Steel Body and Carrier

The LD310 Series consists of economical AC LVDTs available in stroke lengths from ± 1.5 to ± 250 mm (± 0.06 to ± 10 "). They feature a guided core with standard spring loading. For applications requiring free travel, the spring can easily be removed in the field. The LD310 Series is compatible with a wide variety of instrumentation, including digital displays, signal conditioners, and data acquisition systems.

SPECIFICATIONS

Excitation Voltage: 1 to 10 Vrms

Excitation Frequency: 0.4 to 10 kHz

Calibration Frequency: 5 kHz

Linearity: 0.25% FS

Storage Temp: -55 to 150°C
(-67 to 302°F)

Operating Temp: -55 to 150°C
(-67 to 302°F)

Zero Temperature Coefficient: 0.01% FS/°C

Span Temperature Coefficient: 0.01% FS/°C

Environmental Rating: IP66

Materials of Construction:

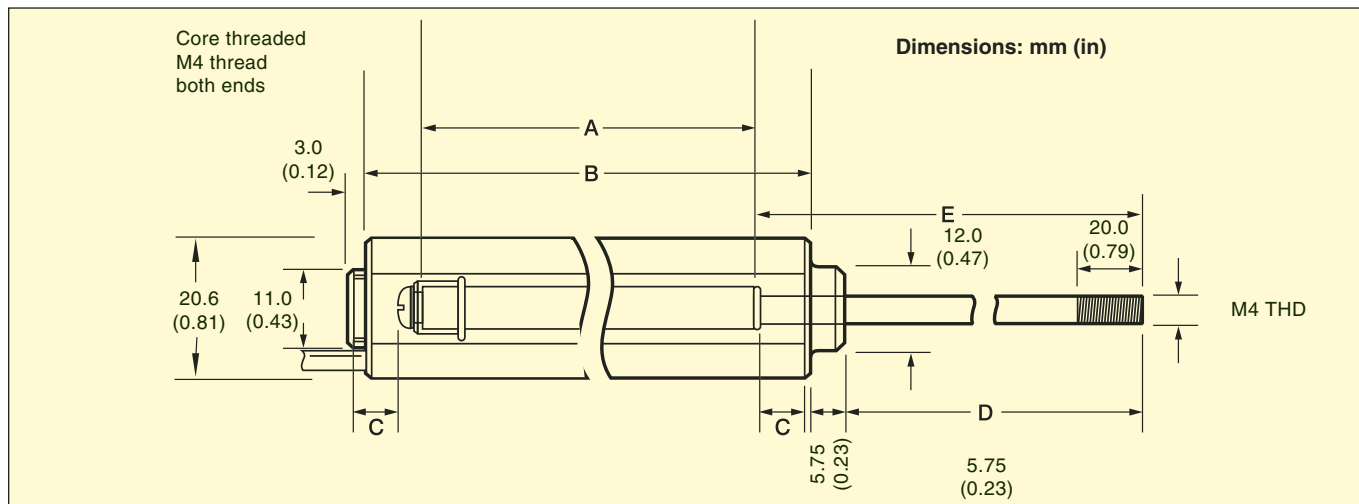
Body: Stainless steel
Core: Nickel/iron alloy

DISPLACEMENT

ECONOMICAL AC LVDTs

Dimensions: mm (in)

RANGE (in.)	1.5	2.5	5	10	15	25	50	100	250
A	20.3 (0.80)	33.0 (1.14)	42.0 (1.34)	75.0 (2.95)	88.0 (3.46)	102.0 (4.02)	135.0 (5.31)	178.0 (7.01)	216.0 (8.50)
B	28.6 (1.13)	46.3 (1.82)	62.2 (2.45)	112.5 (4.43)	141.2 (5.56)	169.9 (6.69)	256.1 (10.08)	399.7 (15.74)	787.4 (31.0)
C	3.3 (0.13)	4.1 (0.24)	7.5 (0.45)	16.2 (0.64)	24.0 (0.94)	31.4 (1.24)	58.0 (2.28)	108.3 (4.26)	283.0 (11.14)
D (@null)	32.0 (1.26)	35.5 (1.40)	46.5 (1.83)	59.5 (2.34)	68.5 (2.70)	82.5 (3.25)	128.5 (5.06)	209.5 (8.25)	448.5 (17.66)
E	42.0 (1.65)	50.0 (1.97)	66.0 (2.60)	84.0 (3.31)	100.0 (3.94)	122.0 (4.80)	195.0 (7.68)	326.0 (12.83)	740.0 (29.13)
Spring Rate gm/mm	3.03	3.03	2.42	3.51	3.07	2.05	2.99	1.68	N/A



MOST POPULAR MODELS HIGHLIGHTED!

To Order (Specify Model Number)

MODEL NO.	PRICE	RANGE: mm (in)	COMPATIBLE INSTRUMENTATION*
LD310-1.5	\$225	±1.5 (±0.06)	LDX-100, LDX-2, LDX-3A, LDX-4
LD310-2.5	250	±2.5 (±0.1)	LDX-100, LDX-2, LDX-3A, LDX-4
LD310-5	295	±5 (±0.2)	LDX-100, LDX-2, LDX-3A, LDX-4
LD310-10	350	±10 (±0.4)	LDX-100, LDX-2, LDX-3A, LDX-4
LD310-15	375	±15 (±0.5)	LDX-100, LDX-2, LDX-3A, LDX-4
LD310-25	415	±25 (±1)	LDX-100, LDX-2, LDX-3A, LDX-4
LD310-50	440	±50 (±2)	LDX-100, LDX-2, LDX-3A, LDX-4
LD310-100	630	±100 (±4)	LDX-100, LDX-2, LDX-3A, LDX-4

Comes with complete operator's manual.

* See pages J-31 through J-35 for compatible instruments.

Ordering Example: LD310-15, AC LVDT with ±15 mm (±0.5") stroke, \$375.

ACCESSORY

MODEL NO.	PRICE	DESCRIPTION
AV-1043	\$150	Reference Book: Dictionary of Scientific and Technical Terms

SPECIFICATIONS BY RANGE

DESCRIPTION	-1.5	-2.5	-5	-10	-15	-25	-50	-100
Range Suffix	-1.5	-2.5	-5	-10	-15	-25	-50	-100
Linear Stroke ±mm (±in)	1.5 (0.06)	2.5 (0.1)	5 (0.2)	10 (0.4)	15 (0.6)	25 (1)	50 (2)	100 (4)
Transducer Weight (g)	38	50	60	86	105	126	195	350
Core Weight (g)	3.8	6	7.5	15	17	20	26	35
Sensitivity @ 5 kHz mV/V/mm	158	154	108	27	16	10.8	8.2	3.0
Output Impedance @ 5 kHz (Ω)	1680	2870	3120	380	750	340	375	342

omega.co.uk[®]

Your One-Stop Source for Process Measurement and Control!

Freephone 0800 488 488 | International +44(0) 161 777 6622 | Fax +44(0) 161 777 6622 | Sales@omega.co.uk

www.omega.co.uk



UNITED STATES

www.omega.com

1-800-TC-OMEGA
Stamford, CT.

CANADA

www.omega.ca

Laval(Quebec)
1-800-TC-OMEGA

GERMANY

www.omega.de

Deckenfronn, Germany
0800-8266342

UNITED KINGDOM

www.omega.co.uk

Manchester, England
0800-488-488
+44-(0)161-777-6611

FRANCE

www.omega.fr

0800-466-342

BENELUX

www.omega.nl

0800-099-33-44



More than 100,000 Products Available!

• Temperature

Calibrators, Connectors, General Test and Measurement Instruments, Handheld Instruments for Temperature Measurement, Ice Point References, Indicating Labels, Crayons, Cements and Lacquers, Infrared Temperature Measurement Instruments, Recorders, Relative Humidity Measurement Instruments, PT100 Probes, PT100 Elements, Temperature & Process Meters, Timers and Counters, Temperature and Process Controllers and Power Switching Devices, Thermistor Elements, Probes and Assemblies, Thermocouples, Thermowells and Head and Well Assemblies, Transmitters, Thermocouple Wire, RTD Probes

• Flow and Level

Air Velocity Indicators, Doppler Flowmeters, Level Measurement, Magnetic Flowmeters, Mass Flowmeters, Pitot Tubes, Pumps, Rotameters, Turbine and Paddle Wheel Flowmeters, Ultrasonic Flowmeters, Valves, Variable Area Flowmeters, Vortex Shedding Flowmeters

• pH and Conductivity

Conductivity Instrumentation, Dissolved Oxygen Instrumentation, Environmental Instrumentation, pH Electrodes and Instruments, Water and Soil Analysis Instrumentation

• Data Acquisition

Communication Products and Converters, Data Acquisition and Analysis Software, Data Loggers Plug-in Cards, Signal Conditioners, USB, RS232, RS485, Ethernet and Parallel Port Data Acquisition Systems, Wireless Transmitters and Receivers

• Pressure, Strain and Force

Displacement Transducers, Dynamic Measurement Force Sensors, Instrumentation for Pressure and Strain Measurements, Load Cells, Pressure Gauges, Pressure Reference Section, Pressure Switches, Pressure Transducers, Proximity Transducers, Regulators, Pressure Transmitters, Strain Gauges, Torque Transducers, Valves

• Heaters

Band Heaters, Cartridge Heaters, Circulation Heaters, Comfort Heaters, Controllers, Meters and Switching Devices, Flexible Heaters, General Test and Measurement Instruments, Heater Hook-up Wire, Heating Cable Systems, Immersion Heaters, Process Air and Duct, Heaters, Radiant Heaters, Strip Heaters, Tubular Heaters