

PLATFORM LOAD CELL FOR WASHDOWN APPLICATIONS



LCMAD-250, £332, shown smaller than actual size.

LCMAD Series Compression

0-25 kgf to 0-500 kgf
0-55 lb to 0-1100 lb

1 Newton = 0.2248 lb
1 daNewton = 10 Newtons
1 lb = 454 g
1 t = 1000 kg = 2204 lb

All Models
£332

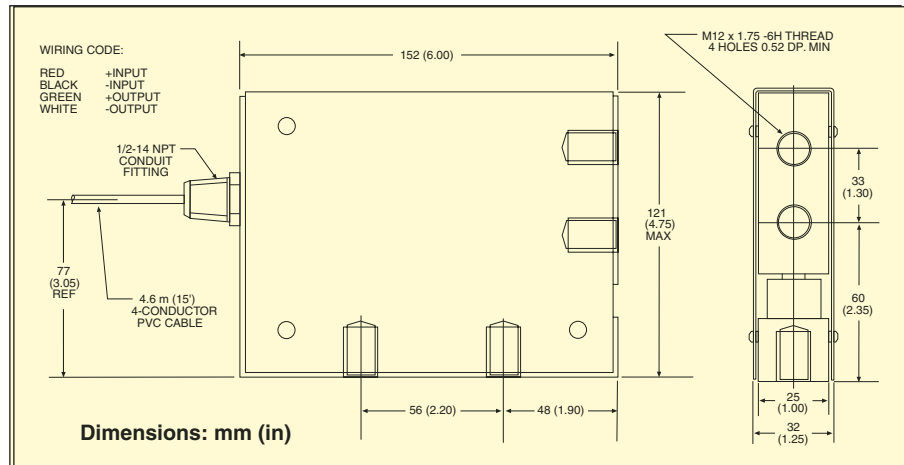


- ✓ Hermetically Sealed for Washdown Applications
- ✓ All Stainless Steel Construction
- ✓ High 0.02% Linearity FSO
- ✓ Low 0.03% Creep FSO
- ✓ Heavy-Duty Construction for Weighing Applications
- ✓ Built-In Overload Stops

The LCMAD Series platform load cells are hermetically sealed and designed for applications such as industrial food processing and weighing and automated weighing stations, where high accuracy and watertightness are important. The all stainless steel construction and rugged design make the LCMAD load cells accurate and reliable even in washdown areas.

SPECIFICATIONS

Output: 2.1 mV/V ±0.1mV/V
Zero Balance: ±2.0% FSO
Excitation: 10 Vdc (15V max)
Linearity: ±0.02% FSO
Hysteresis: ±0.02% FSO
Repeatability: ±0.02% FSO
Creep: ±0.03% FSO (20 min)
Operating Temp Range: -51 to 93°C



Compensated Temp Range: 16 to 71°C

Thermal Effects:

Zero: ±0.0036% FSO/°C
Span: ±0.0018% rdg/°C

Overload to Stops: 225% of capacity

Ultimate Overload: 500% of capacity

Input Resistance: 350 minimum

Output Resistance: 350 minimum

Construction: 17-4 PH stainless steel

Electrical: 4.6 m 4-conductor screened PVC cable

Protection Rating: IP68

MOST POPULAR MODELS HIGHLIGHTED!

To Order (Specify Model Number)

CAPACITY	MODEL NO.	PRICE	COMPATIBLE METERS*
25 kgf 55 lb	LCMAD-25	£332	DPiS, DP41-S, DP25B-S
50 kgf 110 lb	LCMAD-50	332	DPiS, DP41-S, DP25B-S
250 kgf 550 lb	LCMAD-250	332	DPiS, DP41-S, DP25B-S
500 kgf 1100 lb	LCMAD-500	332	DPiS, DP41-S, DP25B-S

Comes with 5-point traceable calibration.

* See page 291 for compatible meters.

Ordering Examples: LCMAD-50, 50 kgf capacity hermetically sealed platform load cell with 4.6 m cable, £332. LCMAD-250, 250 kgf capacity hermetically sealed platform load cell with 4.6 m cable, £332.

ACCESSORY

MODEL NO.	PRICE	DESCRIPTION
ME-1804	£84	Reference Book: Mechanical Design Handbook

omega.co.uk[®]

Your One-Stop Source for Process Measurement and Control!

Freephone 0800 488 488 | International +44(0) 161 777 6622 | Fax +44(0) 161 777 6622 | Sales@omega.co.uk

www.omega.co.uk



UNITED STATES

www.omega.com

1-800-TC-OMEGA

Stamford, CT.

CANADA

www.omega.ca

Laval(Quebec)

1-800-TC-OMEGA

GERMANY

www.omega.de

Deckenpfronn, Germany

0800-8266342

UNITED KINGDOM

www.omega.co.uk

Manchester, England

0800-488-488

FRANCE

www.omega.fr

088-466-342

CZECH REPUBLIC

www.omegaeng.cz

Karviná, Czech Republic

596-311-899

BENELUX

www.omega.nl

0800-099-33-44



More than 100,000 Products Available!

• Temperature

Calibrators, Connectors, General Test and Measurement Instruments, Handheld Instruments for Temperature Measurement, Ice Point References, Indicating Labels, Crayons, Cements and Lacquers, Infrared Temperature Measurement Instruments, Recorders, Relative Humidity Measurement Instruments, PT100 Probes, PT100 Elements, Temperature & Process Meters, Timers and Counters, Temperature and Process Controllers and Power Switching Devices, Thermistor Elements, Probes and Assemblies, Thermocouples, Thermowells and Head and Well Assemblies, Transmitters, Thermocouple Wire, RTD Probes

• Flow and Level

Air Velocity Indicators, Doppler Flowmeters, Level Measurement, Magnetic Flowmeters, Mass Flowmeters, Pitot Tubes, Pumps, Rotameters, Turbine and Paddle Wheel Flowmeters, Ultrasonic Flowmeters, Valves, Variable Area Flowmeters, Vortex Shedding Flowmeters

• pH and Conductivity

Conductivity Instrumentation, Dissolved Oxygen Instrumentation, Environmental Instrumentation, pH Electrodes and Instruments, Water and Soil Analysis Instrumentation

• Data Acquisition

Auto-Dialers and Alarm Monitoring Systems, Communication Products and Converters, Data Acquisition and Analysis Software, Data Loggers Plug-in Cards, Signal Conditioners, USB, RS232, RS485 and Parallel Port Data Acquisition Systems, Wireless Transmitters and Receivers

• Pressure, Strain and Force

Displacement Transducers, Dynamic Measurement Force Sensors, Instrumentation for Pressure and Strain Measurements, Load Cells, Pressure Gauges, Pressure Reference Section, Pressure Switches, Pressure Transducers, Proximity Transducers, Regulators, Pressure Transmitters, Strain Gauges, Torque Transducers, Valves

• Heaters

Band Heaters, Cartridge Heaters, Circulation Heaters, Comfort Heaters, Controllers, Meters and Switching Devices, Flexible Heaters, General Test and Measurement Instruments, Heater Hook-up Wire, Heating Cable Systems, Immersion Heaters, Process Air and Duct, Heaters, Radiant Heaters, Strip Heaters, Tubular Heaters