

HIGH-ACCURACY, LOW-PROFILE COMPRESSION LOAD CELL FOR INDUSTRIAL WEIGHING APPLICATIONS

LCM401 (Cable Style)
LCM411 (Connector Style)
Compression
0-25 kgf to 0-5000 kgf

Starts at
£399



Mating connector required,
PT06F10-6S, £17.75, see next
page for details.

LCM411-5K, connector style, £530, shown smaller than actual size.

Models Available
with Dual Bridge
or In-Line Amplifier!
See Next Page
for Details.



- ✓ Dual-Bridge Models Available
- ✓ Models Available with Built-In 5V Amplifiers
- ✓ All Stainless Steel for Harsh Industrial Applications
- ✓ 0.25% Interchangeability for Multiple Load Cell Applications
- ✓ 5-Point Calibration Provided

SPECIFICATIONS

Excitation: 10 Vdc (15 Vdc max)
Output: 3 mV/V $\pm 0.25\%$
5-Point Calibration: Calibrated at 0%, 50%, 100%, 50%, 0%
Linearity:
>1500 kg: 0.10% FSO
1500 kg: 0.13% FSO
Hysteresis:
>1500 kg: 0.10% FSO
1500 kg: 0.12% FSO
Repeatability: 0.05% FSO
Zero Balance: $\pm 1\%$ FSO
Agency Approval: FM Intrinsically Safe IS/I.II.III/1/CDEFG (standard)
Protection Class: IP65

Operating Temp Range:
-54 to 107°C

Compensated Temp Range:
16 to 71°C

Thermal Effects:
Zero: 0.0045% FSO/°C
Span: 0.0063% FSO/°C

Safe Overload: 150% of capacity
Ultimate Overload: 300% of capacity
Bridge Resistance: 350 $\pm 5 \Omega$

FS Deflection: 0.025 to 0.076 mm typical
Construction: 17-4 PH stainless steel

Electrical Connection:
LCM401: 4.6 m 4-conductor screened cable
LCM411: PTIH-10-6P twist-lock connector (or equivalent)

Mating Connector: PT06F10-6S, £17.75 (not included)

MOST POPULAR MODELS HIGHLIGHTED!

To Order (Specify Model Number)

CAPACITY		MODEL NO.		PRICE	COMPATIBLE METERS*
kgf	lbf	CABLE	CONNECTOR		
25	55	LCM401-25	LCM411-25	£399	iSeries, DP41-B, DP25B-S
50	110	LCM401-50	LCM411-50	399	iSeries, DP41-B, DP25B-S
100	220	LCM401-100	LCM411-100	399	iSeries, DP41-B, DP25B-S
150	331	LCM401-150	LCM411-150	399	iSeries, DP41-B, DP25B-S
250	551	LCM401-250	LCM411-250	399	iSeries, DP41-B, DP25B-S
500	1102	LCM401-500	LCM411-500	399	iSeries, DP41-B, DP25B-S
750	1653	LCM401-750	LCM411-750	425	iSeries, DP41-B, DP25B-S
1000	2205	LCM401-1K	LCM411-1K	425	iSeries, DP41-B, DP25B-S
1500	3307	LCM401-1.5K	LCM411-1.5K	425	iSeries, DP41-B, DP25B-S
2500	5512	LCM401-2.5K	LCM411-2.5K	425	iSeries, DP41-B, DP25B-S
5000	11,023	LCM401-5K	LCM411-5K	530	iSeries, DP41-B, DP25B-S

Comes with 5-point traceable calibration.

* See page 291 for compatible meters.

To order dual-bridge models, add suffix "-DUAL" to model number; for 1500 kg, add £168; for >1500 kg, add £235. To order optional 0 to 5V output, add suffix "-5V" to model number and £90 to price.

Ordering Examples: LCM401-500, 500 kgf capacity cable-style load cell, £399.
LCM401-2.5K-DUAL, 2500 kgf capacity cable-style dual-bridge load cell, £425 + 235 = £660.
PT06F10-6S, mating connector (2 required on dual-bridge models), not included, £17.75 ea.

ACCESSORY

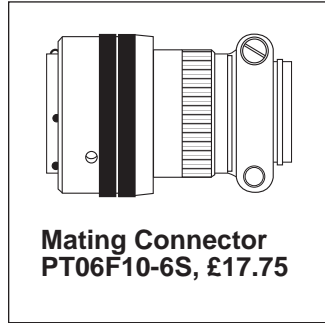
MODEL NO.	PRICE	DESCRIPTION
ME-1708	£107	Reference Book: Handbook of Mechanical Engineering

PRESSURE, STRAIN AND FORCE

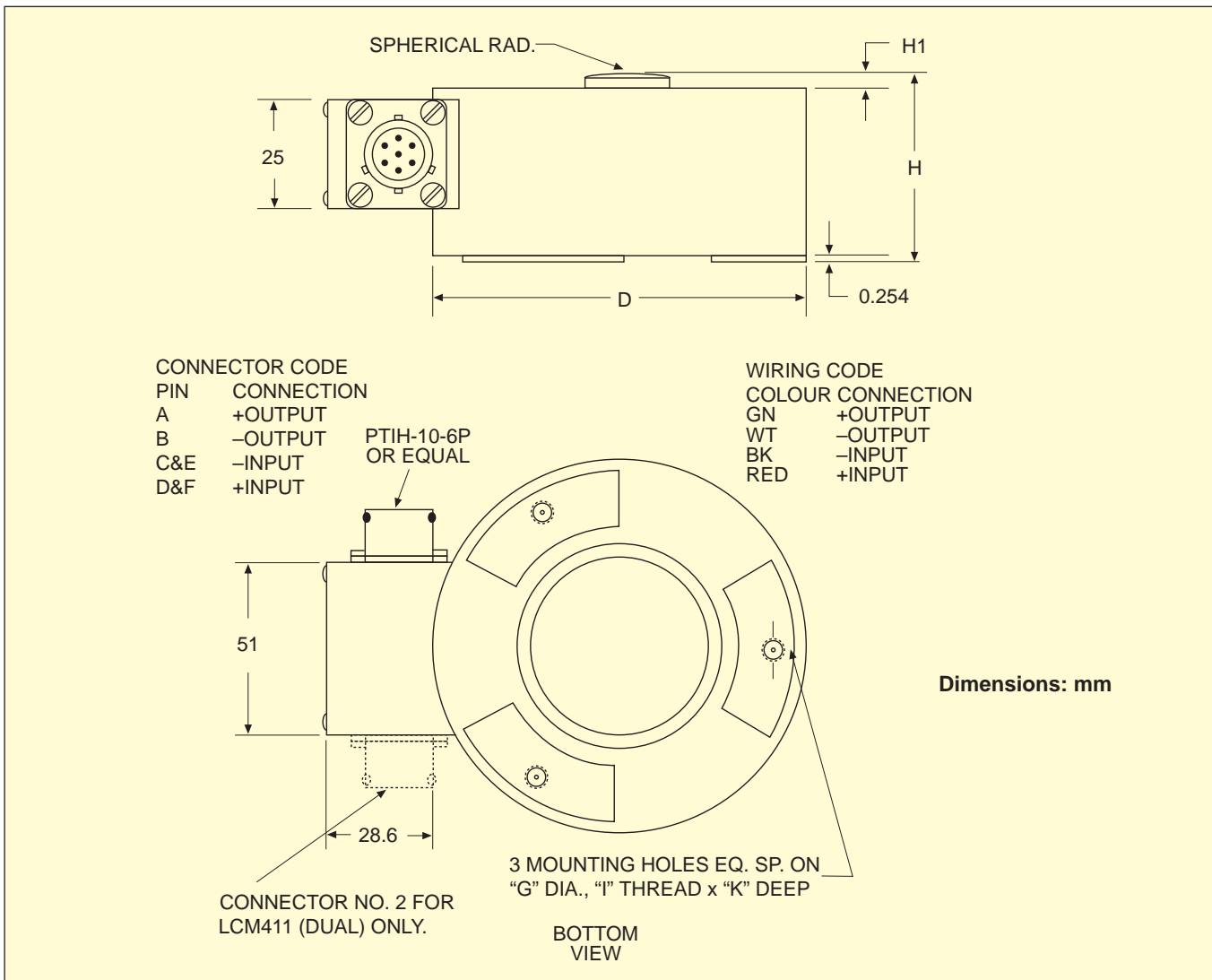
LOW-PROFILE COMPRESSION LOAD CELLS FOR INDUSTRIAL WEIGHING APPLICATIONS

POPULAR OPTIONS

0 to 5 Vdc In-Line Amplifier "5V"		Price	
Overload Stops: "-OL"		£117.00	Consult Sales
Dual Bridge:			
1500 kg	"-DUAL"	168.00	
>1500 kg	"-DUAL"	235.00	
Extended Temperature Range:			
-45 to 93°C	"-TC1"	33.50	
-45 to 177°C	"-TC2"	151.00	
Watertight Cable Exit: "-WTC"		84.00	
Additional Cable Length:		6.50/m	



LCM411-5K, connector style, £530, shown smaller than actual size.



Dimensions: mm

CAPACITY kgf	D	H	H1	K	G	I
25 to 5000	66	32	2.3	6.4	56	M4 x 0.7



UNITED STATES

www.omega.com

1-800-TC-OMEGA

Stamford, CT.

CANADA

www.omega.ca

Laval(Quebec)

1-800-TC-OMEGA

GERMANY

www.omega.de

Deckenpfronn, Germany

0800-8266342

UNITED KINGDOM

www.omega.co.uk

Manchester, England

0800-488-488

FRANCE

www.omega.fr

088-466-342

CZECH REPUBLIC

www.omegaeng.cz

Karviná, Czech Republic

596-311-899

BENELUX

www.omega.nl

0800-099-33-44



More than 100,000 Products Available!

• Temperature

Calibrators, Connectors, General Test and Measurement Instruments, Handheld Instruments for Temperature Measurement, Ice Point References, Indicating Labels, Crayons, Cements and Lacquers, Infrared Temperature Measurement Instruments, Recorders, Relative Humidity Measurement Instruments, PT100 Probes, PT100 Elements, Temperature & Process Meters, Timers and Counters, Temperature and Process Controllers and Power Switching Devices, Thermistor Elements, Probes and Assemblies, Thermocouples, Thermowells and Head and Well Assemblies, Transmitters, Thermocouple Wire, RTD Probes

• Flow and Level

Air Velocity Indicators, Doppler Flowmeters, Level Measurement, Magnetic Flowmeters, Mass Flowmeters, Pitot Tubes, Pumps, Rotameters, Turbine and Paddle Wheel Flowmeters, Ultrasonic Flowmeters, Valves, Variable Area Flowmeters, Vortex Shedding Flowmeters

• pH and Conductivity

Conductivity Instrumentation, Dissolved Oxygen Instrumentation, Environmental Instrumentation, pH Electrodes and Instruments, Water and Soil Analysis Instrumentation

• Data Acquisition

Auto-Dialers and Alarm Monitoring Systems, Communication Products and Converters, Data Acquisition and Analysis Software, Data Loggers Plug-in Cards, Signal Conditioners, USB, RS232, RS485 and Parallel Port Data Acquisition Systems, Wireless Transmitters and Receivers

• Pressure, Strain and Force

Displacement Transducers, Dynamic Measurement Force Sensors, Instrumentation for Pressure and Strain Measurements, Load Cells, Pressure Gauges, Pressure Reference Section, Pressure Switches, Pressure Transducers, Proximity Transducers, Regulators, Pressure Transmitters, Strain Gauges, Torque Transducers, Valves

• Heaters

Band Heaters, Cartridge Heaters, Circulation Heaters, Comfort Heaters, Controllers, Meters and Switching Devices, Flexible Heaters, General Test and Measurement Instruments, Heater Hook-up Wire, Heating Cable Systems, Immersion Heaters, Process Air and Duct, Heaters, Radiant Heaters, Strip Heaters, Tubular Heaters