

MINIBEAM LOAD CELLS

EXCEPTIONAL ACCURACY

LCEB Series

Compression
5 lb to 250 lb
2.3 kg to 114 kg

Starts at
\$160



- ✓ Very High Precision
- ✓ Low Profile—1" Height
- ✓ High Repeatability
- ✓ 100% Creep Tested

LCEB load cells offer exceptional accuracy in compression when deployed in controlled environments (in general, anywhere a digital readout is used). Their high accuracy, small size, low creep, and excellent temperature compensation make them excellent choices for force testing, thrust measurements, check weighing, and scale applications.

SPECIFICATIONS

Excitation: 10 Vdc (15 V max)

Output: 3 mV/V nominal

Calibration: NIST-traceable

Linearity: ±0.03% FS

Hysteresis: ±0.02% FS

Repeatability: ±0.01% FS

Creep (after 20 min): ±0.15%

Zero Balance: ±1% FS

Operating Temp Range:

-55 to 90°C (-65 to 200°F)

Compensated Temp Range:

-15 to 65°C (0 to 150°F)

Thermal Effects:

Zero: ±0.0015% rdg/°F max

Span: ±0.0008% FS/°F max

Safe Overload: ±150% of capacity

Ultimate Overload: ±400% of capacity

Input Resistance: 350 Ω +50/-3.5 Ω

Output Resistance: 350 Ω ±3.5 Ω

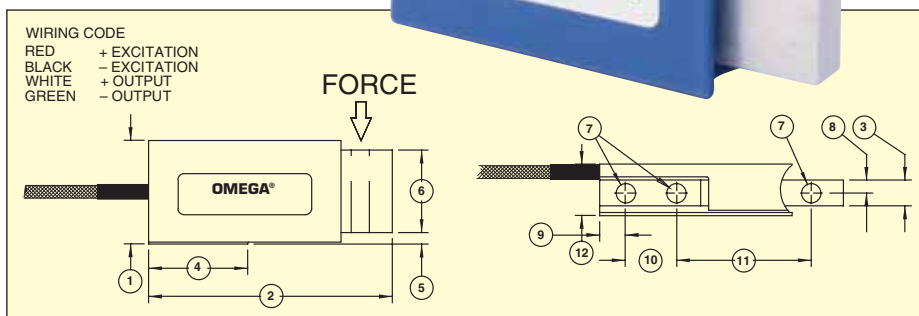
Construction: High-carbon steel

Electrical: 1.5 m (5') insulated

4-conductor shielded color-coded cable



LCEB-10, \$255, shown actual size.



Dimensions in inches and mm

See Drawing Above	CAPACITY (lb)													
	5, 10		25		50		75		100		150		250	
	inch	mm	inch	mm	inch	mm	inch	mm	inch	mm	inch	mm	inch	mm
①	1.01	25.7	1.01	25.7	1.01	25.7	1.01	25.7	1.01	25.7	1.01	25.7	1.02	25.9
②	2.38	60.5	2.38	60.5	2.38	60.5	2.38	60.5	2.38	60.5	2.38	60.5	2.38	60.5
③	0.25	6.4	0.25	6.4	0.25	6.4	0.25	6.4	0.25	6.4	0.25	6.4	0.5	12.8
④	0.97	24.6	0.97	24.6	0.97	24.6	0.97	24.6	0.97	24.6	0.97	24.6	0.97	24.6
⑤	0.14	3.6	0.11	2.8	0.15	3.8	0.14	3.6	0.13	3.3	0.1	2.5	0.12	3
⑥	0.75	19.1	0.81	20.6	0.72	18.3	0.75	19.1	0.78	19.8	0.82	20.8	0.79	20.1
⑦	0.17	4.3	0.17	4.3	0.17	4.3	0.17	4.3	0.17	4.3	0.17	4.3	0.17	4.3
⑧	0.13	6.4	0.13	6.4	0.13	6.4	0.13	6.4	0.13	6.4	0.13	6.4	0.25	6.4
⑨	0.25	6.4	0.25	6.4	0.25	6.4	0.25	6.4	0.25	6.4	0.25	6.4	0.25	6.4
⑩	0.50	12.7	0.50	12.7	0.50	12.7	0.50	12.7	0.50	12.7	0.50	12.7	0.50	12.7
⑪	1.31	33.3	1.31	33.3	1.31	33.3	1.31	33.3	1.31	33.3	1.31	33.3	1.31	33.3
⑫	0.50	12.7	0.50	12.7	0.50	12.7	0.50	12.7	0.50	12.7	0.50	12.7	0.75	19.1

MOST POPULAR MODELS HIGHLIGHTED!

To Order (Specify Model Number)

CAPACITY	MODEL NO.	PRICE	COMPATIBLE METERS*
5 lb	LCEB-5	\$225	DPiS, DP41-S, DP25B-S
10 lb	LCEB-10	225	DPiS, DP41-S, DP25B-S
25 lb	LCEB-25	170	DPiS, DP41-S, DP25B-S
50 lb	LCEB-50	160	DPiS, DP41-S, DP25B-S
75 lb	LCEB-75	160	DPiS, DP41-S, DP25B-S
100 lb	LCEB-100	160	DPiS, DP41-S, DP25B-S
150 lb	LCEB-150	160	DPiS, DP41-S, DP25B-S
250 lb	LCEB-250	175	DPiS, DP41-S, DP25B-S

* See section D for compatible meters. DPiS meter suitable for one direction measurement only.

Ordering Examples: LCEB-10, 10 lb capacity load cell, \$225. LCEB-100, 100 lb capacity load cell, \$160.

ACCESSORY

MODEL NO.	PRICE	DESCRIPTION
ME-0013	\$275	Reference Book: Mechanical Engineer's Handbook

omega.co.uk[®]

Your One-Stop Source for Process Measurement and Control!

Freephone 0800 488 488 | International +44(0) 161 777 6622 | Fax +44(0) 161 777 6622 | Sales@omega.co.uk

www.omega.co.uk



UNITED STATES

www.omega.com

1-800-TC-OMEGA
Stamford, CT.

UNITED KINGDOM

www.omega.co.uk

Manchester, England
0800-488-488
+44-(0)161-777-6611

CANADA

www.omega.ca

Laval(Quebec)
1-800-TC-OMEGA

FRANCE

www.omega.fr

0800-466-342

GERMANY

www.omega.de

Deckenfronn, Germany
0800-8266342

BENELUX

www.omega.nl

0800-099-33-44



More than 100,000 Products Available!

• Temperature

Calibrators, Connectors, General Test and Measurement Instruments, Handheld Instruments for Temperature Measurement, Ice Point References, Indicating Labels, Crayons, Cements and Lacquers, Infrared Temperature Measurement Instruments, Recorders, Relative Humidity Measurement Instruments, PT100 Probes, PT100 Elements, Temperature & Process Meters, Timers and Counters, Temperature and Process Controllers and Power Switching Devices, Thermistor Elements, Probes and Assemblies, Thermocouples, Thermowells and Head and Well Assemblies, Transmitters, Thermocouple Wire, RTD Probes

• Flow and Level

Air Velocity Indicators, Doppler Flowmeters, Level Measurement, Magnetic Flowmeters, Mass Flowmeters, Pitot Tubes, Pumps, Rotameters, Turbine and Paddle Wheel Flowmeters, Ultrasonic Flowmeters, Valves, Variable Area Flowmeters, Vortex Shedding Flowmeters

• pH and Conductivity

Conductivity Instrumentation, Dissolved Oxygen Instrumentation, Environmental Instrumentation, pH Electrodes and Instruments, Water and Soil Analysis Instrumentation

• Data Acquisition

Communication Products and Converters, Data Acquisition and Analysis Software, Data Loggers Plug-in Cards, Signal Conditioners, USB, RS232, RS485, Ethernet and Parallel Port Data Acquisition Systems, Wireless Transmitters and Receivers

• Pressure, Strain and Force

Displacement Transducers, Dynamic Measurement Force Sensors, Instrumentation for Pressure and Strain Measurements, Load Cells, Pressure Gauges, Pressure Reference Section, Pressure Switches, Pressure Transducers, Proximity Transducers, Regulators, Pressure Transmitters, Strain Gauges, Torque Transducers, Valves

• Heaters

Band Heaters, Cartridge Heaters, Circulation Heaters, Comfort Heaters, Controllers, Meters and Switching Devices, Flexible Heaters, General Test and Measurement Instruments, Heater Hook-up Wire, Heating Cable Systems, Immersion Heaters, Process Air and Duct, Heaters, Radiant Heaters, Strip Heaters, Tubular Heaters