

AMPLIFIED VOLTAGE OUTPUT BEAM-TYPE LOAD CELLS

LC509 Series

Compression
0-5 lb to 0-100 lb
2.3 kg to 45 kg

1 Newton = 0.2248 lb
1 daNewton = 10 Newtons
1 lb = 454 g
1 t = 1000 kg = 2204 lb

All Models
\$295

LC509-005, \$295, shown smaller than actual size.



- ✓ Lightweight Aluminum Construction
- ✓ High 0.25% Accuracy
- ✓ 0.5 to 9.5 Vdc Output
- ✓ Heavy-Duty Construction for Weighing Applications
- ✓ Built-In Overload Stop

The unique LC509 Series beam type load cells combine high accuracy with an internal amplifier that gives a high-level DC voltage output. Applications include industrial weighing and automated batching operations in which the interfacing controller requires an amplified voltage input. Built-in overload stops and a rugged design make the LC509 a highly reliable transducer for industry. In addition, users can have high tare offsets built in for their OEM applications.

SPECIFICATIONS

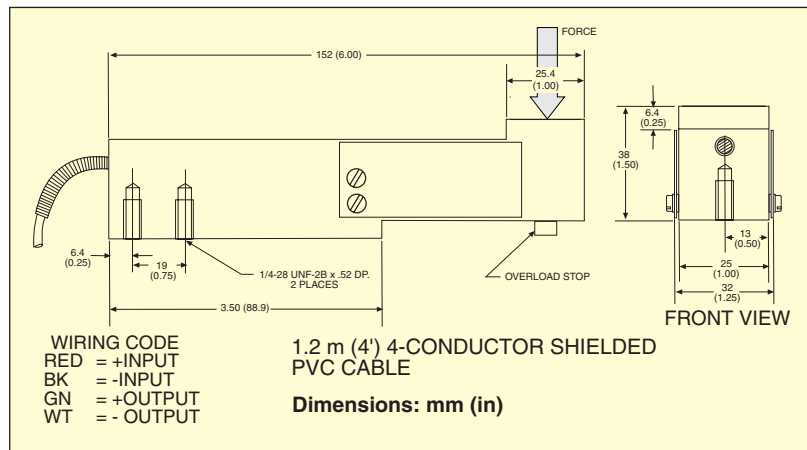
Output: 0.5 to 9.5 Vdc

Excitation: 24 Vdc ±4 Vdc

Accuracy Class: 0.25% FSO; includes linearity, hysteresis, repeatability and zero balance combined

Operating Temp Range:
-48 to 60°C (-55 to 140°F)

Compensated Temp Range:
0 to 60°C (32 to 140°F)



Thermal Effects: ±0.69% FSO, zero and span combined over compensated range

Construction: 2024-T351 aluminum

Overload to Stops:

≤25 lb: 500% of capacity

>25 lb: 300% of capacity

Ultimate Overload: 800% of capacity

Electrical: 1.2 m (4') 4-conductor shielded PVC cable

Protection Class: IP65

MOST POPULAR MODELS HIGHLIGHTED!

To Order (Specify Model Number)

CAPACITY		MODEL NO.	PRICE	COMPATIBLE METERS*
5 lb	2.3 kg	LC509-005	\$295	DP41-B, DP41-S, DP25B-S
10 lb	4.5 kg	LC509-010	295	DP41-B, DP41-S, DP25B-S
15 lb	6.8 kg	LC509-015	295	DP41-B, DP41-S, DP25B-S
25 lb	11 kg	LC509-025	295	DP41-B, DP41-S, DP25B-S
50 lb	23 kg	LC509-050	295	DP41-B, DP41-S, DP25B-S
100 lb	45 kg	LC509-100	295	DP41-B, DP41-S, DP25B-S

* See section D for compatible meters.

Ordering Example: LC509-005, 5 lb capacity load cell with 7.75 lb offset and 0.5 to 9.5 Vdc output with 1.2 m (4') of cable, \$295.

ACCESSORY

MODEL NO.	PRICE	DESCRIPTION
ME-1708	\$160	Reference Book: Handbook of Mechanical Engineering

omega.co.uk[®]

Your One-Stop Source for Process Measurement and Control!

Freephone 0800 488 488 | International +44(0) 161 777 6622 | Fax +44(0) 161 777 6622 | Sales@omega.co.uk

www.omega.co.uk



UNITED STATES

www.omega.com

1-800-TC-OMEGA
Stamford, CT.

CANADA

www.omega.ca

Laval(Quebec)
1-800-TC-OMEGA

GERMANY

www.omega.de

Deckenfronn, Germany
0800-8266342

UNITED KINGDOM

www.omega.co.uk

Manchester, England
0800-488-488
+44-(0)161-777-6611

FRANCE

www.omega.fr

0800-466-342

BENELUX

www.omega.nl

0800-099-33-44



More than 100,000 Products Available!

• Temperature

Calibrators, Connectors, General Test and Measurement Instruments, Handheld Instruments for Temperature Measurement, Ice Point References, Indicating Labels, Crayons, Cements and Lacquers, Infrared Temperature Measurement Instruments, Recorders, Relative Humidity Measurement Instruments, PT100 Probes, PT100 Elements, Temperature & Process Meters, Timers and Counters, Temperature and Process Controllers and Power Switching Devices, Thermistor Elements, Probes and Assemblies, Thermocouples, Thermowells and Head and Well Assemblies, Transmitters, Thermocouple Wire, RTD Probes

• Flow and Level

Air Velocity Indicators, Doppler Flowmeters, Level Measurement, Magnetic Flowmeters, Mass Flowmeters, Pitot Tubes, Pumps, Rotameters, Turbine and Paddle Wheel Flowmeters, Ultrasonic Flowmeters, Valves, Variable Area Flowmeters, Vortex Shedding Flowmeters

• pH and Conductivity

Conductivity Instrumentation, Dissolved Oxygen Instrumentation, Environmental Instrumentation, pH Electrodes and Instruments, Water and Soil Analysis Instrumentation

• Data Acquisition

Communication Products and Converters, Data Acquisition and Analysis Software, Data Loggers Plug-in Cards, Signal Conditioners, USB, RS232, RS485, Ethernet and Parallel Port Data Acquisition Systems, Wireless Transmitters and Receivers

• Pressure, Strain and Force

Displacement Transducers, Dynamic Measurement Force Sensors, Instrumentation for Pressure and Strain Measurements, Load Cells, Pressure Gauges, Pressure Reference Section, Pressure Switches, Pressure Transducers, Proximity Transducers, Regulators, Pressure Transmitters, Strain Gauges, Torque Transducers, Valves

• Heaters

Band Heaters, Cartridge Heaters, Circulation Heaters, Comfort Heaters, Controllers, Meters and Switching Devices, Flexible Heaters, General Test and Measurement Instruments, Heater Hook-up Wire, Heating Cable Systems, Immersion Heaters, Process Air and Duct, Heaters, Radiant Heaters, Strip Heaters, Tubular Heaters