

TENSION PLATES FOR LC402/LC412 SERIES LOAD CELLS 17-4 PH STAINLESS STEEL

LC412-TP Series

Tension Plates

For LC402/LC412 Load Cells

Ranges

50 lb to 750,000 lb

23 kg to 340,290 kg

1 Newton = 0.2248 lb

1 daNewton = 10 Newtons

1 lb = 454 g

1 t = 1000 kg = 2204 lb



LC412-3K, \$730,
shown smaller than actual size.

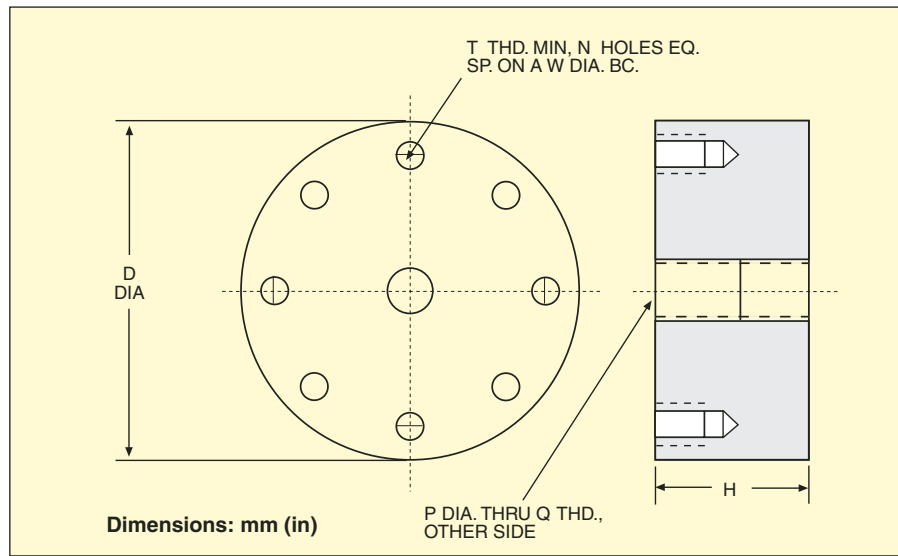
Starts at
\$110



Mounting Hardware Included

LC412 tension plates attach to the base of LC402/LC412 Series load cells and provide a second threaded center hole for tension applications.

The LC412-TP288 tension plate attaches to the base of the LC412-3K load cell (see diagram).



MOST POPULAR MODELS HIGHLIGHTED!

CAPACITY		MODEL NO.	PRICE	Dimensions: mm (in)						
lb	kg			D	H	P	Q	T	N	W
50 to 300	23 to 136	LC412-TP225	\$110	76 (3.00)	38 (1.50)	8.4 (0.332)	¾-24 x 0.56 DP.	¼-28 x 0.50 DP.	8	57 (2.25)
500 to 3K	227 to 1361	LC412-TP288	110	89 (3.50)	38 (1.50)	12 (0.453)	½-20 x 0.62 DP.	¼-28 x 0.50 DP.	8	73 (2.88)
5K to 10K	2269 to 4537	LC412-TP325	110	95 (3.75)	38 (1.50)	18 (0.688)	¾-16 x 1.00 DP.	¼-28 x 0.50 DP.	8	89 (3.25)
15K to 25K	6806 to 11,343	LC412-TP350	250	102 (4.00)	51 (2.00)	24 (0.933)	1-14 x 1.50 DP.	¾-24 x 0.75 DP.	8	889 (3.50)
30K to 50K	13,612 to 22,686	LC412-TP563	425	178 (7.00)	76 (3.00)	36 (1.42)	1½ x 2.00 DP.	½-20 x 1.00 DP.	8	143 (5.63)
75K	34,029	LC412-TP675	†	203 (8.00)	89 (3.50)	42 (1.67)	1¾-12 x 2.75 DP.	¾-11 x 0.81 DP.	8	171 (6.75)
100K	45,372	LC412-TP800	†	241 (9.50)	102 (4.00)	49 (1.92)	2-12 x 2.50 DP.	¾-10 x 1.00 DP.	12	203 (8.00)
200K to 300K	90,744 to 136,116	LC412-TP925	†	279 (11.0)	102 (4.00)	63 (2.42)	2½-12 x 3.00 DP.	1-8 x 1.50 DP.	12	235 (9.25)
300K to 400K	136,116 to 181,488	LC412-TP925-3	†	279 (11.0)	102 (4.00)	63 (2.92)	3-12 x 3.50 DP.	1-8 x 1.50 DP.	12	235 (9.25)
300K to 500K	136,116 to 226,860	LC412-TP1025	†	279 (11.0)	102 (4.00)	86 (3.38)	3½-8 x 3.50 DP.	1-¾-7 x 1.75 DP.	12	260 (10.25)
300K to 750K	136,116 to 340,290	LC412-TP1100	†	330 (13.0)	114 (4.50)	99 (3.89)	4-8 x 4.0 DP.	1-¾-7 x 1.75 DP.	12	279 (11.00)

† Special quote.

Ordering Examples: LC412-TP350, fits LC412 load cells from 15,000 to 25,000 lb, \$250. LC412-TP288, fits LC412 load cells from 500 to 3000 lb, \$110. LC412-TP925-3, fits LC412 load cells from 300,000 to 400,000 lb, \$2200.

ACCESSORY

MODEL NO.	PRICE	DESCRIPTION
OP-17	\$15	Reference Book: Measure for Measure



omega.co.uk[®]

Your One-Stop Source for Process Measurement and Control!

Freephone 0800 488 488 | International +44(0) 161 777 6622 | Fax +44(0) 161 777 6622 | Sales@omega.co.uk

www.omega.co.uk



UNITED STATES

www.omega.com

1-800-TC-OMEGA
Stamford, CT.

UNITED KINGDOM

www.omega.co.uk

Manchester, England
0800-488-488
+44-(0)161-777-6611

CANADA

www.omega.ca

Laval(Quebec)
1-800-TC-OMEGA

FRANCE

www.omega.fr

0800-466-342

GERMANY

www.omega.de

Deckenfronn, Germany
0800-8266342

BENELUX

www.omega.nl

0800-099-33-44



More than 100,000 Products Available!

• Temperature

Calibrators, Connectors, General Test and Measurement Instruments, Handheld Instruments for Temperature Measurement, Ice Point References, Indicating Labels, Crayons, Cements and Lacquers, Infrared Temperature Measurement Instruments, Recorders, Relative Humidity Measurement Instruments, PT100 Probes, PT100 Elements, Temperature & Process Meters, Timers and Counters, Temperature and Process Controllers and Power Switching Devices, Thermistor Elements, Probes and Assemblies, Thermocouples, Thermowells and Head and Well Assemblies, Transmitters, Thermocouple Wire, RTD Probes

• Flow and Level

Air Velocity Indicators, Doppler Flowmeters, Level Measurement, Magnetic Flowmeters, Mass Flowmeters, Pitot Tubes, Pumps, Rotameters, Turbine and Paddle Wheel Flowmeters, Ultrasonic Flowmeters, Valves, Variable Area Flowmeters, Vortex Shedding Flowmeters

• pH and Conductivity

Conductivity Instrumentation, Dissolved Oxygen Instrumentation, Environmental Instrumentation, pH Electrodes and Instruments, Water and Soil Analysis Instrumentation

• Data Acquisition

Communication Products and Converters, Data Acquisition and Analysis Software, Data Loggers Plug-in Cards, Signal Conditioners, USB, RS232, RS485, Ethernet and Parallel Port Data Acquisition Systems, Wireless Transmitters and Receivers

• Pressure, Strain and Force

Displacement Transducers, Dynamic Measurement Force Sensors, Instrumentation for Pressure and Strain Measurements, Load Cells, Pressure Gauges, Pressure Reference Section, Pressure Switches, Pressure Transducers, Proximity Transducers, Regulators, Pressure Transmitters, Strain Gauges, Torque Transducers, Valves

• Heaters

Band Heaters, Cartridge Heaters, Circulation Heaters, Comfort Heaters, Controllers, Meters and Switching Devices, Flexible Heaters, General Test and Measurement Instruments, Heater Hook-up Wire, Heating Cable Systems, Immersion Heaters, Process Air and Duct, Heaters, Radiant Heaters, Strip Heaters, Tubular Heaters