

MINIATURE COMPRESSION LOAD CELL WITH THREADED CENTER HOLE

LC321 Series

Compression

0-250 lb to 0-2000 lb

0-114 kg to 0-909 kg

1 Newton = 0.2248 lb

1 daNewton = 10 Newtons

1 lb = 454 g

1 t = 1000 kg = 2204 lb

All Models
\$480



- ✓ Miniature Package for Robotic Applications, 38 mm (1.5") Diameters
- ✓ Threaded Center Hole for Easy Installation
- ✓ 5-Point Calibration Provided
- ✓ Ultra-Low Profile



Safe Overload: 150% of capacity
Ultimate Overload: 300% of capacity
Input Resistance: 360 Ω minimum
Output Resistance: 350 ±5 Ω

Construction: Stainless steel
Electrical: 1.5 m (5') 4-conductor shielded cable

OMEGA's LC321 Series compression load cells offer a broad load range, a threaded center hole, and an ultra-low profile for easy installation. Their all stainless steel construction and rugged design ensure long life and high reliability in industrial environments.

SPECIFICATIONS

Output: 2 mV/V

Excitation: 10 Vdc, 15 Vdc max

Accuracy: ±2.0% FSO linearity, hysteresis, repeatability combined

5-Point Calibration: 0%, 50%, 100%, 50%, 0%

Zero Balance: ±2% FSO

Operating Temp Range: -54 to 121°C (-65 to 250°F)

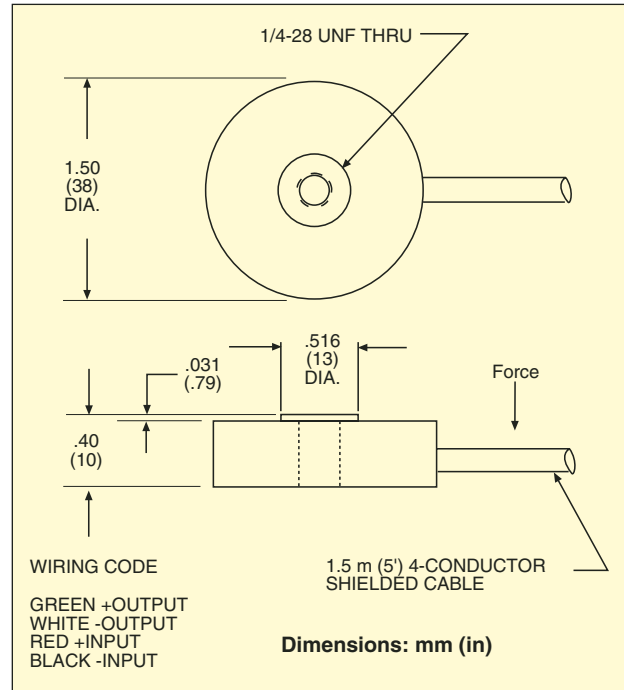
Compensated Temp Range: 16 to 71°C (60 to 160°F)

Thermal Effects:

Zero: 0.005% FSO/°F

Span: 0.010% rdg/°F

Protection Class: IP65



MOST POPULAR MODELS HIGHLIGHTED!

To Order (Specify Model Number)

CAPACITY		MODEL NO.	PRICE	COMPATIBLE METERS*
lb	kg			
250	114	LC321-250	\$480	DPiS, DP41-S, DP25B-S
500	227	LC321-500	480	DPiS, DP41-S, DP25B-S
750	341	LC321-750	480	DPiS, DP41-S, DP25B-S
1000	455	LC321-1K	480	DPiS, DP41-S, DP25B-S
2000	909	LC321-2K	480	DPiS, DP41-S, DP25B-S

Comes with 5-point NIST-traceable calibration.

* See section D for compatible meters.

Ordering Examples: LC321-250, 250 lb capacity subminiature compression load cell, \$480. LC201-1K, 1000 lb capacity subminiature compression load cell, \$480.

ACCESSORY

MODEL NO.	PRICE	DESCRIPTION
ME-1804	\$125	Reference Book: Mechanical Design Handbook



omega.co.uk[®]

Your One-Stop Source for Process Measurement and Control!

Freephone 0800 488 488 | International +44(0) 161 777 6622 | Fax +44(0) 161 777 6622 | Sales@omega.co.uk

www.omega.co.uk



UNITED STATES

www.omega.com

1-800-TC-OMEGA
Stamford, CT.

CANADA

www.omega.ca

Laval(Quebec)
1-800-TC-OMEGA

GERMANY

www.omega.de

Deckenfronn, Germany
0800-8266342

UNITED KINGDOM

www.omega.co.uk

Manchester, England
0800-488-488
+44-(0)161-777-6611

FRANCE

www.omega.fr

0800-466-342

BENELUX

www.omega.nl

0800-099-33-44



More than 100,000 Products Available!

• Temperature

Calibrators, Connectors, General Test and Measurement Instruments, Handheld Instruments for Temperature Measurement, Ice Point References, Indicating Labels, Crayons, Cements and Lacquers, Infrared Temperature Measurement Instruments, Recorders, Relative Humidity Measurement Instruments, PT100 Probes, PT100 Elements, Temperature & Process Meters, Timers and Counters, Temperature and Process Controllers and Power Switching Devices, Thermistor Elements, Probes and Assemblies, Thermocouples, Thermowells and Head and Well Assemblies, Transmitters, Thermocouple Wire, RTD Probes

• Flow and Level

Air Velocity Indicators, Doppler Flowmeters, Level Measurement, Magnetic Flowmeters, Mass Flowmeters, Pitot Tubes, Pumps, Rotameters, Turbine and Paddle Wheel Flowmeters, Ultrasonic Flowmeters, Valves, Variable Area Flowmeters, Vortex Shedding Flowmeters

• pH and Conductivity

Conductivity Instrumentation, Dissolved Oxygen Instrumentation, Environmental Instrumentation, pH Electrodes and Instruments, Water and Soil Analysis Instrumentation

• Data Acquisition

Communication Products and Converters, Data Acquisition and Analysis Software, Data Loggers Plug-in Cards, Signal Conditioners, USB, RS232, RS485, Ethernet and Parallel Port Data Acquisition Systems, Wireless Transmitters and Receivers

• Pressure, Strain and Force

Displacement Transducers, Dynamic Measurement Force Sensors, Instrumentation for Pressure and Strain Measurements, Load Cells, Pressure Gauges, Pressure Reference Section, Pressure Switches, Pressure Transducers, Proximity Transducers, Regulators, Pressure Transmitters, Strain Gauges, Torque Transducers, Valves

• Heaters

Band Heaters, Cartridge Heaters, Circulation Heaters, Comfort Heaters, Controllers, Meters and Switching Devices, Flexible Heaters, General Test and Measurement Instruments, Heater Hook-up Wire, Heating Cable Systems, Immersion Heaters, Process Air and Duct, Heaters, Radiant Heaters, Strip Heaters, Tubular Heaters