

IN-LINE AMPLIFIERS FOR PRESSURE TRANSDUCERS AND LOAD CELLS

DMD Series In-Line Amplifiers

DMD
\$165
Model Shown

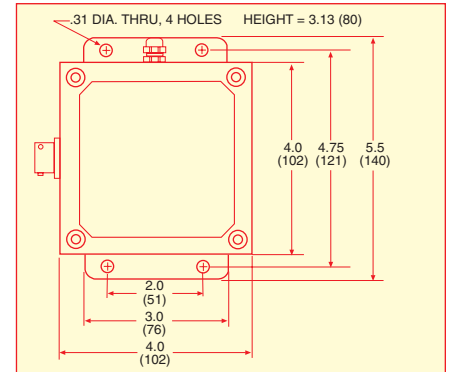


1 bar = 14.5 psi
1 kg/cm² = 14.22 psi
1 Atmosphere = 14.7 psi = 29.93 in-Hg = 760.2 mm-Hg = 1.014 bar

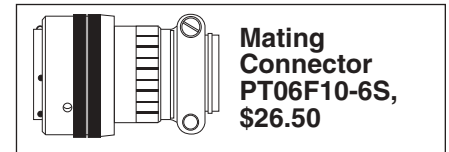
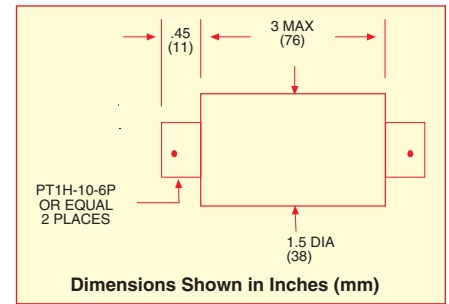
- ✓ NEMA-4, NEMA-12 or Lightning Protected Junction Box Enclosures Available
- ✓ Rugged Design for Industrial Applications
- ✓ Models with 0-5 Vdc, Triple Range 0-5 Vdc, or 4-20 mA Outputs



NEMA-12 Model DMD-17, \$165
Shown Smaller Than Actual Size



NEMA-4 Model DMD-19, \$165
Shown Smaller Than Actual Size



The DMD Series In-Line Amplifiers convert a mV/V transducer into either a 0-5 Vdc or 4-20 mA output device. They are intended for applications where physical conditions will not allow the amplifier to be integral with the transducer body and must be ordered with a transducer as they are calibrated with that transducer to effect their output over the range of the transducer. The 4-20 mA output amplifiers require a bridge resistance of at least 5000 Ω.

SPECIFICATIONS

Accuracy: Consistent with the amplified versions of the base mV/V transducer.

Excitation: 28 Vdc ±4 V for 5 Vdc models ±15 Vdc for Triple Range 5 V model 10 to 40 Vdc for 4-20 mA models

MOST POPULAR MODELS HIGHLIGHTED

To Order (Specify Model Number)

OUTPUT	MODEL NO.	PRICE	CASE	CONNECTIONS	
				Transducer	Output
0-5 Vdc Output					
0 to 5 Vdc	DMD-19V	\$165	NEMA-4	PT1H-10-6P	PT1H-10-6P
0 to 5 Vdc	DMD-17V	165	NEMA-12	PT1H-10-6P	Screw Term
Triple Range 0-5Vdc Output					
0 to 5 Vdc	DMD-19V3	240	NEMA-4	PT1H-10-6P	PT1H-10-6P
4-20 mA Output					
4-20 mA	DMD-19I*	165	NEMA-4	PT1H-10-6P	PT1H-10-6P
4-20 mA	DMD-17I*	165	NEMA-12	PT1H-10-6P	Screw Term
4-20 mA	DMD-18I-JB*	165	Lightning Protected Junction Box with ½-14 fittings and Screw Terminal connections		

Ordering Examples: 1.) DMD-19V is a NEMA-4 style 0-5 Vdc output amplifier with Bendix connectors as the input and output, \$165. Mating Connectors, 2 required, (not included) PT06F10-6S, \$26.50 ea. 2.) DMD-17I is a NEMA-12 style 4-20 mA output amplifier with a PT1H-10-6P Bendix connector on the transducer input and screw terminal output, \$165. Mating Connector (not included) PT06F10-6S, \$26.50.

* Will only function with 5000Ω bridge input. (Example PX78 mV output transducers.)

omega.co.uk[®]

Your One-Stop Source for Process Measurement and Control!

Freephone 0800 488 488 | International +44(0) 161 777 6622 | Fax +44(0) 161 777 6622 | Sales@omega.co.uk

www.omega.co.uk



UNITED STATES

www.omega.com

1-800-TC-OMEGA
Stamford, CT.

CANADA

www.omega.ca

Laval(Quebec)
1-800-TC-OMEGA

GERMANY

www.omega.de

Deckenfronn, Germany
0800-8266342

UNITED KINGDOM

www.omega.co.uk

Manchester, England
0800-488-488
+44-(0)161-777-6611

FRANCE

www.omega.fr

0800-466-342

BENELUX

www.omega.nl

0800-099-33-44



More than 100,000 Products Available!

• Temperature

Calibrators, Connectors, General Test and Measurement Instruments, Handheld Instruments for Temperature Measurement, Ice Point References, Indicating Labels, Crayons, Cements and Lacquers, Infrared Temperature Measurement Instruments, Recorders, Relative Humidity Measurement Instruments, PT100 Probes, PT100 Elements, Temperature & Process Meters, Timers and Counters, Temperature and Process Controllers and Power Switching Devices, Thermistor Elements, Probes and Assemblies, Thermocouples, Thermowells and Head and Well Assemblies, Transmitters, Thermocouple Wire, RTD Probes

• Flow and Level

Air Velocity Indicators, Doppler Flowmeters, Level Measurement, Magnetic Flowmeters, Mass Flowmeters, Pitot Tubes, Pumps, Rotameters, Turbine and Paddle Wheel Flowmeters, Ultrasonic Flowmeters, Valves, Variable Area Flowmeters, Vortex Shedding Flowmeters

• pH and Conductivity

Conductivity Instrumentation, Dissolved Oxygen Instrumentation, Environmental Instrumentation, pH Electrodes and Instruments, Water and Soil Analysis Instrumentation

• Data Acquisition

Communication Products and Converters, Data Acquisition and Analysis Software, Data Loggers Plug-in Cards, Signal Conditioners, USB, RS232, RS485, Ethernet and Parallel Port Data Acquisition Systems, Wireless Transmitters and Receivers

• Pressure, Strain and Force

Displacement Transducers, Dynamic Measurement Force Sensors, Instrumentation for Pressure and Strain Measurements, Load Cells, Pressure Gauges, Pressure Reference Section, Pressure Switches, Pressure Transducers, Proximity Transducers, Regulators, Pressure Transmitters, Strain Gauges, Torque Transducers, Valves

• Heaters

Band Heaters, Cartridge Heaters, Circulation Heaters, Comfort Heaters, Controllers, Meters and Switching Devices, Flexible Heaters, General Test and Measurement Instruments, Heater Hook-up Wire, Heating Cable Systems, Immersion Heaters, Process Air and Duct, Heaters, Radiant Heaters, Strip Heaters, Tubular Heaters