

WALL MOUNTED ROOM THERMOSTATS

WR Series
Starts at
\$240



- ✓ UL Listed, CSA Certified
- ✓ Positive Snap-Action Switch
- ✓ 3 Models Available
- ✓ Maximum Temperature Range to 32°C (90°F)

The WR Series room thermostats are designed to directly control individual heaters or, by using an external contactor, can control several heaters. The WR-90 is particularly useful for maintaining lower temperatures (in garages, warehouses, etc.) and avoiding unnecessary heating costs.

Each design has accuracy and provides long reliable service with a 3° control differential. Both units are heavy duty, single stage, with a SPST line voltage snap-action switch and are finished with tough, metallic gray enamel housings.

The WR80-EP room thermostat is designed to control individual heaters directly or by using an external contactor to control several heaters. It provides accuracy, long and reliable service. The control is a heavy duty, single stage, SPST line voltage snap-action switch featuring an external, coiled sensing element and adjustable setpoint knob.

WARNING: Hazard of Fire. The WR thermostats are designed for temperature control service only. Because they do not fail-safe, they should not be used for temperature limiting duty.

FEATURES

Positive Accuracy, 3° differential. Single stage SPST snap-acting switch

WR-80 has internal sensing element and thermometer

WR-90 and WR-80EP have external, coiled sensing element, but no thermometer



WR-80, \$240



WR-90, \$240

All models shown smaller than actual size.

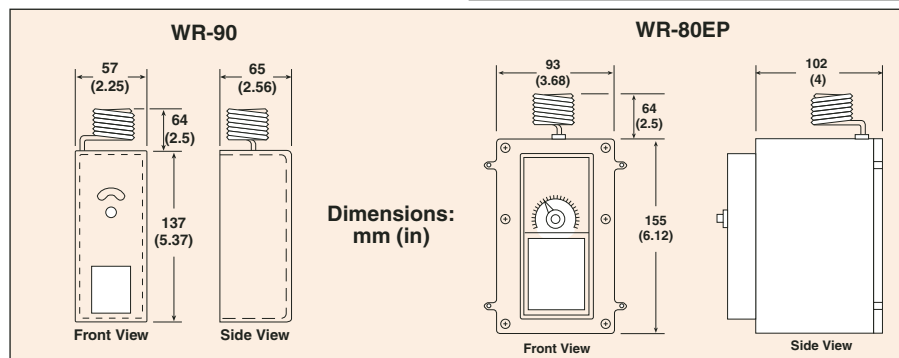
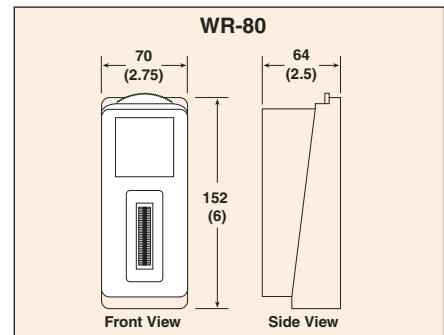


WR-80EP, \$550

- ✓ WR-90 is especially useful in holding lower temperatures in garages, warehouses, factories etc.
- ✓ WR-80EP is suitable for Class I Group D and Class II, Groups E, F, and G locations

SPECIFICATION

Temperature Range: -6.6 to 32°C (0 to 90°F)



AVAILABLE FOR FAST DELIVERY!

To Order (Specify Model Number)

Model No.	Price	Temp Range °F	Maximum Rating (Amps/Watts)						Wt. (lb)
			AC			DC†			
			120V	240V	277V	480V	115V	230V	
WR-80	\$240	40 to 80	25/3000	22/5280	18/5000	125V/A*	125V/A**	125V/A**	2
WR-90	240	20 to 90	25/3000	22/5280	18/5000	125V/A*	125V/A**	125V/A**	2
WR-80EP	550	40 to 90	25/3000	22/5280	18/5000	125V/A*	125V/A**	125V/A**	5

* Pilot duty for use with AC contactor ** Pilot duty for use with DC contactor

† DC Ratings are not UL Listed

Comes complete with operator's manual.

Ordering Example: WR-80, wall mounted room thermostat, \$240.

omega.co.uk[®]

Your One-Stop Source for Process Measurement and Control!

Freephone 0800 488 488 | International +44(0) 161 777 6622 | Fax +44(0) 161 777 6622 | Sales@omega.co.uk

www.omega.co.uk



UNITED STATES

www.omega.com

1-800-TC-OMEGA
Stamford, CT.

UNITED KINGDOM

www.omega.co.uk

Manchester, England
0800-488-488
+44-(0)161-777-6611

CANADA

www.omega.ca

Laval(Quebec)
1-800-TC-OMEGA

FRANCE

www.omega.fr

0800-466-342

GERMANY

www.omega.de

Deckenfronn, Germany
0800-8266342

BENELUX

www.omega.nl

0800-099-33-44



More than 100,000 Products Available!

• Temperature

Calibrators, Connectors, General Test and Measurement Instruments, Handheld Instruments for Temperature Measurement, Ice Point References, Indicating Labels, Crayons, Cements and Lacquers, Infrared Temperature Measurement Instruments, Recorders, Relative Humidity Measurement Instruments, PT100 Probes, PT100 Elements, Temperature & Process Meters, Timers and Counters, Temperature and Process Controllers and Power Switching Devices, Thermistor Elements, Probes and Assemblies, Thermocouples, Thermowells and Head and Well Assemblies, Transmitters, Thermocouple Wire, RTD Probes

• Flow and Level

Air Velocity Indicators, Doppler Flowmeters, Level Measurement, Magnetic Flowmeters, Mass Flowmeters, Pitot Tubes, Pumps, Rotameters, Turbine and Paddle Wheel Flowmeters, Ultrasonic Flowmeters, Valves, Variable Area Flowmeters, Vortex Shedding Flowmeters

• pH and Conductivity

Conductivity Instrumentation, Dissolved Oxygen Instrumentation, Environmental Instrumentation, pH Electrodes and Instruments, Water and Soil Analysis Instrumentation

• Data Acquisition

Communication Products and Converters, Data Acquisition and Analysis Software, Data Loggers Plug-in Cards, Signal Conditioners, USB, RS232, RS485, Ethernet and Parallel Port Data Acquisition Systems, Wireless Transmitters and Receivers

• Pressure, Strain and Force

Displacement Transducers, Dynamic Measurement Force Sensors, Instrumentation for Pressure and Strain Measurements, Load Cells, Pressure Gauges, Pressure Reference Section, Pressure Switches, Pressure Transducers, Proximity Transducers, Regulators, Pressure Transmitters, Strain Gauges, Torque Transducers, Valves

• Heaters

Band Heaters, Cartridge Heaters, Circulation Heaters, Comfort Heaters, Controllers, Meters and Switching Devices, Flexible Heaters, General Test and Measurement Instruments, Heater Hook-up Wire, Heating Cable Systems, Immersion Heaters, Process Air and Duct, Heaters, Radiant Heaters, Strip Heaters, Tubular Heaters