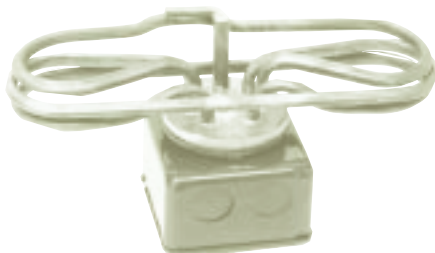


FOOD EQUIPMENT HEATERS WITH LOW LIQUID CUTOUT

TTUH-CO Series

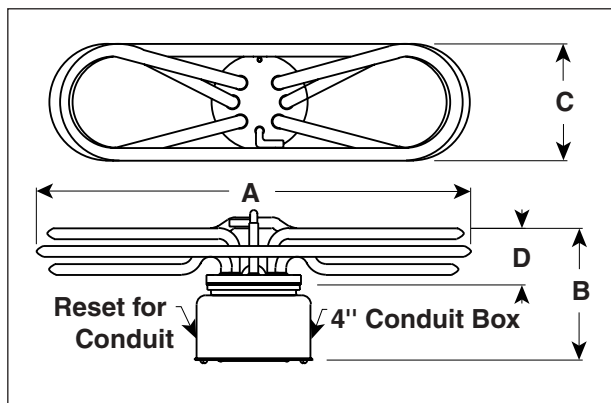
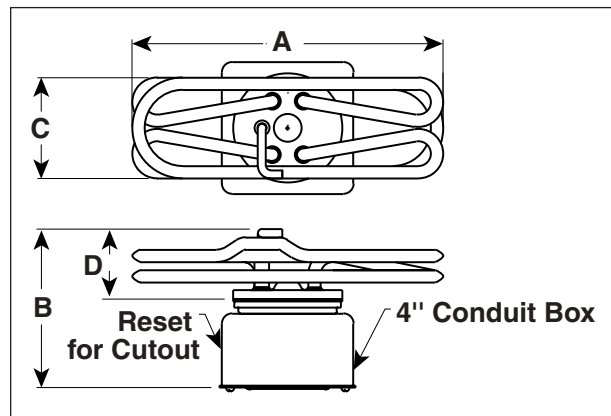


- ✓ Brass Flange
- ✓ Copper Sheath
- ✓ High Watt Density
- ✓ Without Contactor
- ✓ Integral Low Liquid Thermal Cutout



CAUTION AND WARNING!

Fire and electrical shock may result if products are used improperly or installed or used by non-qualified personnel. See inside back cover for additional warning.



To Order (Specify Model Number)

kW	W/in ²	Dimensions Inches (cm)				Model No.	Price	Wt. lb. (kg)
		A	B	C	D			
TTUH-CO Series — Single Phase W/cutout — 2 1/2" Minimum Liquid Depth								
1.5	62	7 1/16 (19)	4 1/16 (12)	3 1/16 (8)	2 3/8 (6)	TTUH-CO-15/*	\$356	3 (1)
2	60	9 1/16 (23)	4 1/16 (12)	3 1/16 (8)	2 1/8 (5)	TTUH-CO-20/*	370	3 (1)
2.5	40	6 3/4 (17)	4 1/16 (12)	3 1/16 (8)	2 1/8 (5)	TTUH-CO-25/*	384	3 1/2 (1)
3	55	6 3/4 (17)	4 1/16 (12)	3 1/16 (8)	2 1/8 (5)	TTUH-CO-30/*	404	3 1/2 (1)
4	64	9 1/2 (24)	4 1/16 (12)	3 1/16 (8)	2 1/8 (5)	TTUH-CO-40/*	497	3 1/2 (2)
5	70	12 3/4 (32)	5 3/8 (14)	4 (10)	2 11/16 (7)	TTUH-CO-50/*	463	5 (2)
6	73	14 1/2 (37)	5 3/8 (14)	4 (10)	2 11/16 (7)	TTUH-CO-60/*	491	6 (3)
7	85	14 1/2 (37)	5 3/8 (14)	4 (10)	2 11/16 (7)	TTUH-CO-70/240	599	6 (3)
TTUH-CO Series — Three Phase with Cutout — 3" Minimum Liquid Depth								
3	55	8 3/4 (22)	5 11/16 (15)	3 3/8 (8)	2 3/4 (7)	TTUH-CO-303/*3P	489	4 (2)
4	74	8 3/4 (22)	5 3/16 (15)	3 3/8 (8)	2 3/4 (7)	TTUH-CO-403/*3P	497	5 (2)
5	73	11 (28)	5 3/16 (15)	3 3/8 (8)	2 3/4 (7)	TTUH-CO-503/**3P	548	5 (2)
6	72	11 1/16 (28)	5 3/4 (16)	4 1/16 (10)	3 (8)	TTUH-CO-603/*3P	586	5 (2)
7	78	11 1/16 (28)	5 3/4 (16)	4 1/16 (10)	3 (8)	TTUH-CO-703/208/3P	599	4 1/2 (2)
8	69	14 1/2 (37)	5 3/4 (16)	4 1/16 (10)	3 (8)	TTUH-CO-803/208/3P	634	6 (3)
9	78	14 1/2 (37)	5 3/4 (16)	4 1/16 (10)	3 (8)	TTUH-CO-903/208/3P	661	6 (3)

* Designate voltage, i.e. insert 208 for 208V or 240 for 240 V.

** Designate voltage, i.e., 208 for 208 VAC or 240 for 240 V, or 480 for 480 V.

Note: Other kW rating and voltages are available. Contact OMEGALUX®.

Ordering Example: Model TTUH-CO-15/208/1.5 kW heater powered by 208 VAC, \$356.

Ordering Example: Model TTUH-CO-303/240/3P 3 kW heater powered by 240 VAC 3 phase, \$489.

FEATURES

The TTUH-CO series heater is mounted through a 2 7/16" dia. (6 cm) opening in bottom of vessel. Heater is inserted with gasket through top of vessel or through hand hole. Mount combination terminal box and clamp over the element flange and use bolt to draw mounting clamp tightly to the tank.

When mounting in a closed tank, a hand hole should be cut in the side of the tank only large enough to insert the heater and reach to the bottom of the tank to insert in the 2 7/16" dia. (6 cm) mounting hole. See To Order table for heater dimensions.

SPECIFICATIONS

Wattage: 1.5 to 9 kW

Power: 208 and 240 or 480 V, 1 and 3 Phase

Watt Density: 40-78 W/in²

Note: All models have an integral low-liquid cutout to protect the heater.

FOOD EQUIPMENT HEATERS

TTUH Series

- ✓ High Watt Density
- ✓ Brass Flange
- ✓ Copper Sheath
- ✓ Without Integral Low-Liquid Cutout
- ✓ Bottom Mounted



FEATURES

The type TTUH heater is mounted through a 2⁵/₁₆" dia. (6 cm) opening in bottom of vessel. Heater is inserted with gasket through top of vessel or through hand hole. Mount combination terminal box and clamp over the elements flange and use bolt to draw mounting clamp tightly to tank.

When mounting in a closed tank, a hand hole should be cut in the side of the tank only large enough to insert the heater and reach to the bottom of the tank to insert in the 2⁵/₁₆" dia. (6 cm) mounting hole. See To Order Table for heater dimensions.

APPLICATIONS

For coffee urns, steam tables, kettles, humidifiers and other commercial uses.

SPECIFICATIONS

Wattage: 1 to 12 kW

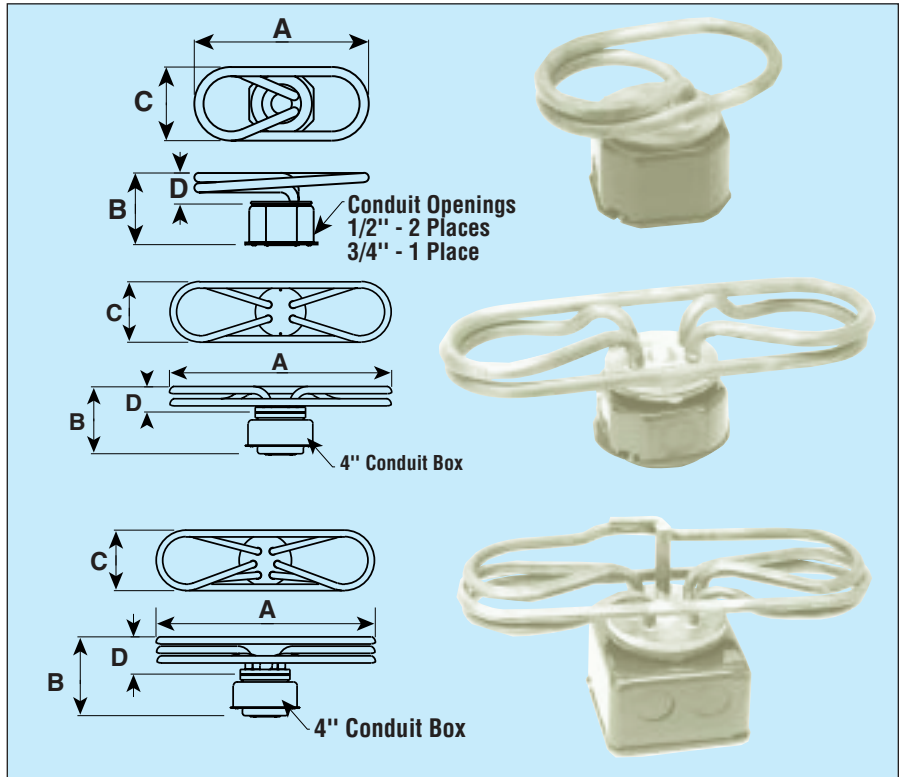
Power: 120, 208, 240 and 480 V, one and three phase

Watt Density: 42-98 W/in²

Note: These models do not have a built-in low liquid cutout.

CAUTION AND WARNING!

Fire and electrical shock may result if products are used improperly or installed or used by non-qualified personnel. See inside back cover for additional warnings.



To Order (Specify Model Number)

Dimensions inches (cm)						Model No.	Price	Wt. lb (kg)
kW	W/in ²	A	B	C	D†			
TTUH Series — 1 Phase w/o Cutout, 2" Min. Liquid Depth								
1	42	6 ³ / ₄ (17)	4 ⁵ / ₁₆ (12)	4 ¹ / ₄ (8)	2 ⁵ / ₁₆ (6)	TTUH-10A/120	\$180	2 ³ / ₄ (1)
1.5	57	6 ³ / ₄ (17)	4 ⁵ / ₁₆ (12)	4 ¹ / ₄ (8)	2 ⁵ / ₁₆ (5)	TTUH-15A/*	187	2 ³ / ₄ (1)
2	57	6 ³ / ₄ (17)	4 ⁵ / ₁₆ (12)	4 ¹ / ₄ (8)	2 ⁵ / ₁₆ (5)	TTUH-20A/*	204	2 ³ / ₄ (1)
2.5	58	6 ³ / ₄ (17)	4 ⁵ / ₁₆ (12)	4 ¹ / ₄ (8)	2 ⁵ / ₁₆ (5)	TTUH-25A/*	225	2 ⁷ / ₈ (1)
3	55	6 ³ / ₄ (17)	4 ⁵ / ₁₆ (12)	4 ¹ / ₄ (8)	2 ⁵ / ₁₆ (5)	TTUH-30A/*	345	3 (2)
4	53	9 ¹ / ₂ (24)	4 ⁵ / ₁₆ (14)	4 (10)	1 ³ / ₈ (7)	TTUH-40A/*	282	3 ⁷ / ₈ (2)
5	39	12 ³ / ₄ (32)	4 ⁵ / ₁₆ (14)	4 (10)	1 ¹ / ₁₆ (7)	TTUH-50/**	325	4 ¹ / ₂ (3)
6	42	14 ¹ / ₂ (37)	4 ⁵ / ₁₆ (15)	4 (10)	1 ¹ / ₁₆ (7)	TTUH-60/**	348	5 ¹ / ₂ (3)
7	49	14 ¹ / ₂ (37)	4 ⁵ / ₁₆ (14)	4 (10)	1 ¹ / ₁₆ (7)	TTUH-70/**	375	5 ¹ / ₂ (3)
TTUH Series — 3 Phase w/o Cutout 3" Minimum Liquid Depth								
3	55	8 ³ / ₄ (22)	4 ⁵ / ₁₆ (15)	3 ³ / ₈ (8)	1 ¹ / ₁₆ (7)	TTUH-303/208/3P	345	3 ¹ / ₂ (2)
3	55	8 ³ / ₄ (22)	4 ⁵ / ₁₆ (15)	3 ³ / ₈ (8)	1 ¹ / ₁₆ (7)	TTUH-303/240/3P	345	3 ¹ / ₂ (2)
4	74	8 ³ / ₄ (22)	4 ⁵ / ₁₆ (15)	3 ³ / ₈ (8)	1 ¹ / ₁₆ (7)	TTUH-403/208/3P	357	3 ¹ / ₂ (2)
4	74	8 ³ / ₄ (22)	4 ⁵ / ₁₆ (16)	3 ³ / ₈ (10)	1 ¹ / ₁₆ (8)	TTUH-403/240/3P	357	3 ¹ / ₂ (2)
4	74	8 ³ / ₄ (22)	4 ⁵ / ₁₆ (16)	3 ³ / ₈ (10)	1 ¹ / ₁₆ (8)	TTUH-403/480/3P	357	3 ¹ / ₂ (2)
5	73	11 (28)	4 ⁵ / ₁₆ (16)	3 ³ / ₈ (10)	1 ¹ / ₁₆ (8)	TTUH-503/**/3P	438	3 ¹ / ₂ (2)
6	67	11 ¹ / ₈ (28)	5 (16)	4 ¹ / ₁₆ (10)	2 ³ / ₈ (8)	TTUH-603/240/3P	438	4 ¹ / ₂ (3)
6	67	11 ¹ / ₈ (28)	5 (16)	4 ¹ / ₁₆ (10)	2 ³ / ₈ (8)	TTUH-603/480/3P	438	4 ¹ / ₂ (3)
7	78	11 ¹ / ₈ (28)	5 (16)	4 ¹ / ₁₆ (10)	2 ³ / ₈ (8)	TTUH-703/**/3P	452	4 ¹ / ₂ (3)
8	69	11 ¹ / ₈ (28)	5 (16)	4 ¹ / ₁₆ (10)	2 ³ / ₈ (8)	TTUH-803/**/3P	485	4 ¹ / ₂ (3)
12	98	17 ³ / ₄ (45)	5 (16)	4 ¹ / ₁₆ (10)	2 ³ / ₈ (8)	TTUH-1203/240/3P	613	5 ¹ / ₂ (3)

†Minimum liquid level should be maintained at 1/2" (1.27 cm) above D Dimension

/* Designate voltage, i.e., insert 120 for 120V, 240 for 240 V or 480 V.

** Designate voltage, i.e., insert 208 for 208 V 240 for 240 V

Ordering Example: Model TTUH-15A/120 is a 1.5 kW heater powered by 120 Vac, \$187.

Ordering Example: Model TTUH-503/240/3P is a 5 kW heater powered by 3 phase 240 Vac, \$438.

omega.co.uk[®]

Your One-Stop Source for Process Measurement and Control!

Freephone 0800 488 488 | International +44(0) 161 777 6622 | Fax +44(0) 161 777 6622 | Sales@omega.co.uk

www.omega.co.uk



UNITED STATES

www.omega.com

1-800-TC-OMEGA
Stamford, CT.

UNITED KINGDOM

www.omega.co.uk

Manchester, England
0800-488-488
+44-(0)161-777-6611

CANADA

www.omega.ca

Laval(Quebec)
1-800-TC-OMEGA

FRANCE

www.omega.fr

0800-466-342

GERMANY

www.omega.de

Deckenfronn, Germany
0800-8266342

BENELUX

www.omega.nl

0800-099-33-44



More than 100,000 Products Available!

• Temperature

Calibrators, Connectors, General Test and Measurement Instruments, Handheld Instruments for Temperature Measurement, Ice Point References, Indicating Labels, Crayons, Cements and Lacquers, Infrared Temperature Measurement Instruments, Recorders, Relative Humidity Measurement Instruments, PT100 Probes, PT100 Elements, Temperature & Process Meters, Timers and Counters, Temperature and Process Controllers and Power Switching Devices, Thermistor Elements, Probes and Assemblies, Thermocouples, Thermowells and Head and Well Assemblies, Transmitters, Thermocouple Wire, RTD Probes

• Flow and Level

Air Velocity Indicators, Doppler Flowmeters, Level Measurement, Magnetic Flowmeters, Mass Flowmeters, Pitot Tubes, Pumps, Rotameters, Turbine and Paddle Wheel Flowmeters, Ultrasonic Flowmeters, Valves, Variable Area Flowmeters, Vortex Shedding Flowmeters

• pH and Conductivity

Conductivity Instrumentation, Dissolved Oxygen Instrumentation, Environmental Instrumentation, pH Electrodes and Instruments, Water and Soil Analysis Instrumentation

• Data Acquisition

Communication Products and Converters, Data Acquisition and Analysis Software, Data Loggers Plug-in Cards, Signal Conditioners, USB, RS232, RS485, Ethernet and Parallel Port Data Acquisition Systems, Wireless Transmitters and Receivers

• Pressure, Strain and Force

Displacement Transducers, Dynamic Measurement Force Sensors, Instrumentation for Pressure and Strain Measurements, Load Cells, Pressure Gauges, Pressure Reference Section, Pressure Switches, Pressure Transducers, Proximity Transducers, Regulators, Pressure Transmitters, Strain Gauges, Torque Transducers, Valves

• Heaters

Band Heaters, Cartridge Heaters, Circulation Heaters, Comfort Heaters, Controllers, Meters and Switching Devices, Flexible Heaters, General Test and Measurement Instruments, Heater Hook-up Wire, Heating Cable Systems, Immersion Heaters, Process Air and Duct, Heaters, Radiant Heaters, Strip Heaters, Tubular Heaters