

HEAVY-DUTY OVER-THE-SIDE IMMERSION HEATERS

TLC and KTLC Series Starts at

\$190



FEATURES

- ✓ Copper Sheath and Riser (40 W/in²)
- ✓ Steel Sheath and Riser (20 W/in²)
- ✓ Stainless Steel Sheath and Riser (40 W/in²)
- ✓ Incoloy Sheath and Riser (40 W/in²)
- ✓ 91 and 122 cm (36 and 48") Riser Heights
- ✓ Moisture Resistant Terminal Enclosure
- ✓ Thermowell
- ✓ 10 cm (4") Sludge Legs Increases A Dimension 8.9 cm (3½") Keeping Heated Section off Bottom of Tank

TLC and KTLC Series: Copper sheath heating elements for clean water.

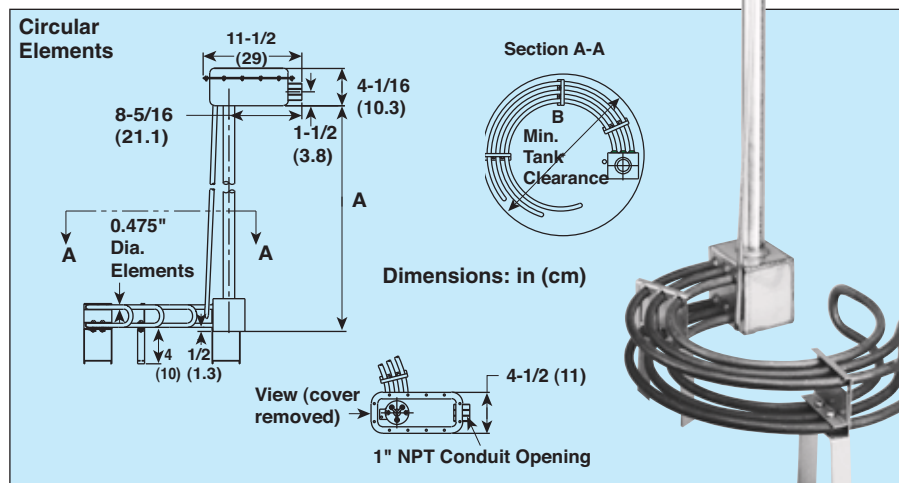
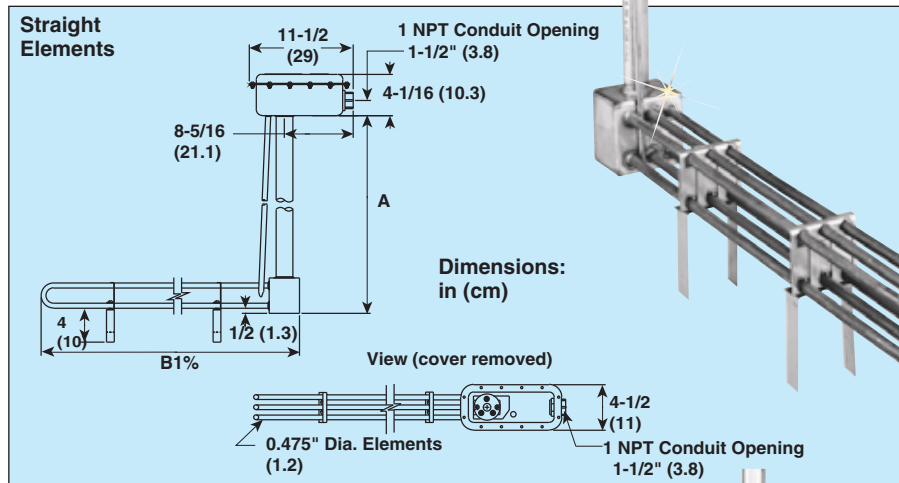
TLS and KTLS Series: Stainless steel sheath heating elements for mild corrosive solutions.

TLI and KTLI Series: Incoloy sheath heating elements for corrosive fluids.

TLO and KTLO Series: Steel sheath heating elements for medium weight oils.

Optional Thermostat Kits: Containing OMEGALUX® AR-type thermostat and mounting hardware are available to fit in heater terminal box.

Lightweight, portable, easy to install L-shape construction, puts the heat at the bottom of the tank and the terminal enclosure at the top of the



tank. These heaters are convenient answers for many immersion. Heating applications capacities, dimensions and sheaths fit a wide range of heating applications. Easy to install and remove for cleaning with straight or circular element designs to fit many tank configurations.

Construction: All wetted parts of these immersions heaters are made of the same metal or ally for optimum corrosion resistance.

All gasketed terminal boxes are steel, coated with acid resistant paint finish.

Corrosion Resistance: Wide choice of sheath materials should provide corrosion resistance in heating liquids. Check chemical composition of solution before selecting sheath material.

Sludge legs, or compatible metals, keep heated section off bottom of vessel, 10 cm (4") standard height. Included with each heater [increases A Dimension by 8.9 cm (3½")]. Sludge legs are standard on all heaters.

MOST POPULAR MODELS HIGHLIGHTED!

OPTIONAL THERMOSTAT KITS

AR-115-KIT-4 0-100°F \$190

AR-219-KIT-4 60-250°F 190

AR-519-KIT-4* 200-550°F 190

* Note: Not UL Listed or CSA Certified with 200-550°F Thermostat Kit.

Caution: Contact OMEGALUX® when bath temperatures exceed 400°F in any given application.

omega.co.uk[®]

Your One-Stop Source for Process Measurement and Control!

Freephone 0800 488 488 | International +44(0) 161 777 6622 | Fax +44(0) 161 777 6622 | Sales@omega.co.uk

www.omega.co.uk



UNITED STATES

www.omega.com

1-800-TC-OMEGA
Stamford, CT.

CANADA

www.omega.ca

Laval(Quebec)
1-800-TC-OMEGA

GERMANY

www.omega.de

Deckenfronn, Germany
0800-8266342

UNITED KINGDOM

www.omega.co.uk

Manchester, England
0800-488-488
+44-(0)161-777-6611

FRANCE

www.omega.fr

0800-466-342

BENELUX

www.omega.nl

0800-099-33-44



More than 100,000 Products Available!

• Temperature

Calibrators, Connectors, General Test and Measurement Instruments, Handheld Instruments for Temperature Measurement, Ice Point References, Indicating Labels, Crayons, Cements and Lacquers, Infrared Temperature Measurement Instruments, Recorders, Relative Humidity Measurement Instruments, PT100 Probes, PT100 Elements, Temperature & Process Meters, Timers and Counters, Temperature and Process Controllers and Power Switching Devices, Thermistor Elements, Probes and Assemblies, Thermocouples, Thermowells and Head and Well Assemblies, Transmitters, Thermocouple Wire, RTD Probes

• Flow and Level

Air Velocity Indicators, Doppler Flowmeters, Level Measurement, Magnetic Flowmeters, Mass Flowmeters, Pitot Tubes, Pumps, Rotameters, Turbine and Paddle Wheel Flowmeters, Ultrasonic Flowmeters, Valves, Variable Area Flowmeters, Vortex Shedding Flowmeters

• pH and Conductivity

Conductivity Instrumentation, Dissolved Oxygen Instrumentation, Environmental Instrumentation, pH Electrodes and Instruments, Water and Soil Analysis Instrumentation

• Data Acquisition

Communication Products and Converters, Data Acquisition and Analysis Software, Data Loggers Plug-in Cards, Signal Conditioners, USB, RS232, RS485, Ethernet and Parallel Port Data Acquisition Systems, Wireless Transmitters and Receivers

• Pressure, Strain and Force

Displacement Transducers, Dynamic Measurement Force Sensors, Instrumentation for Pressure and Strain Measurements, Load Cells, Pressure Gauges, Pressure Reference Section, Pressure Switches, Pressure Transducers, Proximity Transducers, Regulators, Pressure Transmitters, Strain Gauges, Torque Transducers, Valves

• Heaters

Band Heaters, Cartridge Heaters, Circulation Heaters, Comfort Heaters, Controllers, Meters and Switching Devices, Flexible Heaters, General Test and Measurement Instruments, Heater Hook-up Wire, Heating Cable Systems, Immersion Heaters, Process Air and Duct, Heaters, Radiant Heaters, Strip Heaters, Tubular Heaters