

STRIP HEATERS—3 TERMINALS/3 HEAT

TH and STTH Series
Starts at

\$92



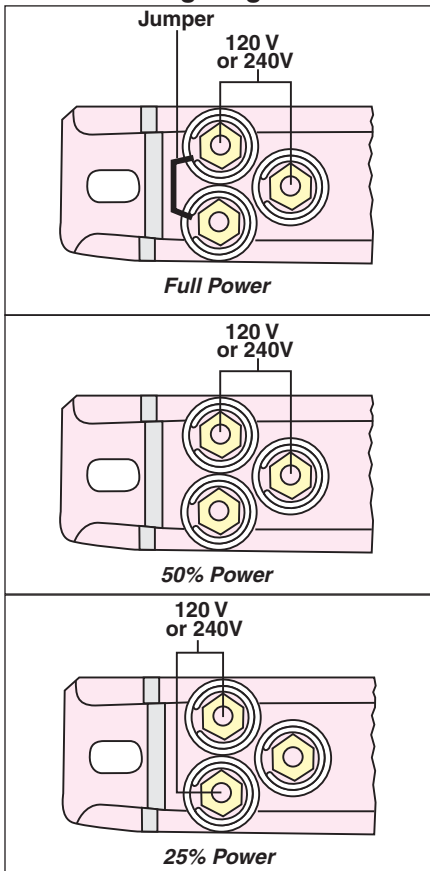
- 1½" (3.8 cm) Wide
- Rugged, Reliable Premium Quality
- 400 to 3000 Watt
- CSA Certified

Three terminals split the total rated wattage into two equal circuits. By using a three-heat switch ¼, ½ or full wattage may be obtained. Use the two equal circuits in parallel to obtain full wattage.

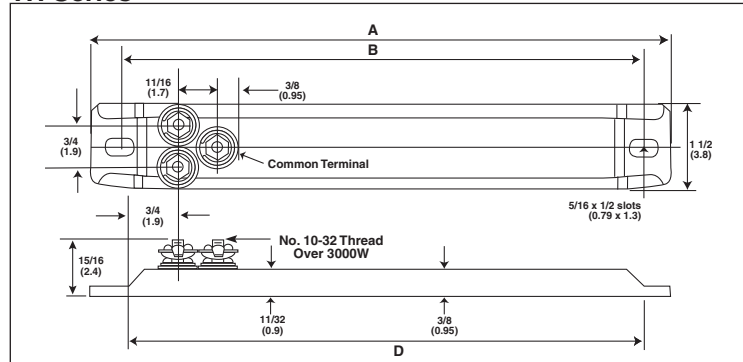
SPECIFICATION

Sheath Material: Chrome Steel
Max Sheath Temp: 649°C (1200°F)
Power: 120 Vac or 240 Vac

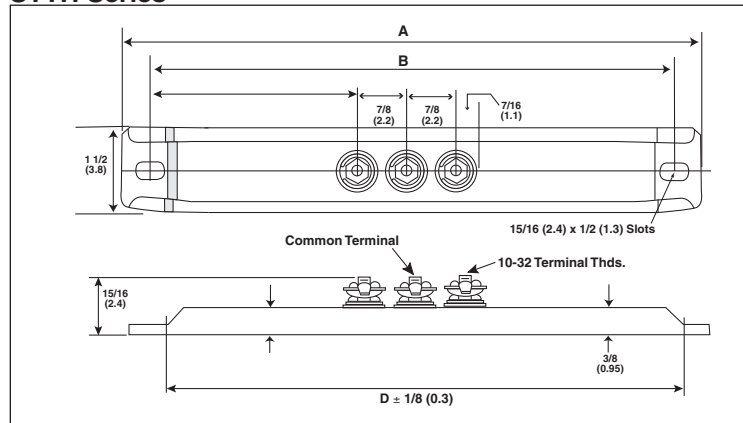
Wiring Diagrams



TH Series



STTH Series



Dimensions: inches (cm)

MOST POPULAR MODELS HIGHLIGHTED!

To Order (Specify Model Number)

Dimensions-Inches (cm)							
A	B	D	Watts	W/in ²	Model No.	Price	Wt. (Lb.)
TH Series							
10½ (27)	9½ (24)	9 (23)	400	17	TH-10/120	\$92	.75 (0.3)
12 (30)	11 (28)	10½ (27)	500	17	TH-12/*	95	.88 (0.4)
15¼ (39)	14½ (37)	13¾ (35)	750	18	TH-15/*	97	1.13 (0.5)
17¾ (45)	16¾ (43)	16¾ (42)	1000	20	TH-18/*	103	1.38 (0.6)
23¾ (60)	22¾ (60)	22¼ (57)	1250	17	TH-24/*	114	1.38 (0.6)
30½ (77)	29¾ (75)	28 (71)	1500	16	TH-30/*	156	2.38 (1.08)
35½ (91)	34¾ (88)	33¾ (85)	1750	15	TH-36/*	171	2.88 (1.3)
42½ (108)	41¾ (105)	40 (102)	1500	11	TH-43/*	188	3.38 (1.5)
42½ (108)	41¾ (106)	40 (102)	2000	15	TH-431/*	188	3.38 (1.5)
47¾ (122)	46¾ (119)	45¾ (115)	1700	11	TH-48/*	216	3.70 (1.7)
47¾ (122)	46¾ (119)	45¾ (115)	2250	14	TH-481/*	216	3.70 (1.7)
53¾ (137)	52¾ (134)	51¾ (130)	2000	11	TH-54/*	234	4.12 (1.9)
53¾ (137)	52¾ (134)	51¾ (130)	2500	14	TH-541/*	234	4.12 (1.9)
63¾ (162)	62¾ (160)	61¾ (156)	2250	10	TH-64/*	264	4.85 (2.2)
63¾ (162)	62¾ (160)	61¾ (156)	3000	13	TH-641/*	264	4.85 (2.2)
71¾ (183)	70¾ (180)	69¾ (176)	2500	10	TH-72/*	296	5.65 (2.6)
71¾ (183)	70¾ (180)	69¾ (176)	3000	13	TH-721/240	296	5.65 (2.6)
Type STTH							
23 (58)	22 (56)	21½ (55)	750	12	STTH-2307	137	1.38 (0.6)
23¾ (60)	22¾ (60)	22¼ (57)	1000	15	STTH-2401	137	1.38 (0.6)

* Designate voltage, i.e.; insert "120" for 120 Vac or "240" for 240 Vac. Those model numbers containing /120 or /240 are only available in that voltage.

† To determine maximum allowable watt density, see Figures C-8 or C-9 (page 80).

Ordering Example: TH-36/120, 3 Terminal 120 Vac, strip heater, \$171.

omega.co.uk[®]

Your One-Stop Source for Process Measurement and Control!

Freephone 0800 488 488 | International +44(0) 161 777 6622 | Fax +44(0) 161 777 6622 | Sales@omega.co.uk

www.omega.co.uk



UNITED STATES

www.omega.com

1-800-TC-OMEGA
Stamford, CT.

UNITED KINGDOM

www.omega.co.uk

Manchester, England
0800-488-488
+44-(0)161-777-6611

CANADA

www.omega.ca

Laval(Quebec)
1-800-TC-OMEGA

FRANCE

www.omega.fr

0800-466-342

GERMANY

www.omega.de

Deckenfronn, Germany
0800-8266342

BENELUX

www.omega.nl

0800-099-33-44



More than 100,000 Products Available!

• Temperature

Calibrators, Connectors, General Test and Measurement Instruments, Handheld Instruments for Temperature Measurement, Ice Point References, Indicating Labels, Crayons, Cements and Lacquers, Infrared Temperature Measurement Instruments, Recorders, Relative Humidity Measurement Instruments, PT100 Probes, PT100 Elements, Temperature & Process Meters, Timers and Counters, Temperature and Process Controllers and Power Switching Devices, Thermistor Elements, Probes and Assemblies, Thermocouples, Thermowells and Head and Well Assemblies, Transmitters, Thermocouple Wire, RTD Probes

• Flow and Level

Air Velocity Indicators, Doppler Flowmeters, Level Measurement, Magnetic Flowmeters, Mass Flowmeters, Pitot Tubes, Pumps, Rotameters, Turbine and Paddle Wheel Flowmeters, Ultrasonic Flowmeters, Valves, Variable Area Flowmeters, Vortex Shedding Flowmeters

• pH and Conductivity

Conductivity Instrumentation, Dissolved Oxygen Instrumentation, Environmental Instrumentation, pH Electrodes and Instruments, Water and Soil Analysis Instrumentation

• Data Acquisition

Communication Products and Converters, Data Acquisition and Analysis Software, Data Loggers Plug-in Cards, Signal Conditioners, USB, RS232, RS485, Ethernet and Parallel Port Data Acquisition Systems, Wireless Transmitters and Receivers

• Pressure, Strain and Force

Displacement Transducers, Dynamic Measurement Force Sensors, Instrumentation for Pressure and Strain Measurements, Load Cells, Pressure Gauges, Pressure Reference Section, Pressure Switches, Pressure Transducers, Proximity Transducers, Regulators, Pressure Transmitters, Strain Gauges, Torque Transducers, Valves

• Heaters

Band Heaters, Cartridge Heaters, Circulation Heaters, Comfort Heaters, Controllers, Meters and Switching Devices, Flexible Heaters, General Test and Measurement Instruments, Heater Hook-up Wire, Heating Cable Systems, Immersion Heaters, Process Air and Duct, Heaters, Radiant Heaters, Strip Heaters, Tubular Heaters