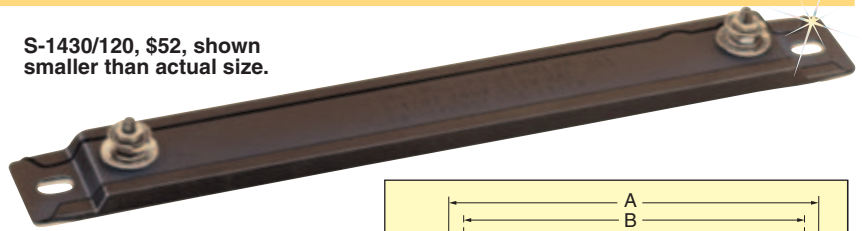


STRIP HEATERS—ONE TERMINAL AT EACH END

S Series Starts at
\$47

S-1430/120, \$52, shown smaller than actual size.



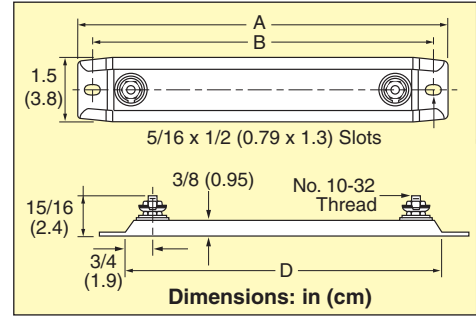
- 1½" Wide
- Rugged, Reliable, Premium Quality
- 150 to 2250 Watt
- UL Component Recognized and CSA Certified

OMEGALUX® "S" Series strip heaters are supplied with either a rust-resisting iron or chrome steel sheath to a width of 1½". Selecting the sheath material depends upon the process and environment that the heaters would be exposed too.

The "S" series features one terminal on each end conforming in many applications. See Introduction Pages for additional strip heater application guidelines.

SPECIFICATIONS

Sheath Material: Rust resisting iron and chrome steel
Max Sheath Temp: Iron 399°C (750°F), chrome steel 649°C (1200°F)
Power: 120 or 240 Vac



CAUTION AND WARNING
 Fire and electrical shock may result if products are used improperly or installed or used by non-qualified personnel. See inside back cover for additional warnings.

MOST POPULAR MODELS HIGHLIGHTED!

| To Order (Specify Model Number) | | | Rust-Resisting Iron Sheath | | | | Chrome Steel Sheath | | | | |
|---------------------------------|-----------|----------|----------------------------|---------------------|-----------|-------|---------------------|---------------------|-----------|-------|-------------|
| Dimensions—Inches (cm) | | | Watts | W/in ² † | Model No. | Price | Watts | W/in ² † | Model No. | Price | Wt. Lb (kg) |
| A | B | D | | | | | | | | | |
| 8 (20) | 7 (18) | 6½ (17) | 150 | 10 | S-815/* | \$47 | 250 | 17 | S-802/* | \$62 | 0.63 (0.16) |
| 9½ (24) | 8½ (22) | 8 (20) | 200 | 10 | S-920/* | 50 | 300 | 15 | S-903/* | 63 | 0.75 (0.34) |
| 12 (30) | 11 (28) | 10½ (27) | 250 | 9 | S-1225/* | 52 | 250 | 9 | S-1202/* | 67 | 0.94 (0.43) |
| 12 (30) | 11 (28) | 10½ (27) | — | — | — | — | 500 | 17 | S-1205/* | 67 | 0.94 (0.43) |
| 14 (36) | 13 (33) | 12½ (32) | 300 | 8 | S-1430/* | 52 | 500 | 14 | S-1405/* | 72 | 1.06 (0.48) |
| 15¼ (39) | 14¼ (36) | 13¾ (35) | 325 | 8 | S-1532/* | 56 | 500 | 12 | S-1505/* | 73 | 1.19 (0.54) |
| 17¾ (45) | 16¾ (43) | 16¾ (42) | 375 | 8 | S-1837/* | 56 | 500 | 10 | S-1805/* | 78 | 1.44 (0.65) |
| 17¾ (45) | 16¾ (43) | 16¾ (42) | 500 | 10 | S-1850/* | 56 | 750 | 15 | S-1807/* | 78 | 1.44 (0.65) |
| 17¾ (45) | 16¾ (43) | 16¾ (42) | — | — | — | — | 1000 | 20 | S-1801/* | 78 | 1.44 (0.65) |
| 19½ (50) | 18½ (47) | 18 (46) | 500 | 9 | S-1950/* | 56 | 500 | 9 | S-1905/* | 81 | 1.5 (0.68) |
| 19½ (50) | 18½ (47) | 18 (46) | — | — | — | — | 750 | 13 | S-1907/* | 81 | 1.57 (0.71) |
| 19½ (50) | 18½ (47) | 18 (46) | — | — | — | — | 1000 | 18 | S-1901/* | 81 | 1.57 (0.71) |
| 21 (53) | 20 (51) | 19½ (50) | 500 | 8 | S-2050/* | 57 | 500 | 9 | S-2005/* | 82 | 1.75 (0.79) |
| 23¼ (60) | 22¼ (58) | 22¼ (57) | 250 | 4 | S-2425/* | 58 | 500 | 7 | S-2405/* | 86 | 1.88 (0.85) |
| 23¼ (60) | 22¼ (58) | 22¼ (57) | 500 | 7 | S-2450/* | 58 | 750 | 10 | S-2407/* | 86 | 1.88 (0.85) |
| 23¼ (60) | 22¼ (58) | 22¼ (57) | — | — | — | — | 1000 | 14 | S-2401/* | 86 | 1.88 (0.85) |
| 23¼ (60) | 22¼ (58) | 22¼ (57) | — | — | — | — | 1500 | 21 | S-2415/* | 86 | 1.88 (0.85) |
| 25½ (65) | 24½ (62) | 24 (61) | 750 | 10 | S-2575/* | 63 | 1000 | 12 | S-2501/* | 88 | 2.01 (0.91) |
| 26¾ (68) | 25¾ (65) | 25¼ (64) | 700 | 8 | S-2670/* | 66 | 750 | 9 | S-2607/* | 91 | 2.13 (0.97) |
| 30½ (77) | 29¾ (75) | 28 (71) | 750 | 8 | S-3075/* | 75 | 750 | 8 | S-3007/* | 101 | 2.13 (0.97) |
| 33½ (85) | 32¾ (82) | 31 (79) | 750 | 7 | S-3375/* | 82 | 1000 | 10 | S-3301/* | 109 | 2.63 (1.2) |
| 35¾ (91) | 34¾ (88) | 33¾ (85) | 1000 | 7 | S-3610/* | 84 | 1000 | 9 | S-3601/* | 117 | 2.83 (1.3) |
| 38½ (98) | 37¾ (95) | 36 (91) | 1000 | 8 | S-3810/* | 97 | 1000 | 8 | S-3801/* | 123 | 3.0 (1.4) |
| 42½ (108) | 41¾ (105) | 40 (102) | 1250 | 9 | S-4312/* | 101 | 1000 | 11 | S-4301/* | 135 | 3.38 (1.5) |

* Designate voltage, i.e.; insert "120" or "240" for voltage. Additional strip heater models available with other widths and configurations. Contact OMEGALUX 1-800-USA-HEAT.

† To determine maximum allowable watt density, see Figures C-8 or C-9 (page 80).

Ordering Examples: S-1405/120, 120 Vac, strip heater with chrome steel sheath and one terminal at each end, \$72.

S-815/120V, 120 Vac strip heater with rust-resisting iron sheath and one terminal at each end, \$47.

omega.co.uk[®]

Your One-Stop Source for Process Measurement and Control!

Freephone 0800 488 488 | International +44(0) 161 777 6622 | Fax +44(0) 161 777 6622 | Sales@omega.co.uk

www.omega.co.uk



UNITED STATES

www.omega.com

1-800-TC-OMEGA
Stamford, CT.

CANADA

www.omega.ca

Laval(Quebec)
1-800-TC-OMEGA

GERMANY

www.omega.de

Deckenfronn, Germany
0800-8266342

UNITED KINGDOM

www.omega.co.uk

Manchester, England
0800-488-488
+44-(0)161-777-6611

FRANCE

www.omega.fr

0800-466-342

BENELUX

www.omega.nl

0800-099-33-44



More than 100,000 Products Available!

• Temperature

Calibrators, Connectors, General Test and Measurement Instruments, Handheld Instruments for Temperature Measurement, Ice Point References, Indicating Labels, Crayons, Cements and Lacquers, Infrared Temperature Measurement Instruments, Recorders, Relative Humidity Measurement Instruments, PT100 Probes, PT100 Elements, Temperature & Process Meters, Timers and Counters, Temperature and Process Controllers and Power Switching Devices, Thermistor Elements, Probes and Assemblies, Thermocouples, Thermowells and Head and Well Assemblies, Transmitters, Thermocouple Wire, RTD Probes

• Flow and Level

Air Velocity Indicators, Doppler Flowmeters, Level Measurement, Magnetic Flowmeters, Mass Flowmeters, Pitot Tubes, Pumps, Rotameters, Turbine and Paddle Wheel Flowmeters, Ultrasonic Flowmeters, Valves, Variable Area Flowmeters, Vortex Shedding Flowmeters

• pH and Conductivity

Conductivity Instrumentation, Dissolved Oxygen Instrumentation, Environmental Instrumentation, pH Electrodes and Instruments, Water and Soil Analysis Instrumentation

• Data Acquisition

Communication Products and Converters, Data Acquisition and Analysis Software, Data Loggers Plug-in Cards, Signal Conditioners, USB, RS232, RS485, Ethernet and Parallel Port Data Acquisition Systems, Wireless Transmitters and Receivers

• Pressure, Strain and Force

Displacement Transducers, Dynamic Measurement Force Sensors, Instrumentation for Pressure and Strain Measurements, Load Cells, Pressure Gauges, Pressure Reference Section, Pressure Switches, Pressure Transducers, Proximity Transducers, Regulators, Pressure Transmitters, Strain Gauges, Torque Transducers, Valves

• Heaters

Band Heaters, Cartridge Heaters, Circulation Heaters, Comfort Heaters, Controllers, Meters and Switching Devices, Flexible Heaters, General Test and Measurement Instruments, Heater Hook-up Wire, Heating Cable Systems, Immersion Heaters, Process Air and Duct, Heaters, Radiant Heaters, Strip Heaters, Tubular Heaters