

STRIP HEATERS

SN and SNH Series Starts at

\$63

- ✓ Rugged, Reliable Premium Quality
- ✓ 100 to 1500 Watts
- ✓ 2 Terminals at One End
- ✓ CSA Certified
- ✓ SN Series: 3/4" (1.9 cm) Width
- ✓ SNH Series: 1" (2.54 cm) Width

SPECIFICATIONS

Sheath Material:

Iron or Chrome Steel

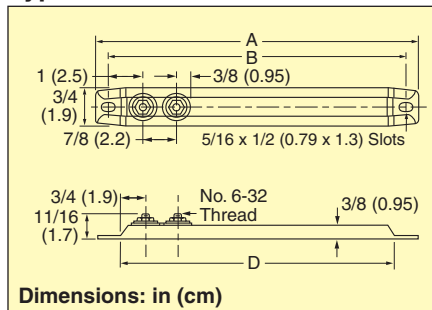
Max Sheath Temp:

Iron: 399°C (750°F)

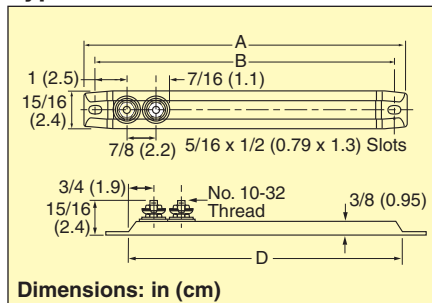
Chrome Steel: 649°C (1200°F)

Power: 120 or 240 Vac

Type SN



Type SNH



CAUTION AND WARNING

Fire and electrical shock may result if products are used improperly or used by non-qualified personnel. See inside back cover for additional warning.



MOST POPULAR MODELS HIGHLIGHTED!

To Order (Specify Model Number)

Dimension: Inches (cm)			Rust-Resisting Iron Sheath				Chrome Steel Sheath		
A	B	D	Watts	W/In ²	Model No.	Price	Model No.	Price	Wt. Lb (kg)
8 (20)	7 (18)	6½ (17)	250	2	—	—	SNH-08/120	\$65	0.36 (0.16)
9½ (24)	8½ (22)	8 (20)	100	8	SN-910/120	\$63	—	—	0.38 (0.17)
9½ (24)	8½ (22)	8 (20)	300	21	—	—	SNH-09/120	66	0.38 (0.17)
10½ (27)	9½ (24)	9 (23)	150	11	SN-1015/120	66	—	—	0.5 (0.2)
11 (28)	10 (25)	9½ (24)	350	19	—	—	SNH-11/120	68	0.5 (0.2)
12 (30)	11 (28)	10½ (27)	150	9	SN-1215/120	66	—	—	0.63 (0.29)
12 (30)	11 (28)	10½ (27)	400	19	—	—	SNH-12/*	72	0.63 (0.29)
14 (36)	13 (33)	12½ (32)	450	17	—	—	SNH-14/*	74	0.70 (0.32)
15¼ (39)	14¼ (36)	13¾ (35)	200	8	SN-1520/*	70	—	—	0.75 (0.34)
15¼ (39)	14¼ (36)	13¾ (35)	500	17	—	—	SNH-15/	76	0.75 (0.34)
17⅞ (45)	16⅞ (43)	16⅞ (42)	250	8	SN-1825/*	74	—	—	0.85 (0.39)
17⅞ (45)	16⅞ (43)	16⅞ (42)	600	1	—	—	SNH-18/*	82	0.85 (0.39)
19½ (50)	18½ (47)	18 (46)	600	15	—	—	SNH-19/*	115	0.96 (0.44)
21 (53)	20 (53)	19½ (50)	750	17	—	—	SNH-21/*	116	1.0 (0.45)
22½ (57)	21½ (55)	21 (53)	750	16	—	—	SNH-22/*	117	1.0 (0.45)
23¾ (60)	22¾ (58)	22¼ (57)	300	7	SN-2430/*	83	—	—	1.0 (0.45)
23¾ (60)	22¾ (58)	22¼ (57)	800	16	—	—	SNH-24/*	126	1.1 (0.45)
25½ (65)	24½ (62)	24 (61)	900	16	—	—	SNH-25/*	126	1.1 (0.50)
27½ (70)	26½ (67)	26 (66)	900	14	—	—	SNH-27/*	129	1.1 (0.50)
28¾ (73)	27¾ (70)	27¼ (69)	1000	16	—	—	SNH-28/*	130	1.25 (0.57)
30⅞ (77)	29⅞ (75)	28⅞ (73)	450	8	SN-3045/*	92	—	—	1.25 (0.57)
30½ (77)	29⅞ (75)	28 (71)	1000	15	—	—	SNH-30/*	147	1.25 (0.57)
33½ (85)	32⅞ (82)	31 (79)	1000	14	—	—	SNH-33/*	157	1.4 (0.64)
35¾ (91)	34¾ (88)	34¼ (87)	600	9	SN-3660/*	109	—	—	1.5 (0.68)
35⅞ (91)	3¼ (88)	33⅞ (85)	1000	13	—	—	SNH-36/*	164	1.5 (0.68)
38½ (98)	37¾ (95)	36 (91)	1250	15	—	—	SNH-38/*	168	1.60 (0.73)
39⅞ (101)	38¾ (98)	37⅞ (95)	1250	14	—	—	SNH-40/*	173	1.60 (0.73)
42½ (108)	41¾ (106)	40 (102)	1250	13	—	—	SNH-43/*	180	1.80 (0.82)
43⅞ (111)	42⅞ (108)	41⅞ (105)	1250	13	—	—	SNH-44/*	199	1.80 (0.82)
45⅞ (117)	44¾ (114)	43⅞ (110)	1500	14	—	—	SNH-46/*	205	1.94 (0.88)
47⅞ (122)	46¾ (119)	45⅞ (115)	1500	14	—	—	SNH-48/*	205	2.0 (0.91)
50⅞ (129)	49¾ (126)	48⅞ (123)	1500	13	—	—	SNH-51/	235	2.13 (0.97)
53⅞ (136)	52¾ (134)	51⅞ (130)	1500	12	—	—	SNH-54/	235	2.25 (1.0)

* Designate voltage, i.e.; insert "120" for 120 Vac or "240" for 240 Vac. Model numbers containing /120 or /240 are only available in that voltage.

† To determine maximum allowable watt density, see Figures C-10 (page 80).

Ordering Examples: SNH-08/120, 1" wide strip heater with chrome steel sheath and two terminals at one end, \$65.

SN-910/120, ¾" wide strip heater with rust resisting iron sheath and two terminals at one end, \$63.

omega.co.uk[®]

Your One-Stop Source for Process Measurement and Control!

Freephone 0800 488 488 | International +44(0) 161 777 6622 | Fax +44(0) 161 777 6622 | Sales@omega.co.uk

www.omega.co.uk



UNITED STATES

www.omega.com

1-800-TC-OMEGA
Stamford, CT.

UNITED KINGDOM

www.omega.co.uk

Manchester, England
0800-488-488
+44-(0)161-777-6611

CANADA

www.omega.ca

Laval(Quebec)
1-800-TC-OMEGA

FRANCE

www.omega.fr

0800-466-342

GERMANY

www.omega.de

Deckenfronn, Germany
0800-8266342

BENELUX

www.omega.nl

0800-099-33-44



More than 100,000 Products Available!

• Temperature

Calibrators, Connectors, General Test and Measurement Instruments, Handheld Instruments for Temperature Measurement, Ice Point References, Indicating Labels, Crayons, Cements and Lacquers, Infrared Temperature Measurement Instruments, Recorders, Relative Humidity Measurement Instruments, PT100 Probes, PT100 Elements, Temperature & Process Meters, Timers and Counters, Temperature and Process Controllers and Power Switching Devices, Thermistor Elements, Probes and Assemblies, Thermocouples, Thermowells and Head and Well Assemblies, Transmitters, Thermocouple Wire, RTD Probes

• Flow and Level

Air Velocity Indicators, Doppler Flowmeters, Level Measurement, Magnetic Flowmeters, Mass Flowmeters, Pitot Tubes, Pumps, Rotameters, Turbine and Paddle Wheel Flowmeters, Ultrasonic Flowmeters, Valves, Variable Area Flowmeters, Vortex Shedding Flowmeters

• pH and Conductivity

Conductivity Instrumentation, Dissolved Oxygen Instrumentation, Environmental Instrumentation, pH Electrodes and Instruments, Water and Soil Analysis Instrumentation

• Data Acquisition

Communication Products and Converters, Data Acquisition and Analysis Software, Data Loggers Plug-in Cards, Signal Conditioners, USB, RS232, RS485, Ethernet and Parallel Port Data Acquisition Systems, Wireless Transmitters and Receivers

• Pressure, Strain and Force

Displacement Transducers, Dynamic Measurement Force Sensors, Instrumentation for Pressure and Strain Measurements, Load Cells, Pressure Gauges, Pressure Reference Section, Pressure Switches, Pressure Transducers, Proximity Transducers, Regulators, Pressure Transmitters, Strain Gauges, Torque Transducers, Valves

• Heaters

Band Heaters, Cartridge Heaters, Circulation Heaters, Comfort Heaters, Controllers, Meters and Switching Devices, Flexible Heaters, General Test and Measurement Instruments, Heater Hook-up Wire, Heating Cable Systems, Immersion Heaters, Process Air and Duct, Heaters, Radiant Heaters, Strip Heaters, Tubular Heaters