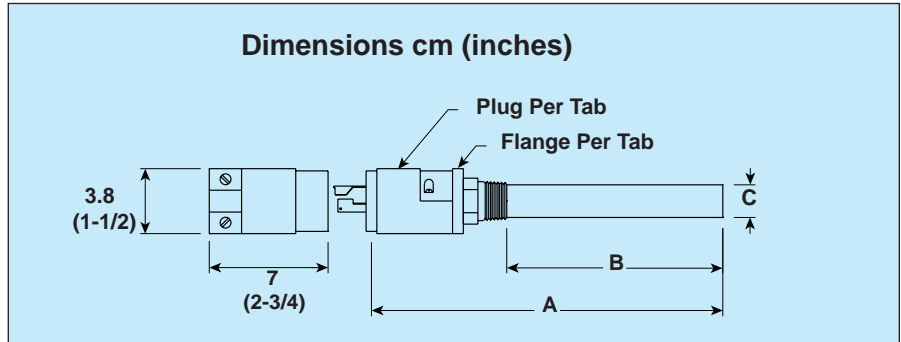


SCREW PLUG IMMERSION HEATERS FOR SMALL TANKS

RI, RIO, RIS Series



- ✓ Stocked for Fast Delivery
- ✓ 1/2" and 3/4" NPT
- ✓ Cartridge Type Element
- ✓ Premium Quality
- ✓ Rugged Construction



To Order (Specify Model Number)

Type RI with Incoloy Sheath — Brass Pipe Thread

Watts	Phase	W/in ²	Dimensions - cm (in.)			Std. Pipe Thd.	Model No.	Price	Wt. kg (lb)
			A	B	C				
100	1	31	12 (4 7/8)	4 (1 1/2)	1.6 (5/8)	1/2	RI-100/120V	\$115	1 (3)
250	1	33	17 (6 7/8)	9 (3 1/2)	1.6 (5/8)	1/2	RI-250/(*)	120	2 (4)
500	1	34	30 (11 5/8)	16 (7 7/8)	1.6 (5/8)	1/2	RI-500/(*)	127	5 (10)
750	1	33	40 (15 5/8)	30 (12)	1.6 (5/8)	1/2	RI-750/(*)	136	6 (14)
300	1	30	21 (8 1/8)	12 (4 11/16)	1.6 (5/8)	3/4	RI-1300/(*)	126	4 (8)
500	1	36	26 (10 1/8)	16 (6 5/8)	1.9 (3/4)	3/4	RI-1500/(*)	136	4 (9)
750	1	32	37 (14 3/8)	27 (10 9/16)	1.9 (3/4)	3/4	RI-1750/(*)	144	6 (13)
1000	1	32	37 (14 3/8)	34 (13 3/8)	1.9 (3/4)	3/4	RI-1100/(*)	158	7 (15)

These screw plug immersion heaters feature a dead front nylon twist-lock grounded plug with receptacle. Cord is supplied by the user. The cartridge element is brazed to a standard 1/2" or 3/4" screw plug.

SPECIFICATIONS

Power: 100 to 1000 watts

Voltage: 120 or 240 Vac, 1 phase

Watt Density: 20-36 W/in²

Sheath: Type RI has a 1.6 cm (5/8") or 1.9 cm (3/4") Incoloy sheath; Type RIO has a 1.6 cm (5/8") or 1.9 cm (3/4") diameter stainless steel sheath; Type RIS has a 1.6 cm (5/8") diameter passivated stainless steel sheath.

Screw Plug:

Type RI has 1/2" or 3/4" NPT brass screw plug; Type RIO has 1/2" or 3/4" NPT steel screw plug; Type RIS has 1/2" NPT passivated stainless steel screw plug.

Type RIO with SS Sheath — Steel Pipe Thread

Watts	Phase	W/in ²	Dimensions - cm (in.)			Std. Pipe Thd.	Model No.	Price	Wt. kg (lb)
			A	B	C				
150	1	20	17 (6 5/8)	9 (3 1/2)	1.6 (5/8)	1/2	RIO-150/120V	\$120	2 (4)
300	1	20	28 (10 5/8)	16 (7 7/8)	1.6 (5/8)	1/2	RIO-300/(*)	127	5 (10)
500	1	22	39 (15 5/8)	30 (12)	1.6 (5/8)	1/2	RIO-500/(*)	136	6 (14)
200	1	20	21 (8 1/8)	12 (4 11/16)	1.9 (3/4)	3/4	RIO-1200/(*)	126	4 (8)
300	1	22	26 (10 1/8)	16 (6 5/8)	1.9 (3/4)	3/4	RIO-1300/(*)	136	4 (9)
500	1	21	37 (14 3/8)	27 (10 9/16)	1.9 (3/4)	3/4	RIO-1500/(*)	144	6 (13)
600	1	20	44 (17 3/8)	34 (13 3/8)	1.9 (3/4)	3/4	RIO-1600/(*)	158	7 (15)

Type RIS with Passivated SS Sheath and Screw Plug

Watts	Phase	W/in ²	Dimensions - cm (in.)			Std. Pipe Thd.	Model No.	Price	Wt. kg (lb)
			A	B	C				
250	1	35	17 (6 5/8)	9 (3 1/2)	1.6 (5/8)	1/2	RIS-255/120V	\$299	3 (6)
500	1	28	28 (10 5/8)	20 (7 7/8)	1.6 (5/8)	1/2	RIS-505/120V	332	5 (10)
750	1	31	38 (15 1/8)	30 (12)	1.6 (5/8)	1/2	RIS-755/120V	357	7 (15)

CAUTION AND WARNING!

Fire and electrical shock may result if products are used improperly or installed or used by non-qualified personnel.

(*) Specify Voltage: Insert **120V** for 120 Vac or **240V** for 240 Vac.

Ordering Example: Model RIO-500/240 is a 500 watt heater with 1.6 cm (5/8") dia. stainless steel sheath and 1/2" NPT steel screw plug powered by 240 Vac, \$136.

omega.co.uk[®]

Your One-Stop Source for Process Measurement and Control!

Freephone 0800 488 488 | International +44(0) 161 777 6622 | Fax +44(0) 161 777 6622 | Sales@omega.co.uk

www.omega.co.uk



UNITED STATES

www.omega.com

1-800-TC-OMEGA
Stamford, CT.

CANADA

www.omega.ca

Laval(Quebec)
1-800-TC-OMEGA

GERMANY

www.omega.de

Deckenfronn, Germany
0800-8266342

UNITED KINGDOM

www.omega.co.uk

Manchester, England
0800-488-488
+44-(0)161-777-6611

FRANCE

www.omega.fr

0800-466-342

BENELUX

www.omega.nl

0800-099-33-44



More than 100,000 Products Available!

• Temperature

Calibrators, Connectors, General Test and Measurement Instruments, Handheld Instruments for Temperature Measurement, Ice Point References, Indicating Labels, Crayons, Cements and Lacquers, Infrared Temperature Measurement Instruments, Recorders, Relative Humidity Measurement Instruments, PT100 Probes, PT100 Elements, Temperature & Process Meters, Timers and Counters, Temperature and Process Controllers and Power Switching Devices, Thermistor Elements, Probes and Assemblies, Thermocouples, Thermowells and Head and Well Assemblies, Transmitters, Thermocouple Wire, RTD Probes

• Flow and Level

Air Velocity Indicators, Doppler Flowmeters, Level Measurement, Magnetic Flowmeters, Mass Flowmeters, Pitot Tubes, Pumps, Rotameters, Turbine and Paddle Wheel Flowmeters, Ultrasonic Flowmeters, Valves, Variable Area Flowmeters, Vortex Shedding Flowmeters

• pH and Conductivity

Conductivity Instrumentation, Dissolved Oxygen Instrumentation, Environmental Instrumentation, pH Electrodes and Instruments, Water and Soil Analysis Instrumentation

• Data Acquisition

Communication Products and Converters, Data Acquisition and Analysis Software, Data Loggers Plug-in Cards, Signal Conditioners, USB, RS232, RS485, Ethernet and Parallel Port Data Acquisition Systems, Wireless Transmitters and Receivers

• Pressure, Strain and Force

Displacement Transducers, Dynamic Measurement Force Sensors, Instrumentation for Pressure and Strain Measurements, Load Cells, Pressure Gauges, Pressure Reference Section, Pressure Switches, Pressure Transducers, Proximity Transducers, Regulators, Pressure Transmitters, Strain Gauges, Torque Transducers, Valves

• Heaters

Band Heaters, Cartridge Heaters, Circulation Heaters, Comfort Heaters, Controllers, Meters and Switching Devices, Flexible Heaters, General Test and Measurement Instruments, Heater Hook-up Wire, Heating Cable Systems, Immersion Heaters, Process Air and Duct, Heaters, Radiant Heaters, Strip Heaters, Tubular Heaters