

COMPACT FAN HEATER

NEW

HVLO31 Series
Starts at
\$123



- Small, Compact Size Fan Heater
- Built-In Overheat Protection
- DIN Rail Mountable
- Maintains Minimum Operating Temperatures in Enclosures
- Helps to Prevent Failure of Electronic Components Caused by Condensation and Corrosion

This compact heater is designed for many different applications including electrical and electronic enclosures, display panels, access and parking control systems and personnel booths.

To determine the required heater size follow this equation:

$$PH = (A \times \Delta T \times k) - Pv$$

PH = Required heating power for your application in Watts (W)

Pv = Heating power generated by existing components (e.g. a transformer) in Watts (W)

A = Exposed enclosure surface area square meters (m²)

ΔT = Temperature differential between the desired minimum interior temperature and lowest possible external temperature of the enclosure in Kelvin (K), 1.8°F = 1°C = 1K

k = Heat transmission coefficient of the enclosure material used:

- Stainless Steel: 3.7 W/m²K
- Painted Steel: 5.5 W/m²K
- Aluminum: 12 W/m²K
- Polyester/Plastic: 3.5 W/m²K

For outdoor applications it is recommended to double the heating power.

SPECIFICATIONS

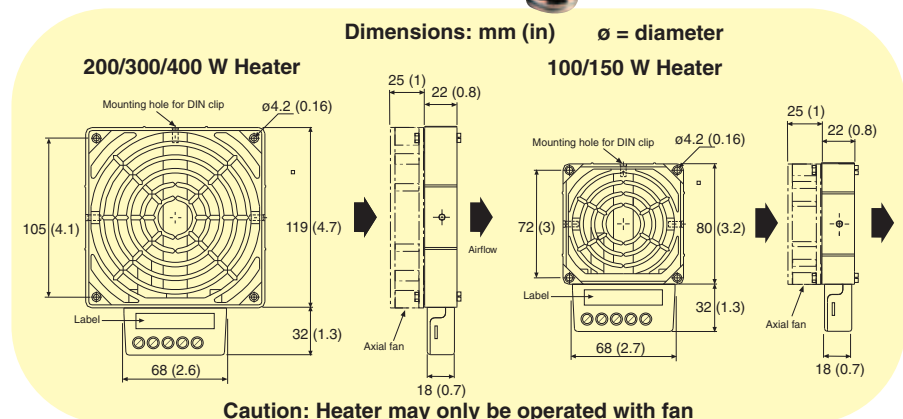
Operating Voltage: 120 Vac

Wattage:

- HVLO3103102.9-00: 100 W
- HVLO3103103.9-00: 150 W
- HVLO3103113.9-00: 200 W
- HVLO3103114.9-00: 300 W
- HVLO3103115.9-00: 400 W



HVLO3103102900, \$123, shown smaller than actual size.



Caution: Heater may only be operated with fan

Heating Element: Resistance type cartridge heater

Heat Sink: Die-cast aluminum, glass bead finish

Required Fan Size (Included):

100/150 W: 80 x 80 x 25 mm (3.1 x 3.1 x 0.98")

Min Air Flow: 35 m³/h (115 ft³/h) (20 cfm)

200/300/400 W: 120 x 120 x 25 mm (4.7 x 4.7 x 0.98")

Min Air Flow: 108 m³/h (354 ft³/h) (63 cfm)

Overheat Protection: Built-in temperature limiter

Air Exit Temperature: Approx. 45°C (113°F) 50 mm (2") above heater

Wiring Compartment: Plastic UL 94V-0

Connection (Heater): 3-pole terminal, AWG 14 max [2.5 mm² (0.10 in²)]

Connection (Axial Fan): 2-pole terminal (L2/N2), AWG 14 max [2.5 mm² (0.10 in²)]

Mounting: Clip for 35 mm (1.4") DIN rail (EN 50022)

Protection Class: I (grounded)

Protection Type: NEMA 2 (IP20)

Weight (with Fan):

100/150 W: 600 g (1.3 lb)

200/300/400 W: 900 g (2.0 lb)

To Order (Specify Model Number)

MOST POPULAR MODELS HIGHLIGHTED!

MODEL NO.	PRICE	DESCRIPTION
HVLO3103102900	\$123	Fan heater, 100 W, 120 Vac
HVLO3103103900	127	Fan heater, 150 W, 120 Vac
HVLO3103113900	136	Fan heater, 200 W, 120 Vac
HVLO3103114900	139	Fan heater, 300 W, 120 Vac
HVLO3103115900	145	Fan heater, 400 W, 120 Vac

Comes complete with operator's manual, mounting kit and axial fan.

Ordering Examples: HVLO3103102900, fan heater, 100 W, \$123.

HVLO3103114900, fan heater, 300 W, 120 Vac, \$139.

omega.co.uk[®]

Your One-Stop Source for Process Measurement and Control!

Freephone 0800 488 488 | International +44(0) 161 777 6622 | Fax +44(0) 161 777 6622 | Sales@omega.co.uk

www.omega.co.uk



UNITED STATES

www.omega.com

1-800-TC-OMEGA
Stamford, CT.

UNITED KINGDOM

www.omega.co.uk

Manchester, England
0800-488-488
+44-(0)161-777-6611

CANADA

www.omega.ca

Laval(Quebec)
1-800-TC-OMEGA

FRANCE

www.omega.fr

0800-466-342

GERMANY

www.omega.de

Deckenfronn, Germany
0800-8266342

BENELUX

www.omega.nl

0800-099-33-44



More than 100,000 Products Available!

• Temperature

Calibrators, Connectors, General Test and Measurement Instruments, Handheld Instruments for Temperature Measurement, Ice Point References, Indicating Labels, Crayons, Cements and Lacquers, Infrared Temperature Measurement Instruments, Recorders, Relative Humidity Measurement Instruments, PT100 Probes, PT100 Elements, Temperature & Process Meters, Timers and Counters, Temperature and Process Controllers and Power Switching Devices, Thermistor Elements, Probes and Assemblies, Thermocouples, Thermowells and Head and Well Assemblies, Transmitters, Thermocouple Wire, RTD Probes

• Flow and Level

Air Velocity Indicators, Doppler Flowmeters, Level Measurement, Magnetic Flowmeters, Mass Flowmeters, Pitot Tubes, Pumps, Rotameters, Turbine and Paddle Wheel Flowmeters, Ultrasonic Flowmeters, Valves, Variable Area Flowmeters, Vortex Shedding Flowmeters

• pH and Conductivity

Conductivity Instrumentation, Dissolved Oxygen Instrumentation, Environmental Instrumentation, pH Electrodes and Instruments, Water and Soil Analysis Instrumentation

• Data Acquisition

Communication Products and Converters, Data Acquisition and Analysis Software, Data Loggers Plug-in Cards, Signal Conditioners, USB, RS232, RS485, Ethernet and Parallel Port Data Acquisition Systems, Wireless Transmitters and Receivers

• Pressure, Strain and Force

Displacement Transducers, Dynamic Measurement Force Sensors, Instrumentation for Pressure and Strain Measurements, Load Cells, Pressure Gauges, Pressure Reference Section, Pressure Switches, Pressure Transducers, Proximity Transducers, Regulators, Pressure Transmitters, Strain Gauges, Torque Transducers, Valves

• Heaters

Band Heaters, Cartridge Heaters, Circulation Heaters, Comfort Heaters, Controllers, Meters and Switching Devices, Flexible Heaters, General Test and Measurement Instruments, Heater Hook-up Wire, Heating Cable Systems, Immersion Heaters, Process Air and Duct, Heaters, Radiant Heaters, Strip Heaters, Tubular Heaters