

# SCREW PLUG IMMERSION HEATERS

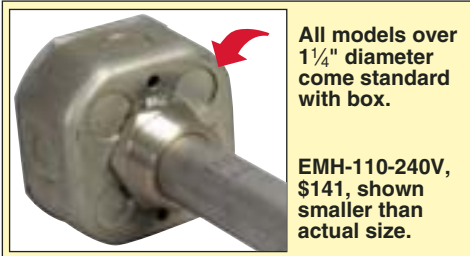
EMH Series Starts at **\$56**



EMH-061-120V, \$70, shown smaller than actual size.



- ✓ 1/2, 3/4, and 1 1/4 NPT Screw Plugs
- ✓ 316 SS Sheath
- ✓ 400 to 1000 W
- ✓ 120 and 240V, 1-Phase
- ✓ Single Thread Pipe Construction



All models over 1 1/4" diameter come standard with box.

EMH-110-240V, \$141, shown smaller than actual size.

**SPECIFICATIONS**

Power: 120 and 240V, 1-phase

Watt Density:

- 5/8" Diameter: 37 W/in<sup>2</sup>
- 3/4" Diameter: 38 W/in<sup>2</sup>
- 1 1/4" Diameter: 24 W/in<sup>2</sup>

Termination:

- 5/8, 3/4" Diameter: 12" fiberglass leads rated to 250°C (482°F), epoxy potting rated to 130°C (266°F)
- 1 1/4" Diameter: 8-32 screw and nut terminals

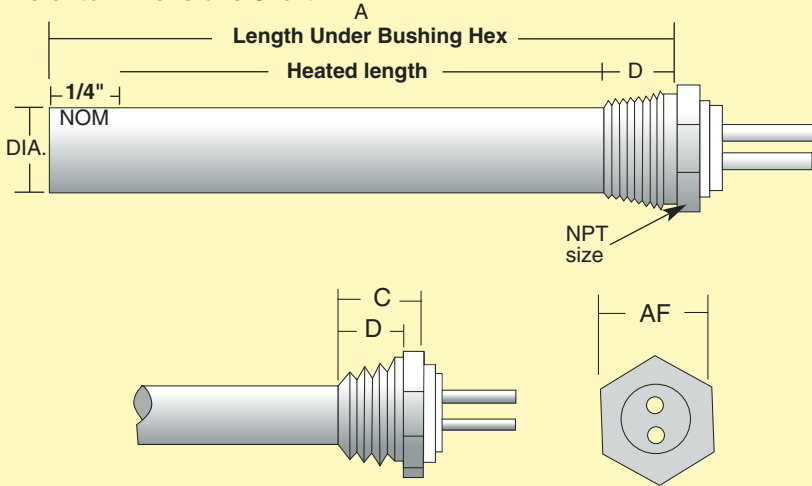
Sheath: 316 SS

Screw Plug and Threads: 316 SS

**TOLERANCES**

Wattage tolerances are held to 5 to 10% at rated voltage. Length tolerances are ±2% with a ±1/16" minimum

Refer to Dimensions Chart



**MOST POPULAR MODELS HIGHLIGHTED!**

**CONSTRUCTION**

1. Welded end
2. Mica
3. Magnesium oxide packing
4. Element wire situated close to outside surface for maximum heat transfer and minimum internal temperature while preserving good dielectric qualities
5. Series 316 SS sheath
6. Mounting bushing
7. Ceramic cap
8. Flexible, stranded, nickel-alloy insulated leads or rust-resistant post terminals

**To Order (Specify Model Number)**

Model No.	Price	Description	Watts*	Dimensions (in)			
				A	C	D	AF
EMH-060-120V	\$56	5/8" diameter, 1/2 NPT	400	6	3/4	9/16	7/8
EMH-060-240V	56	5/8" diameter, 1/2 NPT	400	6	3/4	9/16	7/8
EMH-061-120V	70	3/4" diameter, 3/4 NPT	500	6	7/8	5/8	1 1/8
EMH-061-240V	70	3/4" diameter, 3/4 NPT	500	6	7/8	5/8	1 1/8
EMH-110-120V	141	1 1/4" diameter, 1 1/4 NPT	1000	11	1 3/4	7/8	3
EMH-110-240V	141	1 1/4" diameter, 1 1/4 NPT	1000	11	1 3/4	7/8	3

\* Wattages are based on a unit operating immersed in water.

**Accessories**

Model No.	Price	Description
PE-1010	\$125	Reference Book: Engineering Design Process

Comes complete with operator's manual.

Ordering Examples: EMH-060-120V, 5/8" dia, 1/2 NPT, \$56.

EMH-110-120V, 1 1/4" dia, 1 1/4 NPT screw plug immersion heater, \$141.



# omega.co.uk<sup>®</sup>

Your One-Stop Source for Process Measurement and Control!

Freephone 0800 488 488 | International +44(0) 161 777 6622 | Fax +44(0) 161 777 6622 | Sales@omega.co.uk

[www.omega.co.uk](http://www.omega.co.uk)



#### UNITED STATES

[www.omega.com](http://www.omega.com)

1-800-TC-OMEGA  
Stamford, CT.

#### UNITED KINGDOM

[www.omega.co.uk](http://www.omega.co.uk)

Manchester, England  
0800-488-488  
+44-(0)161-777-6611

#### CANADA

[www.omega.ca](http://www.omega.ca)

Laval(Quebec)  
1-800-TC-OMEGA

#### FRANCE

[www.omega.fr](http://www.omega.fr)

0800-466-342

#### GERMANY

[www.omega.de](http://www.omega.de)

Deckenfronn, Germany  
0800-8266342

#### BENELUX

[www.omega.nl](http://www.omega.nl)

0800-099-33-44



## More than 100,000 Products Available!

### • Temperature

Calibrators, Connectors, General Test and Measurement Instruments, Handheld Instruments for Temperature Measurement, Ice Point References, Indicating Labels, Crayons, Cements and Lacquers, Infrared Temperature Measurement Instruments, Recorders, Relative Humidity Measurement Instruments, PT100 Probes, PT100 Elements, Temperature & Process Meters, Timers and Counters, Temperature and Process Controllers and Power Switching Devices, Thermistor Elements, Probes and Assemblies, Thermocouples, Thermowells and Head and Well Assemblies, Transmitters, Thermocouple Wire, RTD Probes

### • Flow and Level

Air Velocity Indicators, Doppler Flowmeters, Level Measurement, Magnetic Flowmeters, Mass Flowmeters, Pitot Tubes, Pumps, Rotameters, Turbine and Paddle Wheel Flowmeters, Ultrasonic Flowmeters, Valves, Variable Area Flowmeters, Vortex Shedding Flowmeters

### • pH and Conductivity

Conductivity Instrumentation, Dissolved Oxygen Instrumentation, Environmental Instrumentation, pH Electrodes and Instruments, Water and Soil Analysis Instrumentation

### • Data Acquisition

Communication Products and Converters, Data Acquisition and Analysis Software, Data Loggers Plug-in Cards, Signal Conditioners, USB, RS232, RS485, Ethernet and Parallel Port Data Acquisition Systems, Wireless Transmitters and Receivers

### • Pressure, Strain and Force

Displacement Transducers, Dynamic Measurement Force Sensors, Instrumentation for Pressure and Strain Measurements, Load Cells, Pressure Gauges, Pressure Reference Section, Pressure Switches, Pressure Transducers, Proximity Transducers, Regulators, Pressure Transmitters, Strain Gauges, Torque Transducers, Valves

### • Heaters

Band Heaters, Cartridge Heaters, Circulation Heaters, Comfort Heaters, Controllers, Meters and Switching Devices, Flexible Heaters, General Test and Measurement Instruments, Heater Hook-up Wire, Heating Cable Systems, Immersion Heaters, Process Air and Duct, Heaters, Radiant Heaters, Strip Heaters, Tubular Heaters