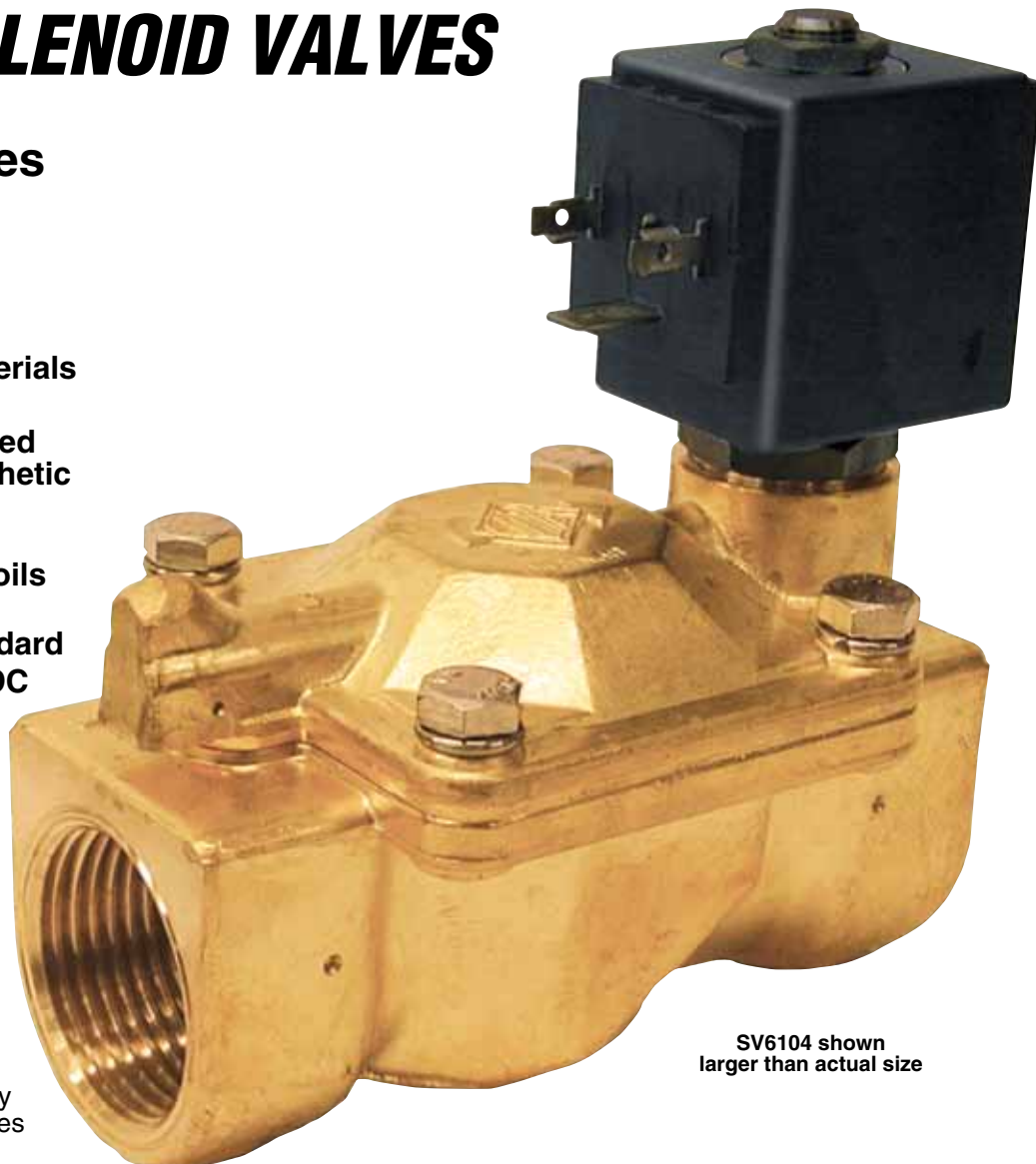


LEAD-FREE BRASS 2-WAY SOLENOID VALVES

SV6100 Series



- ✓ NSF Approved Materials
- ✓ Normally Closed
- ✓ Ideal for Compressed Air, Inert Gas, Synthetic Oils and Water
- ✓ 120 Vac Standard (220 Vac and DC Coils are Optional)
- ✓ 8 W, AC Coils Standard
- ✓ 12 or 14 W, AC or DC Coils Available For Many Models



SV6104 shown larger than actual size

SV6100 Series 2-way solenoid valves are internally piloted with assisted lift valves featuring lead-free Brass, stainless steel construction and FKM seal material. The temperature range from -10 to 137°C (14 to 280°F) and FKM O-ring material is ideal for neutral media such as compressed air, inert gases, synthetic oils and water.

A strain-relief connector is supplied with each unit. A ½" conduit plug is also available.

SPECIFICATIONS

Mounting Position: Any (preferably with solenoid system upright)

Operating Ambient:

FKM O-Ring: -10 to 137°C (14 to 280°F)

Maximum Process Temperature:

Coil dependent (see ratings on coils)

Voltage Tolerance: ±10%

Opening Time (msec):

200 to 500 approximately

Closing Time (msec):

100 to 4000 approximately

Cycling Rate: approximately

10 to 50 cpm

Duty Cycle: Continuous (100%)

Coil Molding Material:

Black Polyester (Class F):

SV8COIL-115AC,

SV8COIL-24DC/60HZ,

SV8COIL-220AC

Black Polyamide (Class F):

SV8COIL-12DC,

SV8COIL-24DC,

All 12 Watt coils

Black Polyphenylsulfide

(Class H): SV8COIL-115/60HZ

Black Epoxy Resin (Class H):

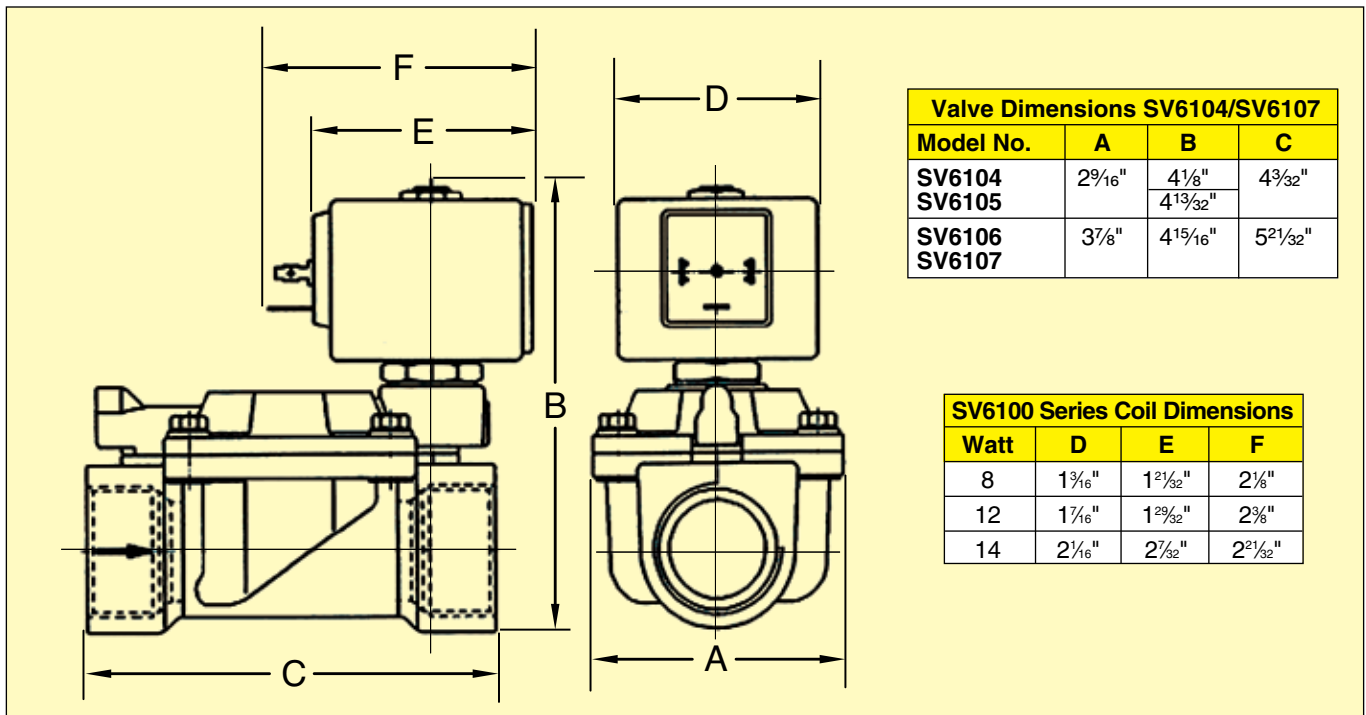
All 14 watt coils

Materials of Construction

Body	Lead-free brass
Armature Tube	Stainless steel 300
Fixed Core	Stainless steel 400
Plunger	Stainless steel 400
Spring	Stainless steel 300
Shading Ring	Copper
Orifice	Lead-free brass

Coil Specifications

Coil	Inrush VA	Holding VA
8 W	25	14
12 W	36	23
14 W	43	27



Valve Dimensions SV6104/SV6107			
Model No.	A	B	C
SV6104	2 ⁹ / ₁₆ "	4 ¹ / ₈ "	4 ³ / ₃₂ "
SV6105		4 ¹³ / ₃₂ "	
SV6106	3 ⁷ / ₈ "	4 ¹⁵ / ₁₆ "	5 ²¹ / ₃₂ "
SV6107			

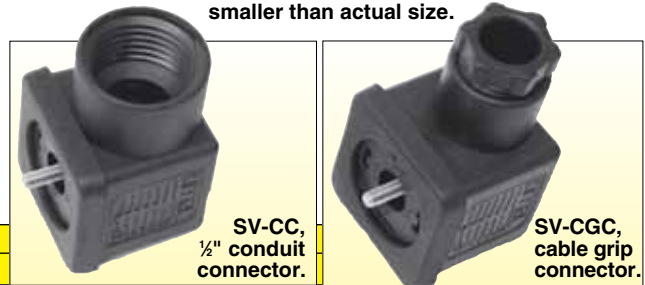
SV6100 Series Coil Dimensions			
Watt	D	E	F
8	1 ³ / ₁₆ "	1 ²¹ / ₃₂ "	2 ¹ / ₈ "
12	1 ⁷ / ₁₆ "	1 ²⁹ / ₃₂ "	2 ³ / ₈ "
14	2 ¹ / ₁₆ "	2 ⁷ / ₃₂ "	2 ²¹ / ₃₂ "

To Order Visit omega.com/sv6100 for Pricing and Details

Normally Closed Model No.	Pipe Size	Orifice Size	Cv Flow Factor	O-Ring	Coils		Operating Pressure		
					Standard	Optional	Minimum psi	M.O.P.D.*	
								AC psi	DC psi
SV6104	3/4"	3/4"	9.8	FKM	8 W	–	2	230	230
SV6105	1"	1"	14	FKM	8 W	–	2	230	230
SV6106	1 1/4"	1 3/8"	28	FKM	8 W	–	2	150	150
SV6107	1 1/2"	1 1/2"	36	FKM	8 W	–	2	150	150

* Maximum operational pressure differential.
 Comes complete with operator's manual, 8 W coil and cable grip connector.
Ordering Examples: SV6105, 1 NPT normally closed valve for 1" orifice.
 SV6104-NO, 3/4" normally closed valve for 3/4" orifice.
 SV8COIL-12DC, 8 W coil for 12 Vdc 154°C (310°F) (Class F).

Both models shown smaller than actual size.



Accessories

Model No.	Description
Connectors	
SV-CGC	Cable grip connector
SV-CC	1/2" conduit connector
Coils	
SV8COIL-115AC	Replacement 8W coil for 110 to 120 Vac/50 to 60 Hz 154°C (310°F) (Class F)
SV8COIL-12DC	8W coil for 12 Vdc 154°C (310°F) (Class F)
SV8COIL-24DC	8W coil for 24 Vdc 154°C (310°F) (Class F)
SV8COIL-24AC/60HZ	8W coil for 24 Vac/60Hz 182°C (360°F) (Class F)
SV8COIL-220AC	8W coil for 220 to 240 Vac/50 to 60 Hz 154°C (310°F) (Class F)
SV8COIL-115/60HZ	8W coil for 115 Vac/60 Hz 182°C (360°F) (Class H)
SV12COIL-120/60HZ	12W coil for 120 Vac/60 Hz 154°C (310°F) (Class F)
SV12COIL-12DC	12W coil for 12 Vdc 154°C (310°F) (Class F)
SV12COIL-24DC	12W coil for 24 Vdc 154°C (310°F) (Class F)
SV14COIL-24DC	14W coil for 24 Vdc 182°C (360°F) (Class H)
SV14COIL-24/50-60HZ	14W coil for 24 Vac/50 to 60 Hz 182°C (360°F) (Class H)
SV14COIL-12DC	14W coil for 12 Vdc 182°C (360°F) (Class H)

Ordering Examples: SV-CGC, cable grip connector.
 SV8COIL-12DC, 8W coil for 12 Vdc 154°C (310°F) (Class F).