

LEVEL TRACK MOUNTING SYSTEMS

LVM-11
\$55



LVCN -12, \$50 optional,
visit omega.com/lvcn11_12

- ✓ Adjustable In-Tank Mounting System
- ✓ Mounts Up to Four Sensors
- ✓ Mixer Compatible With Rotational Velocities of Up to 1.5 fps
- ✓ Optional Side Mount Bracket Conveniently Mounts the Track to Tank Wall
- ✓ Permits Different Sensing Technologies for Additional Safety
- ✓ Easy to Adjust with Changing Processes
- ✓ Integral Controller Options Available

OMEGA's level track system is an in-tank (unpressurized tanks only) mounting system that enables the user to install and adjust up to four OMEGA® sensors to any depth along the entire length of the track. The track is made entirely of polypropylene and is available in 0.6, 1.2 or 1.8 m (2, 4, 6, 8 or 10') lengths. Lengths of up to 1.8 m (10') can be special ordered.

Select the level track system for mixing applications with radial velocities up to 1.5 fps (feet per second). The track mounts vertically through the top of the tank with a standard 2 NPT tank adaptor. Each track kit includes a 2 NPT fitting assembly, a two, four or six foot track section, and one sensor car. Additional sensor cars can be purchased separately. Sensors are all sold separately.

SPECIFICATIONS

Track Length: Available in 0.6, 1.2 or 1.8 m (2, 4, 6, 8 and 10')

Wetted Material: 20% glass filled Polypropylene (PP)

Mounting Threads: 2 NPT tank adaptor or side mount bracket

Max. Temp. Rating: 90°C (194°F)

Sensor Car Adjustment:

Along the entire length of track

Mounting Orientation: Vertical

Radial Velocities: Up to 1.5 fps

Dimensions: 2.5 cm (1") square by lengths of 0.6, 1.2 or 1.8 m (2, 4, 6, 8 and 10')

Side Mount Bracket: 15 x 8.1 x 5 cm (6 x 3.2 x 2")

Side Mount Bracket Mounting

Method: Bolted or welded to side wall of tank

Available in 2, 4, 6,
8, or 10' Lengths



LVM-11, \$55, shown smaller than actual size.

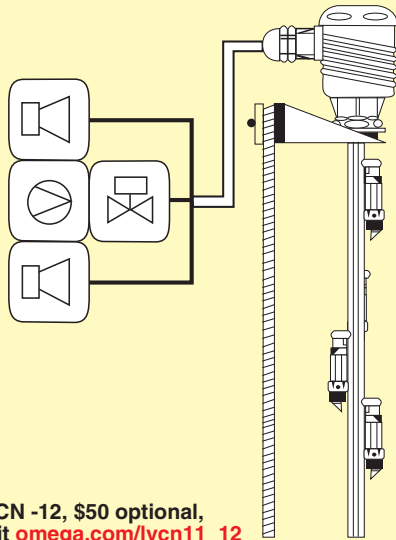
Use the LVM level track as part of an overall level control system.



K-66a

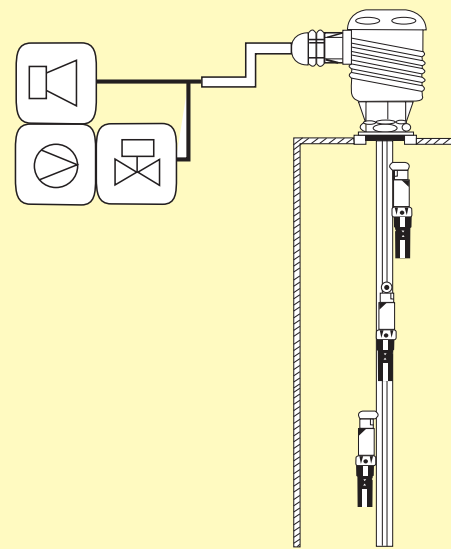
K

Automatic Fill or Empty with High and Low Level Alarm

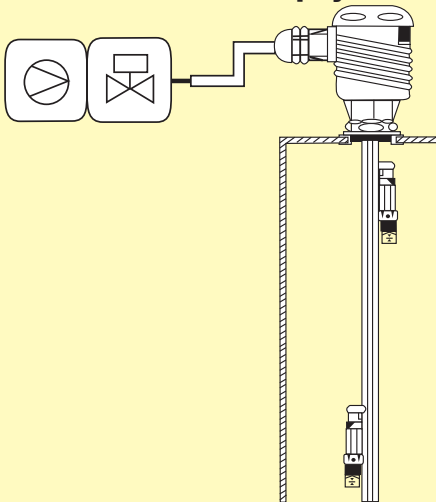


LVCN -12, \$50 optional, visit omega.com/lvcn11_12

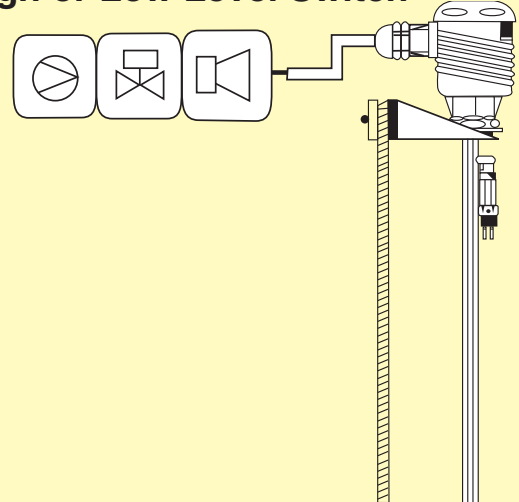
Automatic Fill or Empty with High or Low Level Alarm



Automatic Fill or Empty



High or Low Level Switch




MOST POPULAR MODELS HIGHLIGHTED!

Level Track Mounting Systems may be used with the following sensors:

Item	Page
LVU-150	K-33
LVC-100	K-38
LVV-110	K-65

Accessory

Model No.	Price	Description
CM-1200	\$210	Reference Book: Hands On Water and Wastewater Equipment Maintenance Volume II 

To Order (Specify Model Number)

Model No.	Price	Description	Size
LVM-11	\$55	Level track kit	2' x 1" square
LVM-12	75	Level track kit	4' x 1" square
LVM-13	80	Level track kit	6' x 1" square
LVM-14	115	Level track kit	8' x 1" square
LVM-15	135	Level track kit	10' x 1" square
LVM-20	20	Sensor car kit	2 x 1"
LVM-30	30	Side mount bracket	6 x 3.2 x 2"
LVCN-11	60	4 sensor electrical housing	2.8 x 4.5 x 3/4 NPT
LVCN-12	50	2 sensor electrical housing	2.8 x 3.5 x 3/4 NPT

Comes complete with operator's manual.

Track comes with 2 NPT fitting and one sensor car. Sensors sold separately.

Ordering Examples: LVM-11, 2' track kit, plus LVM-20, sensor car kit, plus LVM-30, side mount bracket, \$55 + 20 + 30 = \$105.

LVM-12, 4' track kit, two LVM-20 sensor car kits, LVCN-12, electrical housing, \$75 + (2 x 20) + 50 = \$165.

omega.co.uk[®]

Your One-Stop Source for Process Measurement and Control!

Freephone 0800 488 488 | International +44(0) 161 777 6622 | Fax +44(0) 161 777 6622 | Sales@omega.co.uk

www.omega.co.uk



UNITED STATES

www.omega.com

1-800-TC-OMEGA
Stamford, CT.

UNITED KINGDOM

www.omega.co.uk

Manchester, England
0800-488-488
+44-(0)161-777-6611

CANADA

www.omega.ca

Laval(Quebec)
1-800-TC-OMEGA

FRANCE

www.omega.fr

0800-466-342

GERMANY

www.omega.de

Deckenfronn, Germany
0800-8266342

BENELUX

www.omega.nl

0800-099-33-44



More than 100,000 Products Available!

• Temperature

Calibrators, Connectors, General Test and Measurement Instruments, Handheld Instruments for Temperature Measurement, Ice Point References, Indicating Labels, Crayons, Cements and Lacquers, Infrared Temperature Measurement Instruments, Recorders, Relative Humidity Measurement Instruments, PT100 Probes, PT100 Elements, Temperature & Process Meters, Timers and Counters, Temperature and Process Controllers and Power Switching Devices, Thermistor Elements, Probes and Assemblies, Thermocouples, Thermowells and Head and Well Assemblies, Transmitters, Thermocouple Wire, RTD Probes

• Flow and Level

Air Velocity Indicators, Doppler Flowmeters, Level Measurement, Magnetic Flowmeters, Mass Flowmeters, Pitot Tubes, Pumps, Rotameters, Turbine and Paddle Wheel Flowmeters, Ultrasonic Flowmeters, Valves, Variable Area Flowmeters, Vortex Shedding Flowmeters

• pH and Conductivity

Conductivity Instrumentation, Dissolved Oxygen Instrumentation, Environmental Instrumentation, pH Electrodes and Instruments, Water and Soil Analysis Instrumentation

• Data Acquisition

Communication Products and Converters, Data Acquisition and Analysis Software, Data Loggers Plug-in Cards, Signal Conditioners, USB, RS232, RS485, Ethernet and Parallel Port Data Acquisition Systems, Wireless Transmitters and Receivers

• Pressure, Strain and Force

Displacement Transducers, Dynamic Measurement Force Sensors, Instrumentation for Pressure and Strain Measurements, Load Cells, Pressure Gauges, Pressure Reference Section, Pressure Switches, Pressure Transducers, Proximity Transducers, Regulators, Pressure Transmitters, Strain Gauges, Torque Transducers, Valves

• Heaters

Band Heaters, Cartridge Heaters, Circulation Heaters, Comfort Heaters, Controllers, Meters and Switching Devices, Flexible Heaters, General Test and Measurement Instruments, Heater Hook-up Wire, Heating Cable Systems, Immersion Heaters, Process Air and Duct, Heaters, Radiant Heaters, Strip Heaters, Tubular Heaters