



HEAVY-DUTY SIDE-MOUNTED LEVEL SWITCH

LV-1301

\$300



- ✓ Rugged Design
- ✓ Field Serviceable
- ✓ Allows for Direct Switching
- ✓ 20 Amp Relay

The LV-1301 rugged, side-mounted liquid-level switch produces enough electrical power to control a pump's on/off action directly. This makes intermediate relays unnecessary, thereby lowering cost.

The LV-1301's design allows for disassembly and cleaning after use with liquids containing contaminants or causing residual buildup. Such periodic maintenance helps extend the switch's service life.

SPECIFICATIONS

Electrical:

20 A @ 125, 250 or 480 Vac,
 10 A @ 125 Vac inductive,
 1 hp @ 125 Vac, 2 hp @ 250 Vac,
 ½ A @ 125 Vdc, 0.25 A @ 250 Vdc

Switch Type:

SPDT microswitch, screw terminals

Max Operating Pressure:

6.89 bar (100 psig)

Max Operating Temperature:

125°C (257°F)

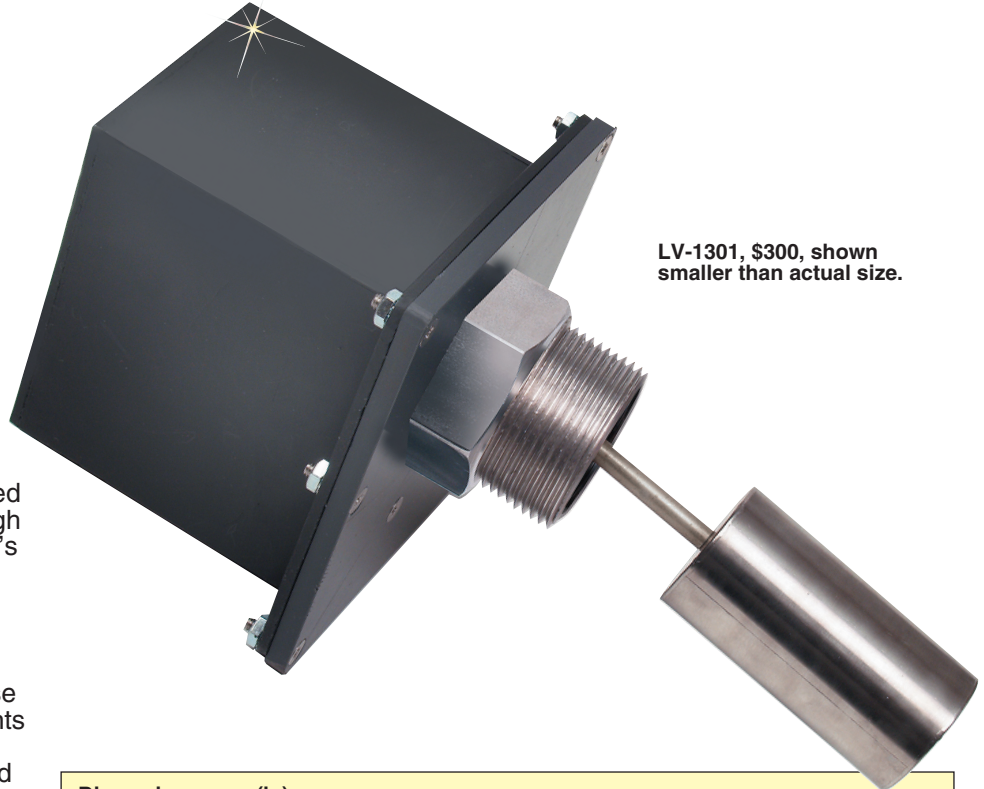
Wetted Materials:

304 SS, standard

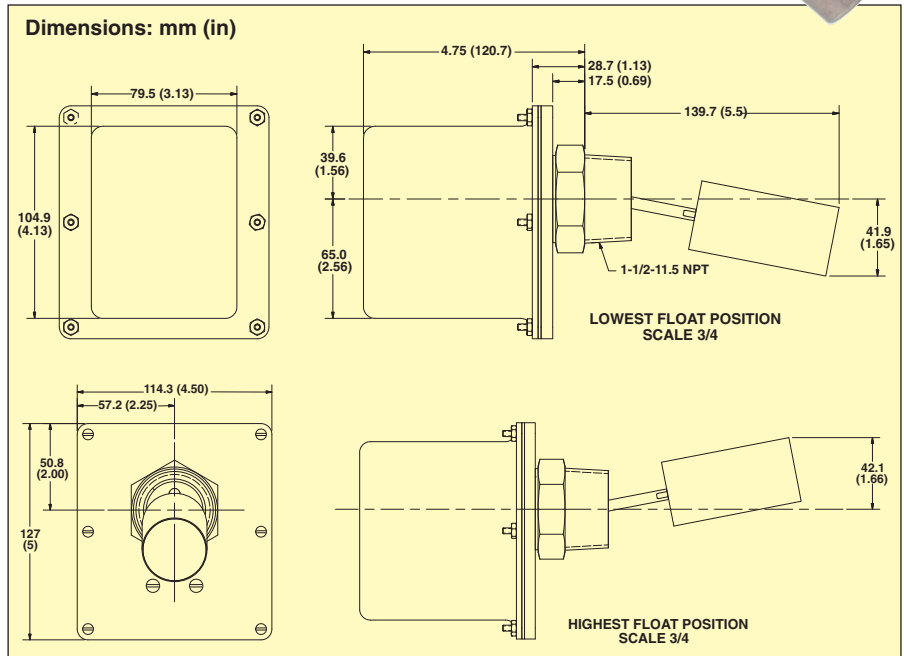
Float Specific Gravity: 0.60

Mounting Box Enclosure:

Epoxy, PVC with FKM sealing gasket



LV-1301, \$300, shown smaller than actual size.



AVAILABLE FOR FAST DELIVERY!

To Order (Specify Model Number)

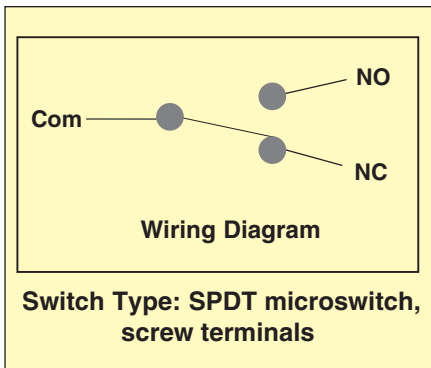
Model No.	Price	Description
LV-1301	\$300	1½ NPT side-mount level switch

Accessory

Model No.	Price	Description
CE-1917	\$29	Reference Book: Intro to Design for Civil Engineers

Comes complete with operator's manual.

Ordering Examples: LVU-1301, 1½ NPT side-mount level switch, \$300.



omega.co.uk[®]

Your One-Stop Source for Process Measurement and Control!

Freephone 0800 488 488 | International +44(0) 161 777 6622 | Fax +44(0) 161 777 6622 | Sales@omega.co.uk

www.omega.co.uk



UNITED STATES

www.omega.com

1-800-TC-OMEGA
Stamford, CT.

CANADA

www.omega.ca

Laval(Quebec)
1-800-TC-OMEGA

GERMANY

www.omega.de

Deckenfronn, Germany
0800-8266342

UNITED KINGDOM

www.omega.co.uk

Manchester, England
0800-488-488
+44-(0)161-777-6611

FRANCE

www.omega.fr

0800-466-342

BENELUX

www.omega.nl

0800-099-33-44



More than 100,000 Products Available!

• Temperature

Calibrators, Connectors, General Test and Measurement Instruments, Handheld Instruments for Temperature Measurement, Ice Point References, Indicating Labels, Crayons, Cements and Lacquers, Infrared Temperature Measurement Instruments, Recorders, Relative Humidity Measurement Instruments, PT100 Probes, PT100 Elements, Temperature & Process Meters, Timers and Counters, Temperature and Process Controllers and Power Switching Devices, Thermistor Elements, Probes and Assemblies, Thermocouples, Thermowells and Head and Well Assemblies, Transmitters, Thermocouple Wire, RTD Probes

• Flow and Level

Air Velocity Indicators, Doppler Flowmeters, Level Measurement, Magnetic Flowmeters, Mass Flowmeters, Pitot Tubes, Pumps, Rotameters, Turbine and Paddle Wheel Flowmeters, Ultrasonic Flowmeters, Valves, Variable Area Flowmeters, Vortex Shedding Flowmeters

• pH and Conductivity

Conductivity Instrumentation, Dissolved Oxygen Instrumentation, Environmental Instrumentation, pH Electrodes and Instruments, Water and Soil Analysis Instrumentation

• Data Acquisition

Communication Products and Converters, Data Acquisition and Analysis Software, Data Loggers Plug-in Cards, Signal Conditioners, USB, RS232, RS485, Ethernet and Parallel Port Data Acquisition Systems, Wireless Transmitters and Receivers

• Pressure, Strain and Force

Displacement Transducers, Dynamic Measurement Force Sensors, Instrumentation for Pressure and Strain Measurements, Load Cells, Pressure Gauges, Pressure Reference Section, Pressure Switches, Pressure Transducers, Proximity Transducers, Regulators, Pressure Transmitters, Strain Gauges, Torque Transducers, Valves

• Heaters

Band Heaters, Cartridge Heaters, Circulation Heaters, Comfort Heaters, Controllers, Meters and Switching Devices, Flexible Heaters, General Test and Measurement Instruments, Heater Hook-up Wire, Heating Cable Systems, Immersion Heaters, Process Air and Duct, Heaters, Radiant Heaters, Strip Heaters, Tubular Heaters