

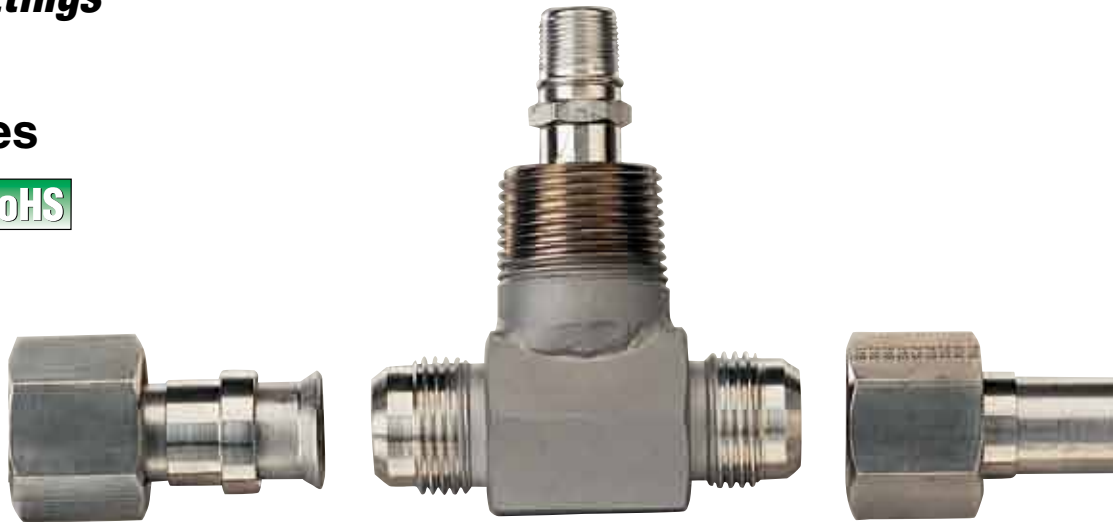
# ECONOMICAL BALL BEARING TURBINE FLOWMETERS

## With 37° Flare Fittings

### FTB-200 Series



- ✓ ±0.5% of Reading Accuracy
- ✓ Ball Bearing Design for Economy
- ✓ Deflector Cones Stabilize Low Mass Rotor for Increased Bearing Life



FTB-201, turbine only. Mating 2-wire connector included (not shown) Shown smaller than actual size.

OMEGA's FTB-200 Series turbine meters have male flared-end fittings for easy connections. They are built to meet the performance requirements of MS33656, though they do not carry a military specification. These units come with a mating 2-wire connector and can be supplied with the integrally mounted signal conditioner to provide 4 to 20 mA, 0 to 5V, and factored pulse outputs.

Proper application of a turbine flowmeter requires that there be a suitable piping section both downstream and upstream of the meter if it is to achieve optimum accuracy. Whereas an inlet straight pipe run of 10 pipe diameters and an outlet straight pipe run of 5 pipe diameters provide the necessary flow conditioning in general, some applications require an upstream flow straightener. Such applications include custody transfer. A flow straightener consists of a section of piping which contains a suitably dimensioned and positioned thin walled tube cluster to eliminate fluid swirl. (See drawing on next page: Typical turbine meter installation).

Installation kits with the required up and downstream straight pipe lengths for proper turbine operation are available. Installation kits for

turbine meters with 37° flare end fittings consist of two lengths of stainless steel tubing cut to a length appropriate for the upstream and downstream straight pipe runs and flared at one end. Mating sleeves and nuts are included. The kits can be conveniently butt-welded into the piping system. Flow straightening sections may be provided with the installation kit. Kits are available in tubing sizes from 1/2 to 2 1/2".

*See accessories chart on next page.*

These turbine meters are intended for clean fluid service only; where there is any doubt concerning possible particulate impurities in the process fluid, strainers are recommended. A strainer/filter may be required to reduce the potential hazard of fouling or damage that can be caused by foreign matter. Pipe rouge, the extremely fine rust which develops on the inside of some piping, is a serious problem for turbine meters, due to the difficulty in filtering out these particles.

Consult the OMEGA Flow Engineering Department for applications that may entail pipe rouge. Minimum requirements for the FTB-200 Series turbine meters are, see chart below.

In addition, when using these units for fluids with viscosities other than 1 centistoke special calibrations and universal viscosity curves are available—consult OMEGA'S Flow Engineering Department.

### SPECIFICATIONS

**Accuracy:** ±0.5% of reading

**Repeatability:** ±0.1% of reading

**Temperature Range:**  
-268 to 232°C (-450 to 450°F)

**Maximum Intermittent Overrange:**

150% of maximum range

**Materials of Construction:**

**Body:** 304 SS

**Rotor:** 17-4 PH SS

**Bearings:** 440C SS

**Installation Kits:** 340 SS,  
1.7 mm (0.065") thick

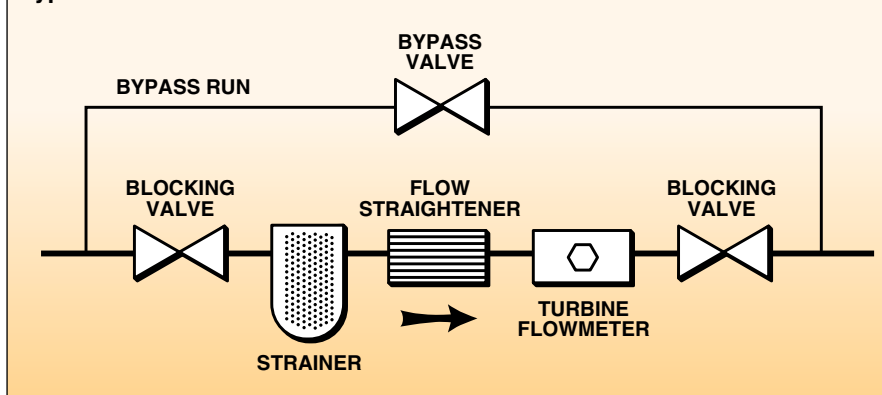
**Electrical:** Two-wire connector included

**Maximum Pressure Drop:**

0.34 bar (5 psi)

| Meter Size      | Mesh Size | Maximum Particle Size (inches) |
|-----------------|-----------|--------------------------------|
| 1/4 to 1/2"     | 100       | 0.0055                         |
| 5/8 to 1 1/4"   | 70        | 0.008                          |
| 1 1/2 to 2 1/2" | 40        | 0.015                          |

Typical turbine meter installation



## To Order

| Model No. | 37° Flare Fitting | Linear Range Water (GPM) | Maximum Operating Pressure (psi) | Length mm (inch) | Nominal K Factors | Weight kg (lb) |
|-----------|-------------------|--------------------------|----------------------------------|------------------|-------------------|----------------|
| FTB-201   | 3/4-16 UNF-3A     | 0.35-3.5                 | 5000                             | 62 (2.45)        | 13,000            | 0.4 (1)        |
| FTB-202   | 3/4-16 UNF-3A     | 0.75-7.5                 | 5000                             | 62 (2.45)        | 10,000            | 0.4 (1)        |
| FTB-203   | 3/4-16 UNF-3A     | 1.25-9.5                 | 5000                             | 62 (2.45)        | 6000              | 0.4 (1)        |
| FTB-204   | 7/8-14 UNF-3A     | 1.75-16                  | 5000                             | 70 (2.75)        | 4100              | 0.4 (1)        |
| FTB-205   | 1 1/16-12 UNF-3A  | 2.5-29                   | 5000                             | 83 (3.25)        | 2200              | 0.4 (1)        |
| FTB-206   | 1 5/16-12 UNF-3A  | 4-60                     | 3500                             | 89 (3.50)        | 640               | 0.9 (2)        |
| FTB-207   | 1 7/8-12 UNF-3A   | 6-93                     | 3000                             | 99 (3.88)        | 410               | 0.9 (2)        |
| FTB-208   | 1 7/8-12 UNF-3A   | 8-130                    | 2250                             | 111 (4.38)       | 230               | 1.4 (3)        |
| FTB-209   | 2 1/2-12 UNF-3A   | 15-225                   | 1750                             | 121 (4.75)       | 120               | 1.8 (4)        |

FTB-200 Series turbine with signal conditioner scaled and installed, choose system part number from the list below and replace the asterisk with the required signal conditioner part number from the list below.

| Turbine System Model No. | Signal Conditioner Model No. | Signal Conditioner Description                          |
|--------------------------|------------------------------|---|
| SYS/FTB-201/(*)          | —                            | —   |
| SYS/FTB-202/(*)          | FLSC-34                      | 4 to 20 mA and Unscaled Pulse*                          |
| SYS/FTB-203/(*)          | FLSC-35B                     | 0 to 5 Vdc and Unscaled Pulse*                          |
| SYS/FTB-204/(*)          | FLSC-51B                     | Scaled Squarewave Pulse (50 ms duration)*               |
| SYS/FTB-205/(*)          | FLSC-C1-LIQ                  | Loop powered signal conditioner, 4 to 20 mA**           |
| SYS/FTB-206/(*)          | FLSC-C3-LIQ                  | DC powered signal conditioner, 4 to 20 mA***            |
| SYS/FTB-207/(*)          | FLSC-C3-AL-LIQ               | DC powered signal conditioner, 4 to 20 mA with alarm*** |
| SYS/FTB-208/(*)          | —                            | —   |
| SYS/FTB-209/(*)          | —                            | —   |

Comes complete with 10-point NIST calibration certificate for 1 cSt (for water) and operator's manual.

NIST certification is for turbine meters, signal conditioners do not come with a NIST traceable certificate.

\* For details on the signal conditioners see: [omega.com/flsc18\\_28\\_34\\_35\\_51](http://omega.com/flsc18_28_34_35_51)

\*\* For details on the FLSC-C1-LIQ signal conditioner see: [omega.com/flsc-c1-liq](http://omega.com/flsc-c1-liq)

\*\*\* For details on the FLSC-C3-LIQ signal conditioner see: [omega.com/flsc-c3-liq](http://omega.com/flsc-c3-liq)

**Ordering Examples:** SYS/FTB-202/FLSC-C1-LIQ, scaled and assembled system includes 0.75 to 7.5 GPM range turbine flow meter and loop powered signal conditioner with 4 to 20 mA output.

SYS/FTB-206/FLSC-C3-AL-LIQ, scaled and assembled system includes 4 to 60 GPM range turbine flowmeter and DC powered signal conditioner with 4 to 20 mA output and alarm.

## Accessories

| Model No. | Description                                | Inlet Length mm (inch) | Outlet Length mm (inch) |
|-----------|--|------------------------|-------------------------|
| FTB-K3    | Flare kit (2 pieces) for FTB-201, 202, 203 | 254 (10")              | 127 (5")                |
| FTB-K4    | Flare kit (2 pieces) for FTB-204           | 254 (10")              | 127 (5")                |
| FTB-K5    | Flare kit (2 pieces) for FTB-205           | 254 (10")              | 127 (5")                |
| FTB-K6    | Flare kit (2 pieces) for FTB-206           | 254 (10")              | 127 (5")                |
| FTB-K7    | Flare kit (2 pieces) for FTB-207           | 356 (14")              | 152 (6")                |
| FTB-K8    | Flare kit (2 pieces) for FTB-208           | 432 (17")              | 203 (8")                |
| FTB-K9    | Flare kit (2 pieces) for FTB-209           | 533 (21")              | 229 (9")                |

# omega.co.uk<sup>®</sup>

Your One-Stop Source for Process Measurement and Control!

Freephone 0800 488 488 | International +44(0) 161 777 6622 | Fax +44(0) 161 777 6622 | Sales@omega.co.uk

[www.omega.co.uk](http://www.omega.co.uk)



#### UNITED STATES

[www.omega.com](http://www.omega.com)

1-800-TC-OMEGA  
Stamford, CT.

#### UNITED KINGDOM

[www.omega.co.uk](http://www.omega.co.uk)

Manchester, England  
0800-488-488  
+44-(0)161-777-6611

#### CANADA

[www.omega.ca](http://www.omega.ca)

Laval(Quebec)  
1-800-TC-OMEGA

#### FRANCE

[www.omega.fr](http://www.omega.fr)

0800-466-342

#### GERMANY

[www.omega.de](http://www.omega.de)

Deckenfronn, Germany  
0800-8266342

#### BENELUX

[www.omega.nl](http://www.omega.nl)

0800-099-33-44



## More than 100,000 Products Available!

### • Temperature

Calibrators, Connectors, General Test and Measurement Instruments, Handheld Instruments for Temperature Measurement, Ice Point References, Indicating Labels, Crayons, Cements and Lacquers, Infrared Temperature Measurement Instruments, Recorders, Relative Humidity Measurement Instruments, PT100 Probes, PT100 Elements, Temperature & Process Meters, Timers and Counters, Temperature and Process Controllers and Power Switching Devices, Thermistor Elements, Probes and Assemblies, Thermocouples, Thermowells and Head and Well Assemblies, Transmitters, Thermocouple Wire, RTD Probes

### • Flow and Level

Air Velocity Indicators, Doppler Flowmeters, Level Measurement, Magnetic Flowmeters, Mass Flowmeters, Pitot Tubes, Pumps, Rotameters, Turbine and Paddle Wheel Flowmeters, Ultrasonic Flowmeters, Valves, Variable Area Flowmeters, Vortex Shedding Flowmeters

### • pH and Conductivity

Conductivity Instrumentation, Dissolved Oxygen Instrumentation, Environmental Instrumentation, pH Electrodes and Instruments, Water and Soil Analysis Instrumentation

### • Data Acquisition

Communication Products and Converters, Data Acquisition and Analysis Software, Data Loggers Plug-in Cards, Signal Conditioners, USB, RS232, RS485, Ethernet and Parallel Port Data Acquisition Systems, Wireless Transmitters and Receivers

### • Pressure, Strain and Force

Displacement Transducers, Dynamic Measurement Force Sensors, Instrumentation for Pressure and Strain Measurements, Load Cells, Pressure Gauges, Pressure Reference Section, Pressure Switches, Pressure Transducers, Proximity Transducers, Regulators, Pressure Transmitters, Strain Gauges, Torque Transducers, Valves

### • Heaters

Band Heaters, Cartridge Heaters, Circulation Heaters, Comfort Heaters, Controllers, Meters and Switching Devices, Flexible Heaters, General Test and Measurement Instruments, Heater Hook-up Wire, Heating Cable Systems, Immersion Heaters, Process Air and Duct, Heaters, Radiant Heaters, Strip Heaters, Tubular Heaters