

PURE PVDF FLOW MONITORING SYSTEMS

PVDF FLOW SENSOR

FP-5100 Series
Starts at

\$476



For maintaining critical product purity or for safe transport of highly corrosive acids, you can depend on OMEGA's all-PVDF flow monitoring systems. Known for its superior heat-resistance and thermal stability, PVDF is quickly becoming the preferred piping material in many ultra-pure water and acid transport applications. Using no dyes or stabilizers, OMEGA offers the only "pure" PVDF flow-monitoring system. Available for installation in pipe sizes ranging from ½ to 8", this system is easy both to install and maintain.

FOR ULTRA-PURE CONFIDENCE

Combine OMEGA's PVDF flow monitoring system with your existing PVDF pipe—including SYGEF, PVDF, and SUPER PROLINE. This all-PVDF system completely eliminates the possibility of contaminated fluid product, making it perfect for measuring D.I. water in cosmetic, food, and pharmaceutical production. In addition, processes utilizing D.I. water in the semiconductor industry can be monitored with total confidence.

FOR SAFE ACID TRANSPORT

When pumping hydrofluoric acid to wafer etching tanks...processing sulfuric acid through water treatment skid for regeneration...or transporting harsh solvents, OMEGA's PVDF flow monitoring systems provide rugged, corrosion-resistant construction.

EASY INSTALLATION

PVDF Sensor installation Tee fittings allow direct compatibility with SYGEF piping, joined by the fusion using special electro heating elements. The socket fusion process combines simple handling with high operational safety and reliability. When used in PVDF or SUPER PROLINE piping systems, a flange connection is recommended.

ALSO AVAILABLE: DURABLE POLYPROPYLENE

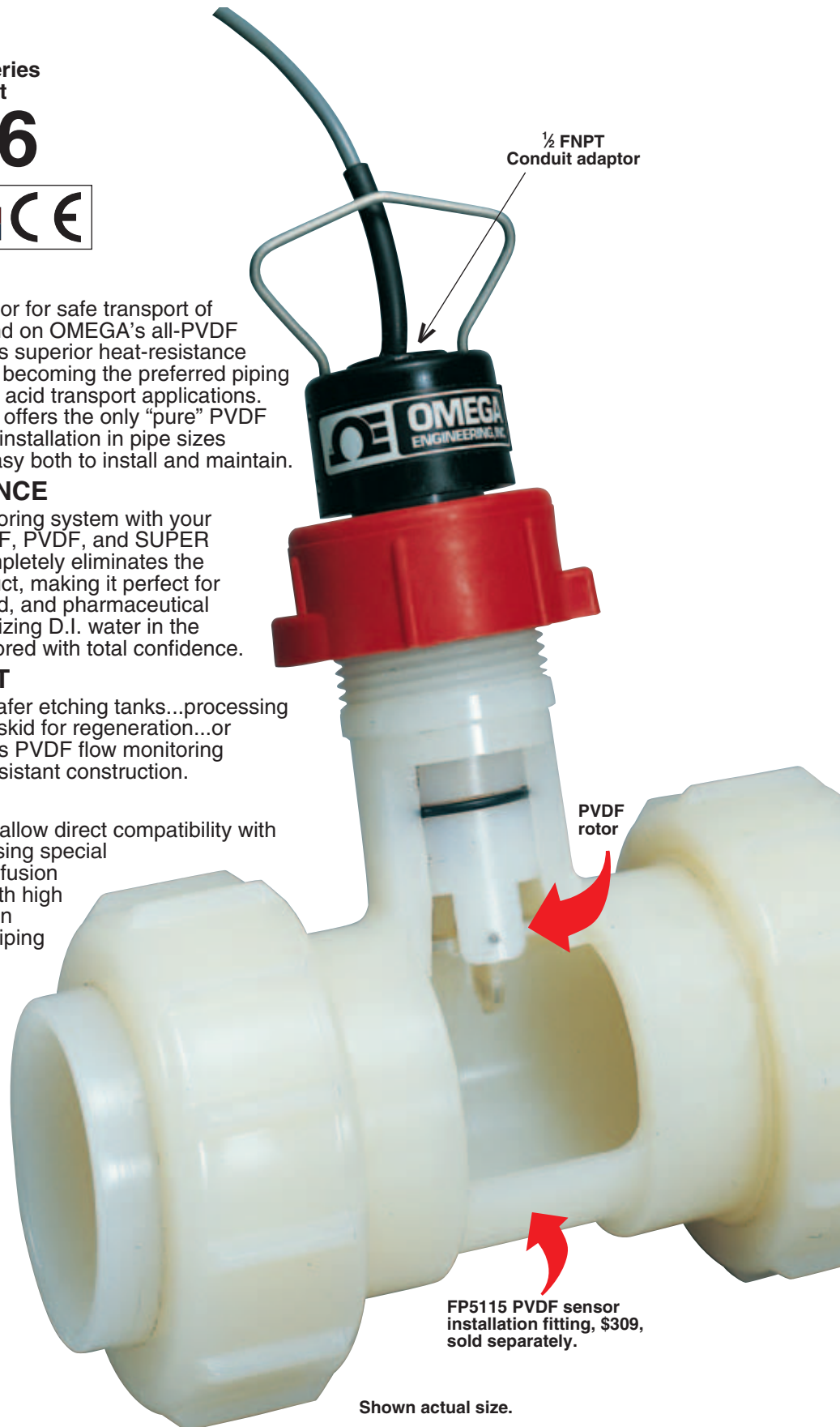
(See FP-5300 Series,
omega.com/fp5300)

OMEGA also offers sensors and fittings constructed of durable polypropylene. This lightweight material is strong enough for a wide range of fluid applications, and polypro is rugged for longer wear, which saves you money by reducing replacement and servicing costs.

Replacement Rotor/Paddlewheel
Model **FMK-1538-2**, \$36

Replacement Hastelloy-C Rotor Pin
Model **FMK-1546-2**, \$49

Replacement PVDF Rotor and Rotor Pin
Model **FMK-51545-1**, \$51



½ FNPT
Conduit adaptor

PVDF
rotor

FP5115 PVDF sensor
installation fitting, \$309,
sold separately.

Shown actual size.

Reliability

OMEGA's PVDF Flow Sensor includes the same design features as our standard FP-5300 Sensor, with a ± 0.2 fps accuracy and ± 0.5 fps repeatability.

SPECIFICATIONS

See page F-29c for complete temperature and pressure rating data

Electrical: Same as Model FP-5300; visit omega.com/fp5100

Max Viscosity: 1 centipoise (water); up to 5 cp above 5 fps velocity

Materials:

Transducer Housing: PVDF

O-Rings: FKM

Shaft: Hastelloy C (PVDF optional)

Rotor: PVDF

Tee Fitting: PVDF

Cable: 7.5 m (25') twisted pair, foil shielded with drain wire



FP-5100, \$476, shown smaller than actual size.

PVDF Flow Sensors

AVAILABLE FOR FAST DELIVERY!

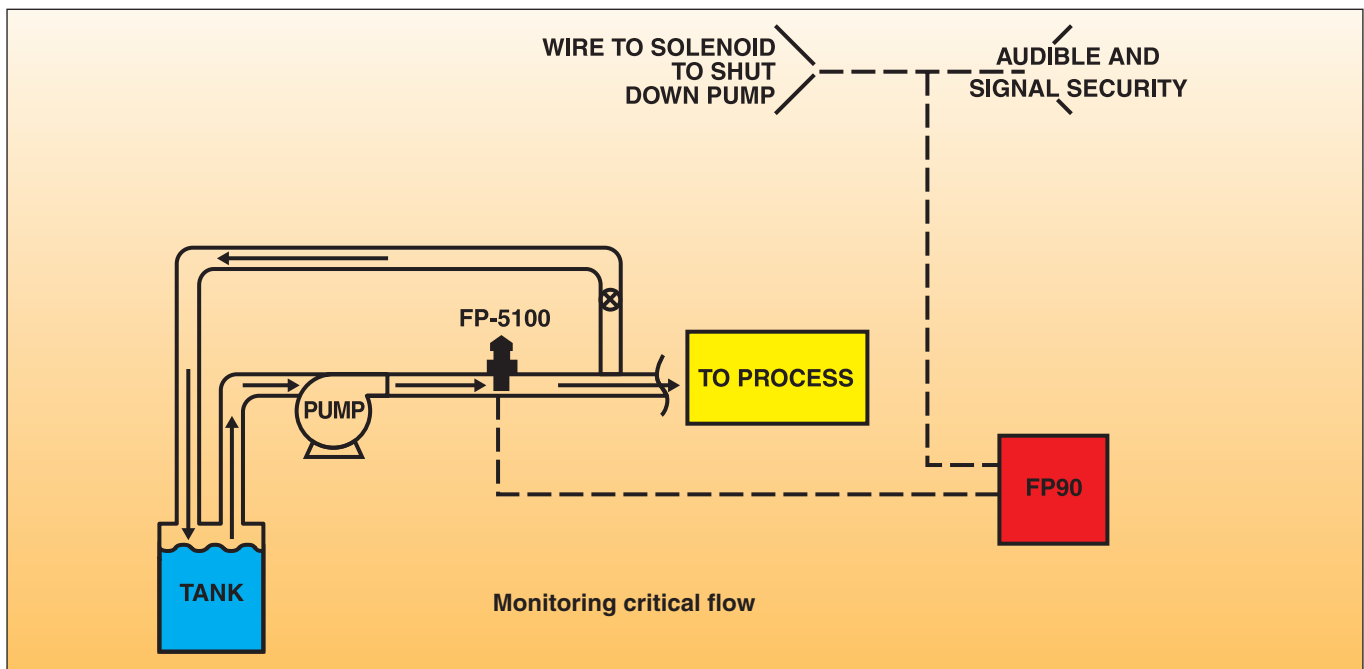
To Order (Specify Model Number)							
Description	Model No.	Housing Material	Shaft Material	Pipe Size (in)	Weight g (oz)	Sensor Length mm (in)	Price
Paddlewheel Sensor	FP-5100	PVDF	Hastelloy C	½ to 4	341 (12)	89 (3.5)	\$476
	FP-5101	PVDF	Hastelloy C	5 to 8	341 (12)	127 (5.0)	517

Comes complete with operator's manual.

Ordering Example: FP-5100, PVDF/Hastelloy C paddlewheel sensor, \$476.

PVDF Sensor Installation Fittings (available in mm size only)

Pipe Size	Model No.	Price	Pipe Size	Model No.	Price
15 mm	FP-5105	\$235	32 mm	FP-5112	\$291
20 mm	FP-5107	235	40 mm	FP-5115	309
25 mm	FP-5110	268	50 mm	FP-5120	360



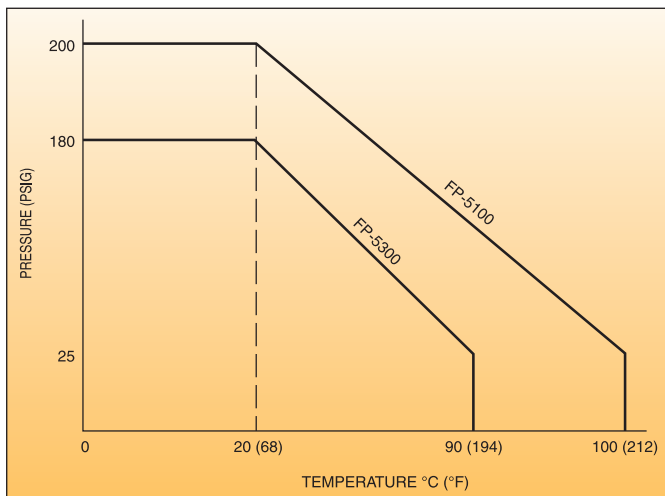
F-29b

PRESSURE/TEMPERATURE CHARTS

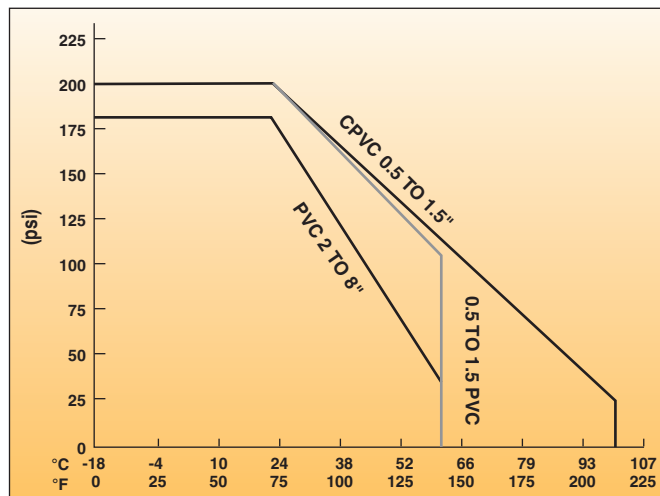
For FP-5100, FP-5300 and FP-8500 Series Sensors and Associated Fittings

NOTE: All pressure/temperature ratings listed are for water under non-shock conditions with no pressure cycling. Various chemicals and cycling pressures up and down can weaken plastics. Fittings must be installed so that the fitting does not carry the weight of the piping and does not suffer from thermal expansion stresses. Water hammer, fluid surges, and cavitation must always be avoided. If the end user elects to thread the plastic fittings with socket ends, the pressure rating will be substantially decreased.

FP-5100, FP-5300 and FP-8500 Series Sensors Pressure/Temperature Ratings

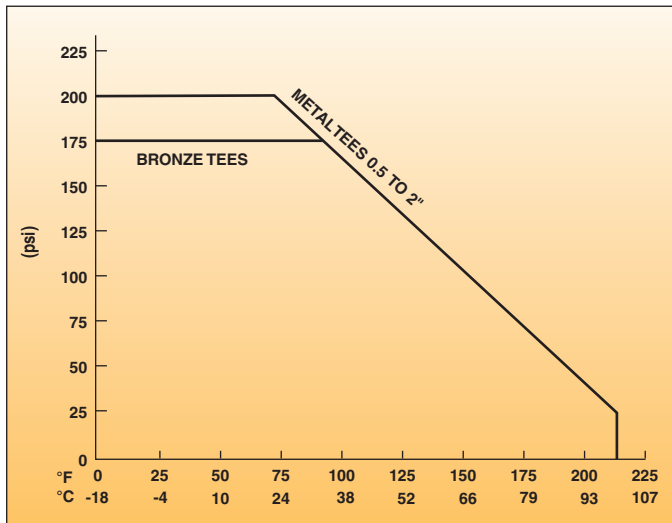


PVC and CPVC Tees and Saddles

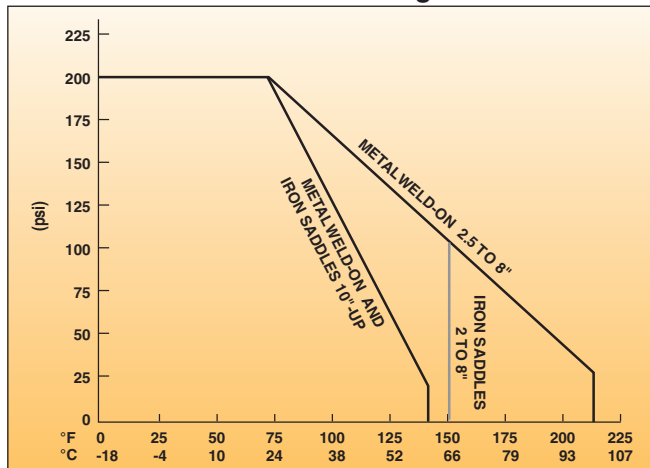


WARNING: THE ABOVE PRESSURE/TEMPERATURE CURVES ARE SPECIFICALLY FOR THE FP-5100, FP-5300, AND FP-8500 SENSORS. DURING SYSTEM DESIGN, THE SPECIFICATIONS OF ALL COMPONENTS MUST BE CONSIDERED. IN A METAL PIPING SYSTEM, A PLASTIC SENSOR WILL REDUCE THE SYSTEM SPEC. ON THE OTHER HAND, IF USING A PVDF SENSOR IN A PVC PIPING SYSTEM, THE FITTING WILL REDUCE THE SYSTEM SPEC.

Metal Tees



Metal Weld-On and Saddle Fittings



These ratings are for PVC and PVDF fittings. For all metal fittings 10" and larger, a PVC insert is used; for 8" and below, a PVDF insert is used. Use the appropriate curve to determine the maximum pressure rating of these fittings.

omega.co.uk[®]

Your One-Stop Source for Process Measurement and Control!

Freephone 0800 488 488 | International +44(0) 161 777 6622 | Fax +44(0) 161 777 6622 | Sales@omega.co.uk

www.omega.co.uk



UNITED STATES

www.omega.com

1-800-TC-OMEGA
Stamford, CT.

UNITED KINGDOM

www.omega.co.uk

Manchester, England
0800-488-488
+44-(0)161-777-6611

CANADA

www.omega.ca

Laval(Quebec)
1-800-TC-OMEGA

FRANCE

www.omega.fr

0800-466-342

GERMANY

www.omega.de

Deckenfronn, Germany
0800-8266342

BENELUX

www.omega.nl

0800-099-33-44



More than 100,000 Products Available!

• Temperature

Calibrators, Connectors, General Test and Measurement Instruments, Handheld Instruments for Temperature Measurement, Ice Point References, Indicating Labels, Crayons, Cements and Lacquers, Infrared Temperature Measurement Instruments, Recorders, Relative Humidity Measurement Instruments, PT100 Probes, PT100 Elements, Temperature & Process Meters, Timers and Counters, Temperature and Process Controllers and Power Switching Devices, Thermistor Elements, Probes and Assemblies, Thermocouples, Thermowells and Head and Well Assemblies, Transmitters, Thermocouple Wire, RTD Probes

• Flow and Level

Air Velocity Indicators, Doppler Flowmeters, Level Measurement, Magnetic Flowmeters, Mass Flowmeters, Pitot Tubes, Pumps, Rotameters, Turbine and Paddle Wheel Flowmeters, Ultrasonic Flowmeters, Valves, Variable Area Flowmeters, Vortex Shedding Flowmeters

• pH and Conductivity

Conductivity Instrumentation, Dissolved Oxygen Instrumentation, Environmental Instrumentation, pH Electrodes and Instruments, Water and Soil Analysis Instrumentation

• Data Acquisition

Communication Products and Converters, Data Acquisition and Analysis Software, Data Loggers Plug-in Cards, Signal Conditioners, USB, RS232, RS485, Ethernet and Parallel Port Data Acquisition Systems, Wireless Transmitters and Receivers

• Pressure, Strain and Force

Displacement Transducers, Dynamic Measurement Force Sensors, Instrumentation for Pressure and Strain Measurements, Load Cells, Pressure Gauges, Pressure Reference Section, Pressure Switches, Pressure Transducers, Proximity Transducers, Regulators, Pressure Transmitters, Strain Gauges, Torque Transducers, Valves

• Heaters

Band Heaters, Cartridge Heaters, Circulation Heaters, Comfort Heaters, Controllers, Meters and Switching Devices, Flexible Heaters, General Test and Measurement Instruments, Heater Hook-up Wire, Heating Cable Systems, Immersion Heaters, Process Air and Duct, Heaters, Radiant Heaters, Strip Heaters, Tubular Heaters