

# HIGH FLOW RATE PURGE ROTAMETERS

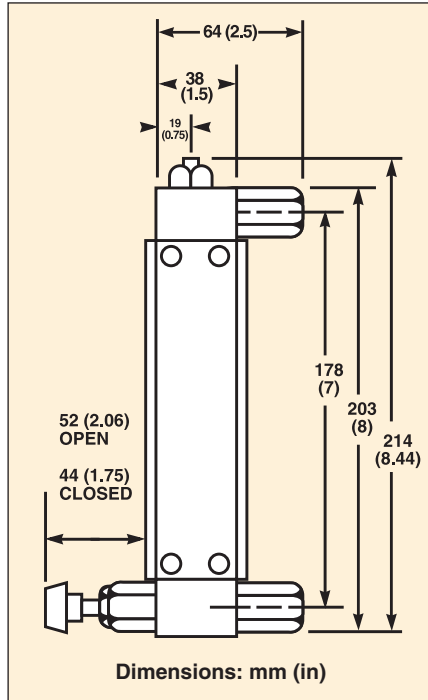
**CAPACITIES: 0.08 to 5.0 GPM for Water,  
0.34 to 15.0 SCFM for Air**

FL-1200 Series  
**\$670**  
All Models



**For correlation  
with other fluids,  
see page B-7.**

- ✓ ±10% Full Scale Accuracy
- ✓ ±½% Full Scale Repeatability
- ✓ Integral Needle Control Valve
- ✓ Side Plate Construction
- ✓ Direct Reading Air and Water Scales
- ✓ 316 SS and Brass Construction Available
- ✓ Shielded for Use in Pressurized Systems
- ✓ Easy-to-Read 65 mm (2.6") Scale



FL-1214, \$670, shown smaller than actual size.

The FL-1200 flowmeters provide a low-cost means of flow rate indication. They are designed for applications where precise accuracy requirements for metering are not imperative. These meters are ideal for purge service, sealed oil systems, bearing lubrication, cooling water indication, and other associated applications.

**Temperature:** 121°C (250°F) maximum. Fluid temperatures below 0°C (32°F) will cause frosting of the glass metering tube.  
**Connections:** Horizontal female, ¼ NPT  
**Accuracy:** ±10% full scale  
**Repeatability:** 0.5% full scale  
**Dimensions:** 214 H x 38 W x 116 mm D (8.44 x 1.5 x 4.56")

## ■ MOST POPULAR MODELS HIGHLIGHTED!

### SPECIFICATIONS SCALES

**Length:** 65 mm (2.6")

**Graduations:** Direct reading in GPM water or SCFM air

### CONSTRUCTION

**Metering Tube:** Borosilicate glass

**Float:** 316 stainless steel

**Float Stops:** stainless steel

**End Fittings and Tube Retaining**

**Adaptor:** Chrome-plated brass, 316 stainless steel

**Side Plates:** Chrome-plated brass

**Packing Material:** O-rings: Buna with Brass, FKM with stainless steel

**Packing:** Neoprene with brass, FKM with stainless steel

### RATINGS

**Pressure:** 13.8 bar (200 psig) maximum

### To Order (Specify Model Number)

Model No.	Price	Ranges		Pressure Drop (inches H <sub>2</sub> O)
		Air (SCFM)	Water (GPM)	
FL-1210	\$670	—	0.08 to 0.8	13.6
FL-1211	670	—	0.15 to 1.5	27.0
FL-1212	670	—	0.25 to 2.5	85.2
FL-1213	670	—	0.35 to 3.5	121.0
FL-1214	670	—	0.5 to 5.0	238.0
FL-1201	670	0.34 to 3.4	—	15.5
FL-1202	670	0.6 to 6.0	—	30.8
FL-1203	670	1.2 to 12	—	97.3
FL-1204	670	1.5 to 15	—	138.3

Comes complete with operator's manual.

For units with brass valve and end fittings, add suffix "-B" to model number and subtract \$250 from price.

**Ordering Examples:** FL1212-B, high flow rotameter, 0.25 to 2.5 range with brass valve and end fittings, \$670 - 250 = \$420.

FL-1202, 0.6 to 6.0 SCFM air, \$670.

# omega.co.uk®

Your One-Stop Source for Process Measurement and Control!

Freephone 0800 488 488 | International +44(0) 161 777 6622 | Fax +44(0) 161 777 6622 | Sales@omega.co.uk

[www.omega.co.uk](http://www.omega.co.uk)



#### UNITED STATES

[www.omega.com](http://www.omega.com)

1-800-TC-OMEGA  
Stamford, CT.

#### UNITED KINGDOM

[www.omega.co.uk](http://www.omega.co.uk)

Manchester, England  
0800-488-488  
+44-(0)161-777-6611

#### CANADA

[www.omega.ca](http://www.omega.ca)

Laval(Quebec)  
1-800-TC-OMEGA

#### FRANCE

[www.omega.fr](http://www.omega.fr)

0800-466-342

#### GERMANY

[www.omega.de](http://www.omega.de)

Deckenfronn, Germany  
0800-8266342

#### BENELUX

[www.omega.nl](http://www.omega.nl)

0800-099-33-44



## More than 100,000 Products Available!

### • Temperature

Calibrators, Connectors, General Test and Measurement Instruments, Handheld Instruments for Temperature Measurement, Ice Point References, Indicating Labels, Crayons, Cements and Lacquers, Infrared Temperature Measurement Instruments, Recorders, Relative Humidity Measurement Instruments, PT100 Probes, PT100 Elements, Temperature & Process Meters, Timers and Counters, Temperature and Process Controllers and Power Switching Devices, Thermistor Elements, Probes and Assemblies, Thermocouples, Thermowells and Head and Well Assemblies, Transmitters, Thermocouple Wire, RTD Probes

### • Flow and Level

Air Velocity Indicators, Doppler Flowmeters, Level Measurement, Magnetic Flowmeters, Mass Flowmeters, Pitot Tubes, Pumps, Rotameters, Turbine and Paddle Wheel Flowmeters, Ultrasonic Flowmeters, Valves, Variable Area Flowmeters, Vortex Shedding Flowmeters

### • pH and Conductivity

Conductivity Instrumentation, Dissolved Oxygen Instrumentation, Environmental Instrumentation, pH Electrodes and Instruments, Water and Soil Analysis Instrumentation

### • Data Acquisition

Communication Products and Converters, Data Acquisition and Analysis Software, Data Loggers Plug-in Cards, Signal Conditioners, USB, RS232, RS485, Ethernet and Parallel Port Data Acquisition Systems, Wireless Transmitters and Receivers

### • Pressure, Strain and Force

Displacement Transducers, Dynamic Measurement Force Sensors, Instrumentation for Pressure and Strain Measurements, Load Cells, Pressure Gauges, Pressure Reference Section, Pressure Switches, Pressure Transducers, Proximity Transducers, Regulators, Pressure Transmitters, Strain Gauges, Torque Transducers, Valves

### • Heaters

Band Heaters, Cartridge Heaters, Circulation Heaters, Comfort Heaters, Controllers, Meters and Switching Devices, Flexible Heaters, General Test and Measurement Instruments, Heater Hook-up Wire, Heating Cable Systems, Immersion Heaters, Process Air and Duct, Heaters, Radiant Heaters, Strip Heaters, Tubular Heaters