

# LUBE/COOLANT FLOW MONITORS

## CAPACITY: 1 to 20 GPM

FL-O5  
**\$497**

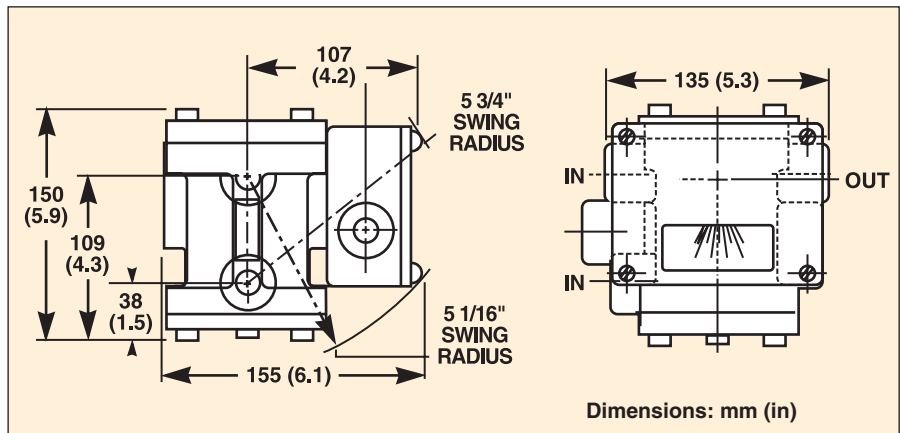


- ✓ **±5% Full Scale Accuracy**
- ✓ **±1% Reading Repeatability**
- ✓ **Built-in Signal Switch**
- ✓ **Stainless Steel and Teflon® and Aluminum Wetted Parts**
- ✓ **For Coolants or Lubricants with 0.84 Specific Gravity**
- ✓ **Designed for Use with Clear or Opaque Liquids**
- ✓ **Oil and Dust Resistant Case**
- ✓ **200 psig Pressure Rating**
- ✓ **93°C (200°F) Temperature Rating**



FL-O5, \$497, shown smaller than actual size.

The FL-O Series of industrial flowmeters is designed expressly for flowrate monitoring of petroleum-based oils and coolant fluids. These simple, rugged meters are designed for industrial use with all 300 Series SS and Teflon® wetted parts and an aluminum housing. There are no fragile glass tubes, and the flowrate can easily be read even with opaque fluids. The built-in signal switch can be used as an alarm to report high or low fluid rates. FL-O flow monitors are also capable of withstanding the extremes of industrial use, with 200 psig and -18 to 93°C (0 to 200°F) environmental ratings.



**MOST POPULAR MODEL HIGHLIGHTED!**

### To Order (Specify Model Number)

Model No.	Price	Flow Rate (GPM)	Readout Increments
<b>FL-O5</b>	<b>\$497</b>	0 to 5	1.0
FL-O10	497	0 to 10	2.0
FL-O15	497	0 to 15	3.0
FL-O20	497	0 to 20	4.0
PE-1040	75	Reference Book: Petroleum Refining Technology and Economics	

Ordering Examples: **FL-O15**, industrial flowmeter, 0 to 15 GPM range, \$497.  
**FL-O5**, industrial flowmeter, 0 to 5 GPM range, \$497.

# omega.co.uk<sup>®</sup>

Your One-Stop Source for Process Measurement and Control!

Freephone 0800 488 488 | International +44(0) 161 777 6622 | Fax +44(0) 161 777 6622 | Sales@omega.co.uk

[www.omega.co.uk](http://www.omega.co.uk)



#### UNITED STATES

[www.omega.com](http://www.omega.com)

1-800-TC-OMEGA  
Stamford, CT.

#### CANADA

[www.omega.ca](http://www.omega.ca)

Laval(Quebec)  
1-800-TC-OMEGA

#### GERMANY

[www.omega.de](http://www.omega.de)

Deckenfronn, Germany  
0800-8266342

#### UNITED KINGDOM

[www.omega.co.uk](http://www.omega.co.uk)

Manchester, England  
0800-488-488  
+44-(0)161-777-6611

#### FRANCE

[www.omega.fr](http://www.omega.fr)

0800-466-342

#### BENELUX

[www.omega.nl](http://www.omega.nl)

0800-099-33-44



## More than 100,000 Products Available!

### • Temperature

Calibrators, Connectors, General Test and Measurement Instruments, Handheld Instruments for Temperature Measurement, Ice Point References, Indicating Labels, Crayons, Cements and Lacquers, Infrared Temperature Measurement Instruments, Recorders, Relative Humidity Measurement Instruments, PT100 Probes, PT100 Elements, Temperature & Process Meters, Timers and Counters, Temperature and Process Controllers and Power Switching Devices, Thermistor Elements, Probes and Assemblies, Thermocouples, Thermowells and Head and Well Assemblies, Transmitters, Thermocouple Wire, RTD Probes

### • Flow and Level

Air Velocity Indicators, Doppler Flowmeters, Level Measurement, Magnetic Flowmeters, Mass Flowmeters, Pitot Tubes, Pumps, Rotameters, Turbine and Paddle Wheel Flowmeters, Ultrasonic Flowmeters, Valves, Variable Area Flowmeters, Vortex Shedding Flowmeters

### • pH and Conductivity

Conductivity Instrumentation, Dissolved Oxygen Instrumentation, Environmental Instrumentation, pH Electrodes and Instruments, Water and Soil Analysis Instrumentation

### • Data Acquisition

Communication Products and Converters, Data Acquisition and Analysis Software, Data Loggers Plug-in Cards, Signal Conditioners, USB, RS232, RS485, Ethernet and Parallel Port Data Acquisition Systems, Wireless Transmitters and Receivers

### • Pressure, Strain and Force

Displacement Transducers, Dynamic Measurement Force Sensors, Instrumentation for Pressure and Strain Measurements, Load Cells, Pressure Gauges, Pressure Reference Section, Pressure Switches, Pressure Transducers, Proximity Transducers, Regulators, Pressure Transmitters, Strain Gauges, Torque Transducers, Valves

### • Heaters

Band Heaters, Cartridge Heaters, Circulation Heaters, Comfort Heaters, Controllers, Meters and Switching Devices, Flexible Heaters, General Test and Measurement Instruments, Heater Hook-up Wire, Heating Cable Systems, Immersion Heaters, Process Air and Duct, Heaters, Radiant Heaters, Strip Heaters, Tubular Heaters