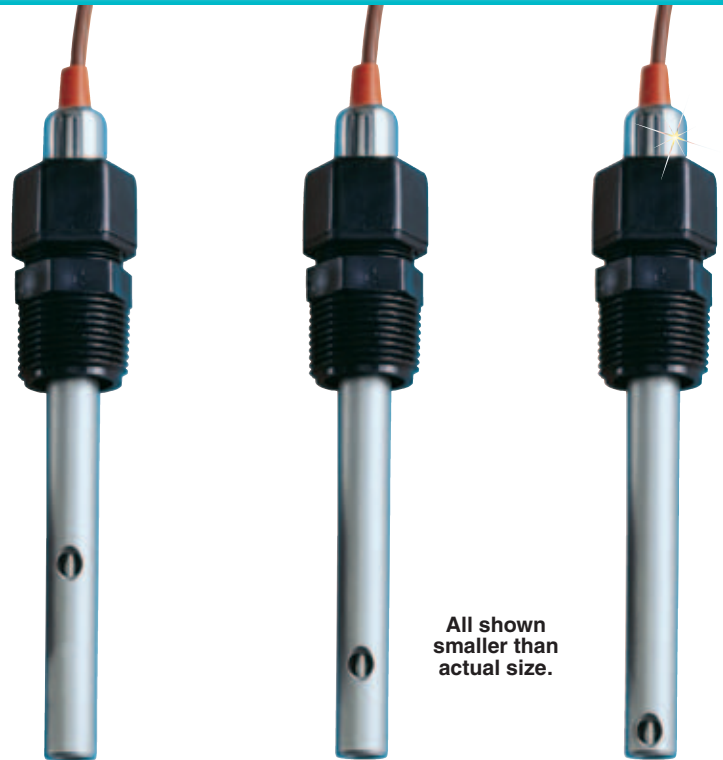
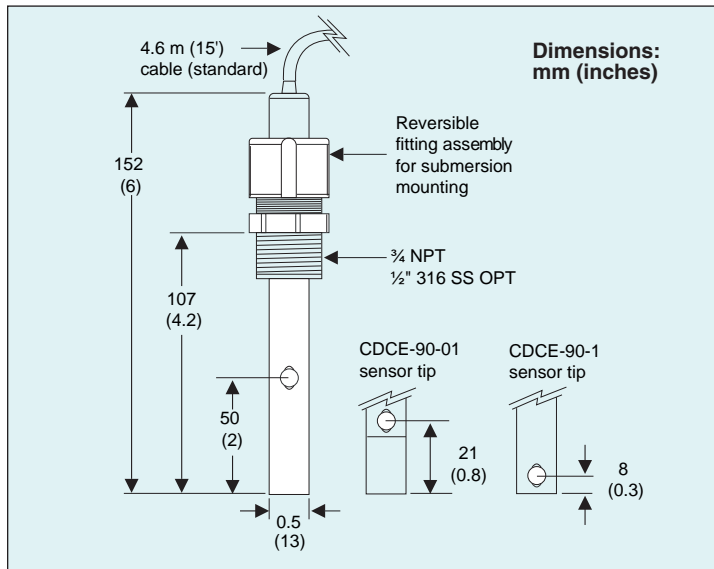




Conductivity Cells for CDCN-91, CDTX-90 and CDCN-5800 Series



All shown smaller than actual size.

CDCE-90-001, \$298.

CDCE-90-01, \$298.

CDCE-90-1, \$298.

CDCE-90-001, CDCE-90-01, CDCE-90-1

Cell:

CDCE-90-001: 0.01

CDCE-90-01: 0.1

CDCE-90-1: 1.0

Conductivity Range:

CDCE-90-001: 0.010 to 100 μ S (10 K Ω to 100 M Ω)

CDCE-90-01: 1 to 1000 μ S

CDCE-90-1: 10 to 10,000 μ S

Temperature Compensation: Pt1000

Wetted Materials:

O-Rings: EPR

Insulator Material: PTFE

Electrodes: 316 SS

Standard Fitting: Polypropylene

Max. Pressure:

6.9 bar (100 psi)

Max. Temperature:

100°C (212°F)

Optional Fitting:

316 SS 1/2 NPT

Max Pressure:

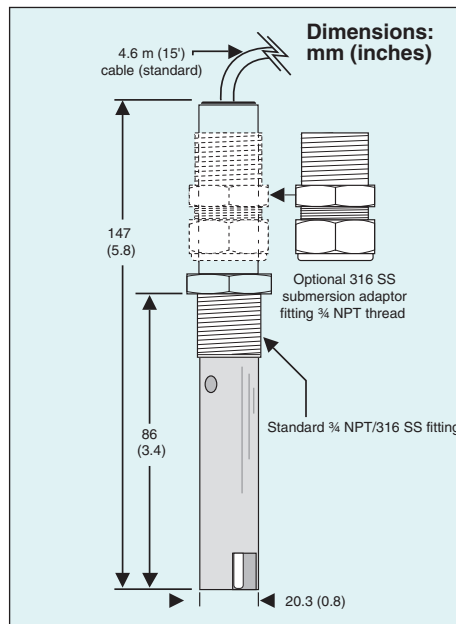
13.8 bar (200 psi)

Max Temperature:

120°C (248°F)



CDCE-90-10, \$511 (left), CDCE-90-20 (right), \$624, shown smaller than actual size.



CDCE-90-10

Cell Constant: 10.0

Conductivity Range: 100 to 200,000 μ S

Temperature Compensation: Pt1000

O-Ring: EPR

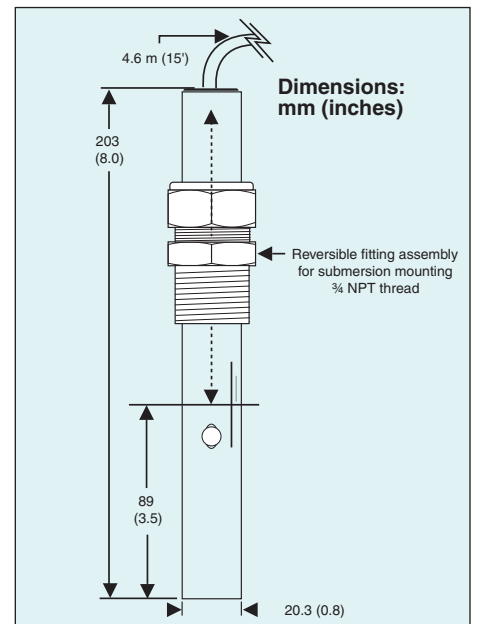
Insulator Material: CPVC

Electrodes: 316 SS

Fitting Material: 316 SS

Maximum Pressure/Temperature:

100 psig @ 95°C (203°F)



CDCE-90-20

Cell Constant: 20.0

Conductivity Range: 200 to 400,000 μ S

Temperature Compensation: Pt1000

O-Ring: EPR

Insulator Material: PTFE

Electrodes: 316 SS

Fitting Material: 316 SS

Maximum Pressure/Temperature:

100 psig @ 150°C (302°F)



CDCE-90S-001, CDCE-90S-01, CDCE-90S-1

Cell:

CDCE-90S-001: 0.01
CDCE-90S-01: 0.1
CDCE-90S-1: 1.0

Conductivity Range:

CDCE-90S-001: 0.010 to 100 μ S
(10 K Ω to 100 M Ω)
CDCE-90S-01: 1 to 1000 μ S
CDCE-90S-1: 10 to 10,000 μ S

Sanitary Fitting Size: 1, 1½, 2"

Temperature Compensation: Pt1000

Wetted Materials:

O-Ring: EPR

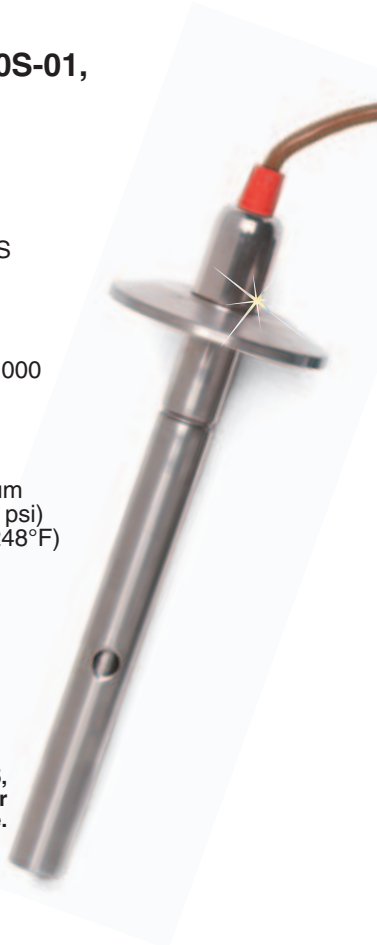
Insulator Material: PTFE

Electrodes: 316 SS or titanium

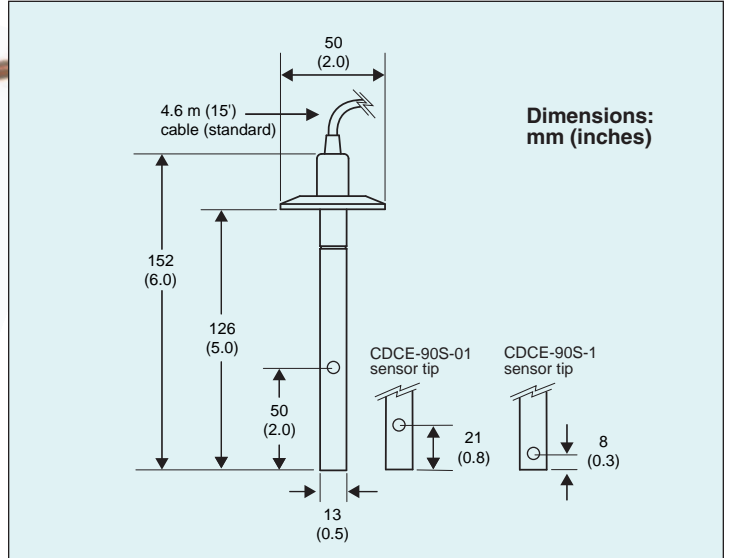
Sanitary Fitting: 316 SS or titanium

Maximum Pressure: 6.9 bar (100 psi)

Maximum Temperature: 120°C (248°F)



CDCE-90S-001-S15,
\$607, shown smaller
than actual size.



* Dimension shown for 1 and 1½" sanitary fittings.
Dimension for 2" sanitary fitting is 64 mm (2.5")

MOST POPULAR MODELS HIGHLIGHTED!

To Order (Specify Model Number)

Model No.	Price	Fitting	Cell Constant	Material
CDCE-90-001	\$298	¼ NPT	0.01	316 SS
CDCE-90-01	298	¼ NPT	0.1	316 SS
CDCE-90-1	298	¼ NPT	1	316 SS
CDCE-90-10	511	¼ NPT	10	316 SS
CDCE-90-20	624	¼ NPT	20	316 SS
CDCE-90S-001-S15	607	1.5" Sanitary	0.01	316 SS
CDCE-90S-1-S15	607	1.5" Sanitary	1	316 SS
CDCE-90S-001-S20	718	2.0" Sanitary	0.01	316 SS
CDCE-90S-01-S20	718	2.0" Sanitary	0.1	316 SS
CDCE-90S-1-S20	718	2.0" Sanitary	1	316 SS
CDCE-90S-001-T15	850	1.5" Sanitary	0.01	Titanium
CDCE-90S-01-T15	850	1.5" Sanitary	0.1	Titanium
CDCE-90S-1-T15	850	1.5" Sanitary	1	Titanium
CDCE-90S-001-T20	960	2.0" Sanitary	0.01	Titanium
CDCE-90S-01-T20	960	2.0" Sanitary	0.1	Titanium
CDCE-90S-1-T20	960	2.0" Sanitary	1	Titanium

* For extended cable add "-100" to model number, consult Sales for price.

omega.co.uk[®]

Your One-Stop Source for Process Measurement and Control!

Freephone 0800 488 488 | International +44(0) 161 777 6622 | Fax +44(0) 161 777 6622 | Sales@omega.co.uk

www.omega.co.uk



UNITED STATES

www.omega.com

1-800-TC-OMEGA
Stamford, CT.

UNITED KINGDOM

www.omega.co.uk

Manchester, England
0800-488-488
+44-(0)161-777-6611

CANADA

www.omega.ca

Laval(Quebec)
1-800-TC-OMEGA

FRANCE

www.omega.fr

0800-466-342

GERMANY

www.omega.de

Deckenfronn, Germany
0800-8266342

BENELUX

www.omega.nl

0800-099-33-44



More than 100,000 Products Available!

• Temperature

Calibrators, Connectors, General Test and Measurement Instruments, Handheld Instruments for Temperature Measurement, Ice Point References, Indicating Labels, Crayons, Cements and Lacquers, Infrared Temperature Measurement Instruments, Recorders, Relative Humidity Measurement Instruments, PT100 Probes, PT100 Elements, Temperature & Process Meters, Timers and Counters, Temperature and Process Controllers and Power Switching Devices, Thermistor Elements, Probes and Assemblies, Thermocouples, Thermowells and Head and Well Assemblies, Transmitters, Thermocouple Wire, RTD Probes

• Flow and Level

Air Velocity Indicators, Doppler Flowmeters, Level Measurement, Magnetic Flowmeters, Mass Flowmeters, Pitot Tubes, Pumps, Rotameters, Turbine and Paddle Wheel Flowmeters, Ultrasonic Flowmeters, Valves, Variable Area Flowmeters, Vortex Shedding Flowmeters

• pH and Conductivity

Conductivity Instrumentation, Dissolved Oxygen Instrumentation, Environmental Instrumentation, pH Electrodes and Instruments, Water and Soil Analysis Instrumentation

• Data Acquisition

Communication Products and Converters, Data Acquisition and Analysis Software, Data Loggers Plug-in Cards, Signal Conditioners, USB, RS232, RS485, Ethernet and Parallel Port Data Acquisition Systems, Wireless Transmitters and Receivers

• Pressure, Strain and Force

Displacement Transducers, Dynamic Measurement Force Sensors, Instrumentation for Pressure and Strain Measurements, Load Cells, Pressure Gauges, Pressure Reference Section, Pressure Switches, Pressure Transducers, Proximity Transducers, Regulators, Pressure Transmitters, Strain Gauges, Torque Transducers, Valves

• Heaters

Band Heaters, Cartridge Heaters, Circulation Heaters, Comfort Heaters, Controllers, Meters and Switching Devices, Flexible Heaters, General Test and Measurement Instruments, Heater Hook-up Wire, Heating Cable Systems, Immersion Heaters, Process Air and Duct, Heaters, Radiant Heaters, Strip Heaters, Tubular Heaters