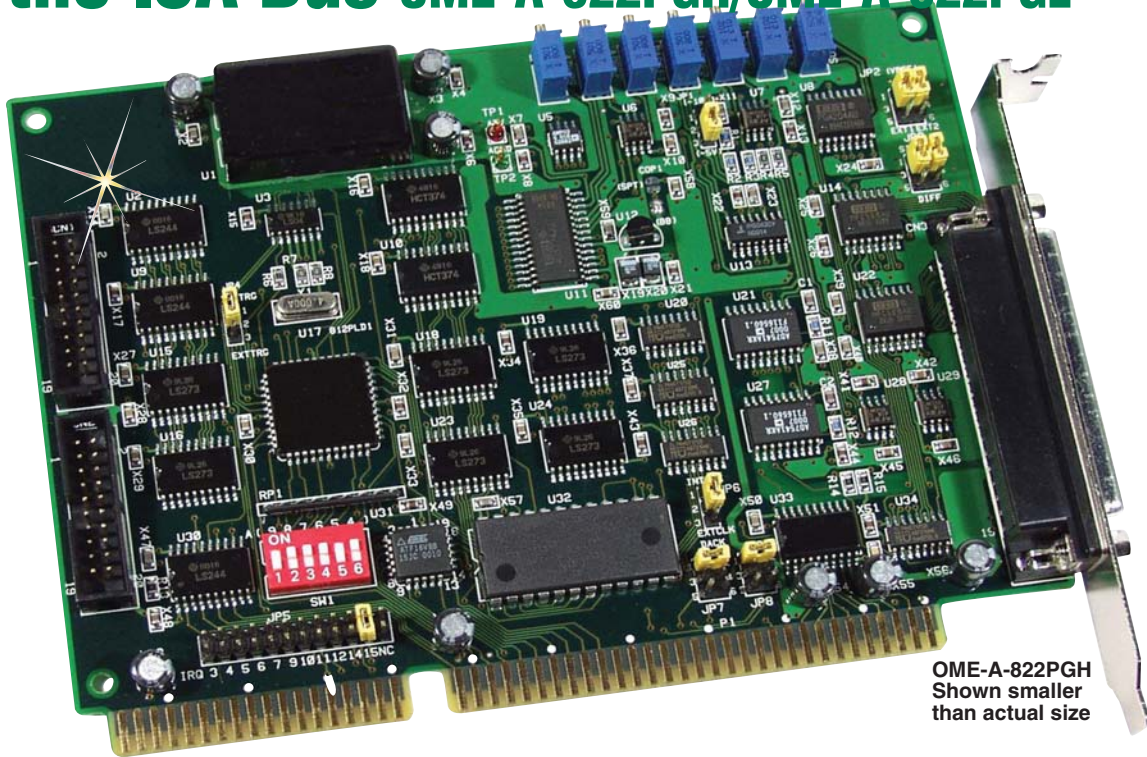


125 KS/s 16-Channel 12-Bit Analog Input Board with Analog Output and Digital I/O for the ISA Bus OME-A-822PGH/OME-A-822PGL



OME-A-822PGH
Shown smaller
than actual size

- ✓ 12-Bit A/D Converter
- ✓ 16 Single-Ended or 8 Differential Input Channels
- ✓ 125 KS/s Sampling Rate
- ✓ Two 12-Bit Analog Output Channels
- ✓ Analog Output Range: 0-5 V, 0-10 V
- ✓ Software Programmable Gain
- ✓ A/D Trigger Modes: Software Trigger, Pacer Trigger, External Trigger, Event Trigger
- ✓ A/D Data Transfer Modes: Poling, Interrupt, DMA
- ✓ 16 Digital Inputs and 16 Digital Outputs

The OME-A-822PGH/L are 12-bit multifunction analog and digital I/O boards for PC/AT compatible computers.

OMEGACARESM extended warranty program is available for models shown on this page. Ask your sales representative for full details when placing an order. OMEGACARESM covers parts, labor and equivalent loaners.

The OME-A-822PGH/L offers 16 single-ended or 8 differential analog inputs, plus two channels of analog output with 12-bit resolution. In addition, the OME-A-822PGH/PGL has 16 digital inputs, 16 digital outputs and one counter/timer channel. The OME-A-822PGH provides gains of 0.5, 1, 5, 10, 50, 100, 500 and 1000 while the OME-A-822PGL provides gains of 0.5, 1, 2, 4 and 8. It has a maximum sampling rate of 125 KS/s, DMA operation is jumper selectable for levels 1 or 3. Interrupts are jumper selectable between 3 and 15.

Software Development Kit

All data acquisition boards are supplied with a standard software development kit for Windows 98/NT/2000/XP.

\$469
Basic Unit



The software development kit includes DLL files for programming in C, C++ or other high level languages and OCX files for Visual Basic or Active X programming. LabView drivers are also included.

Specifications

Analog Input Channels: 16-channel single-ended or 8-channel differential
Resolution: 12-bits
Conversion Rate: 125 KS/s
Input Impedance: 10,000 MΩ // 6pf
Overvoltage Protection: + 35 V
Linearity: ±1-bit
Sample & Hold: on chip
Zero Drift: ±25 ppm / °C of full scale

D/A OUTPUTS

Channels: 2 independent

Type: 12-bit double buffers

Linearity: 0.006% FS

Output Range:

Internal Reference:

0 to 5 V or 0 to 10 V;

Output Driving: ± 5 mA

DIGITAL I/O

Input: 16 (LSTTL)

Input Low: $V_{IL} = 0.8$ V max

$I_{IL} = -0.4$ mA max

Input High: $V_{IH} = 2.0$ V min

$I_{IH} = 20$ μ A max

Outputs: 16 channel TTL levels

Outputs Low: $V_{OL} = 0.5$ V max

@ $I_{OL} = 8$ mA max

Outputs High: $V_{OH} = 2.7$ V min

$I_{OH} = -400$ μ A max

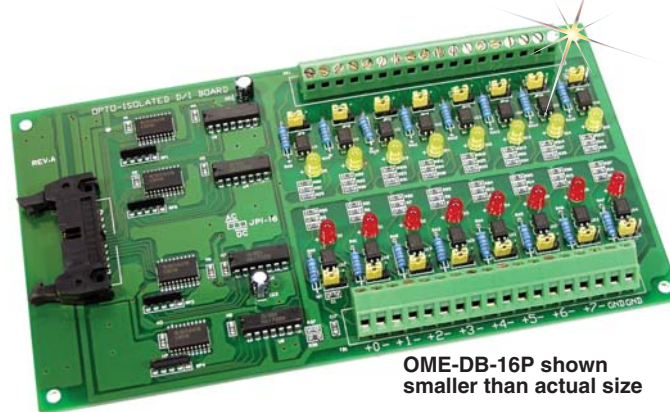
COUNTER/TIMER

Programmable Internal Timer:

0.0045 Hz to 0.5 MHz

Type: 82C54

A/D Pacer: 32-bit counter



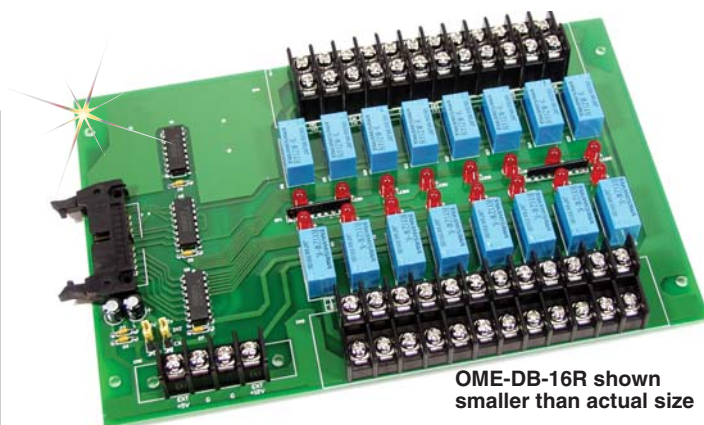
OME-DB-16P shown smaller than actual size

OME-A-822PGL Analog Input Ranges

Gain	Bipolar	Unipolar	Throughput
0.5	± 10 V	-	125 KS/s
1	± 5 V	0 to 10 V	125 KS/s
2	± 2.5 V	0 to 5 V	125 KS/s
4	± 1.25 V	0 to 2.5 V	125KS/s
8	± 0.625 V	0 to 1.25 V	100 KS/s

OME-A-822PGH Analog Input Ranges

Gain	Bipolar	Unipolar	Throughput
0.5	± 10 V	-	125 KS/s
1	± 5 V	0 to 10 V	125 KS/s
5	± 1 V	-	80 KS/s
10	± 0.5 V	0 to 1 V	80 KS/s
50	± 0.1 V	-	10 KS/s
100	± 0.05 V	0 to 0.1 V	10 KS/s
500	± 0.01 V	-	1 KS/s
1000	± 0.005 V	0 to 0.01 V	1 KS/s



OME-DB-16R shown smaller than actual size

MOST POPULAR MODELS HIGHLIGHTED!

To Order (Specify Model Number)

Model Number	Price	Description
OME-A-822PGL	\$469	125 KS/s 12-bit low gain multifunction board
OME-A-822PGH	469	125 KS/s 12-bit high gain multifunction board
OME-DB-8225/1	89	Screw terminal board for analog I/O with 1 m (3') 37-pin D-Sub cable
OME-DB-8225/2	99	Screw terminal board for analog I/O with 2 m (6.5') 37-pin D-Sub cable
OME-ADP-20/PCI	39	20-pin extender (includes two 20-pin cables)
OME-DB-37	69	Direct connect 37-pin screw terminal board for analog I/O
OME-DN-37	79	37-pin D-Sub DIN rail mount I/O connector board (two 37-pin D-Sub connectors, one for expansion) for analog inputs, includes one 1 m (3') cable
OME-DB-889D	359	16-channel analog input multiplexer board, includes 1 m (3') cable
OME-DB-16P	99	16-channel Isolated digital input board, includes 1 m (3') cable
OME-DB-16R	149	16-channel relay output board, includes 1 m (3') cable
OME-DB-24C	209	24-channel open-collector output daughter board
OME-DB-24SSR	649	24-channel SSR output board

Includes utility software and complete operator's manual on CD ROM.

Ordering Example: OME-A-822PGL 12-bit low gain multifunction board and OMEGACARESM 1 year extended warranty for (adds 1 year to standard 1 year warranty), \$469 + 44 = \$513.

General

Environmental

Power Requirements:

± 5 V @ 350 mA (max)

Operating Temperature:

0 to 50°C (32 to 122°F)

Storage Temperature:

-20 to 70°C (-4 to 158°F)

Humidity: 0 to 90% RH

non-condensing

Dimensions:

122 H x 170 mm W

(4.8 x 6.7")

Connector: analog I/O, 37-pin D-Sub; digital I/O, two 20-pin headers, (the 20-pin digital I/O headers can be extended to the PC slot window by using the OME-ADP-20/PCI adaptor)

omega.co.uk[®]

Your One-Stop Source for Process Measurement and Control!

Freephone 0800 488 488 | International +44(0) 161 777 6622 | Fax +44(0) 161 777 6622 | Sales@omega.co.uk

www.omega.co.uk



UNITED STATES

www.omega.com

1-800-TC-OMEGA
Stamford, CT.

UNITED KINGDOM

www.omega.co.uk

Manchester, England
0800-488-488
+44-(0)161-777-6611

CANADA

www.omega.ca

Laval(Quebec)
1-800-TC-OMEGA

FRANCE

www.omega.fr

0800-466-342

GERMANY

www.omega.de

Deckenfronn, Germany
0800-8266342

BENELUX

www.omega.nl

0800-099-33-44



More than 100,000 Products Available!

• Temperature

Calibrators, Connectors, General Test and Measurement Instruments, Handheld Instruments for Temperature Measurement, Ice Point References, Indicating Labels, Crayons, Cements and Lacquers, Infrared Temperature Measurement Instruments, Recorders, Relative Humidity Measurement Instruments, PT100 Probes, PT100 Elements, Temperature & Process Meters, Timers and Counters, Temperature and Process Controllers and Power Switching Devices, Thermistor Elements, Probes and Assemblies, Thermocouples, Thermowells and Head and Well Assemblies, Transmitters, Thermocouple Wire, RTD Probes

• Flow and Level

Air Velocity Indicators, Doppler Flowmeters, Level Measurement, Magnetic Flowmeters, Mass Flowmeters, Pitot Tubes, Pumps, Rotameters, Turbine and Paddle Wheel Flowmeters, Ultrasonic Flowmeters, Valves, Variable Area Flowmeters, Vortex Shedding Flowmeters

• pH and Conductivity

Conductivity Instrumentation, Dissolved Oxygen Instrumentation, Environmental Instrumentation, pH Electrodes and Instruments, Water and Soil Analysis Instrumentation

• Data Acquisition

Communication Products and Converters, Data Acquisition and Analysis Software, Data Loggers Plug-in Cards, Signal Conditioners, USB, RS232, RS485, Ethernet and Parallel Port Data Acquisition Systems, Wireless Transmitters and Receivers

• Pressure, Strain and Force

Displacement Transducers, Dynamic Measurement Force Sensors, Instrumentation for Pressure and Strain Measurements, Load Cells, Pressure Gauges, Pressure Reference Section, Pressure Switches, Pressure Transducers, Proximity Transducers, Regulators, Pressure Transmitters, Strain Gauges, Torque Transducers, Valves

• Heaters

Band Heaters, Cartridge Heaters, Circulation Heaters, Comfort Heaters, Controllers, Meters and Switching Devices, Flexible Heaters, General Test and Measurement Instruments, Heater Hook-up Wire, Heating Cable Systems, Immersion Heaters, Process Air and Duct, Heaters, Radiant Heaters, Strip Heaters, Tubular Heaters