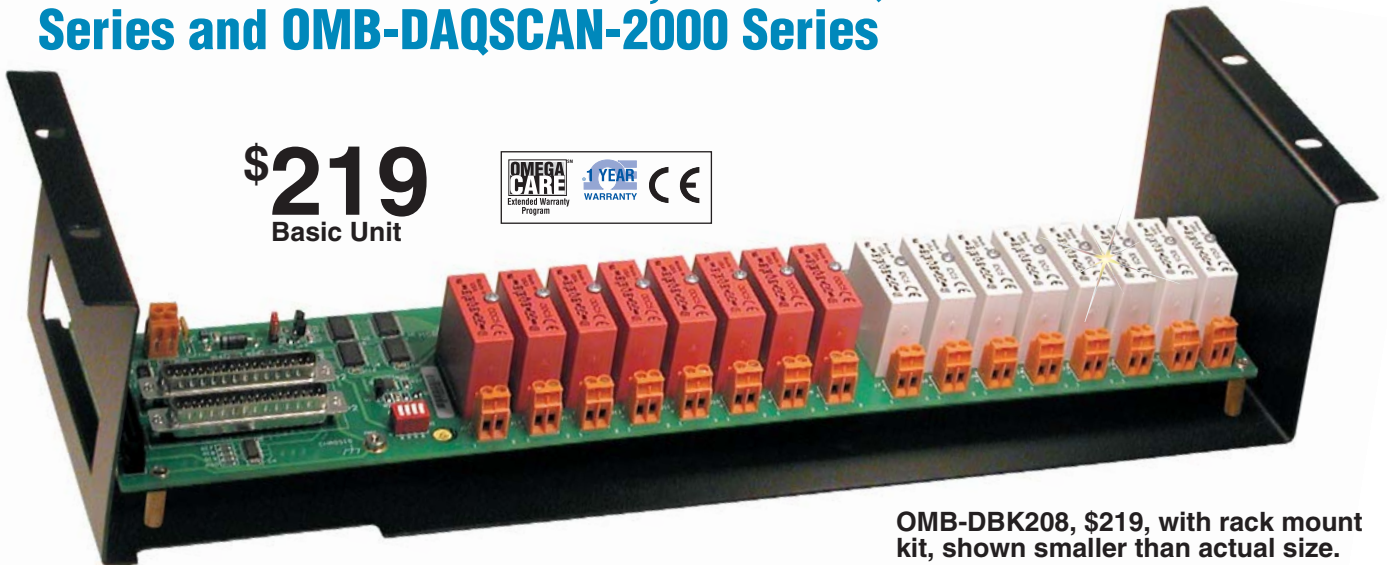


OMB-DBK208

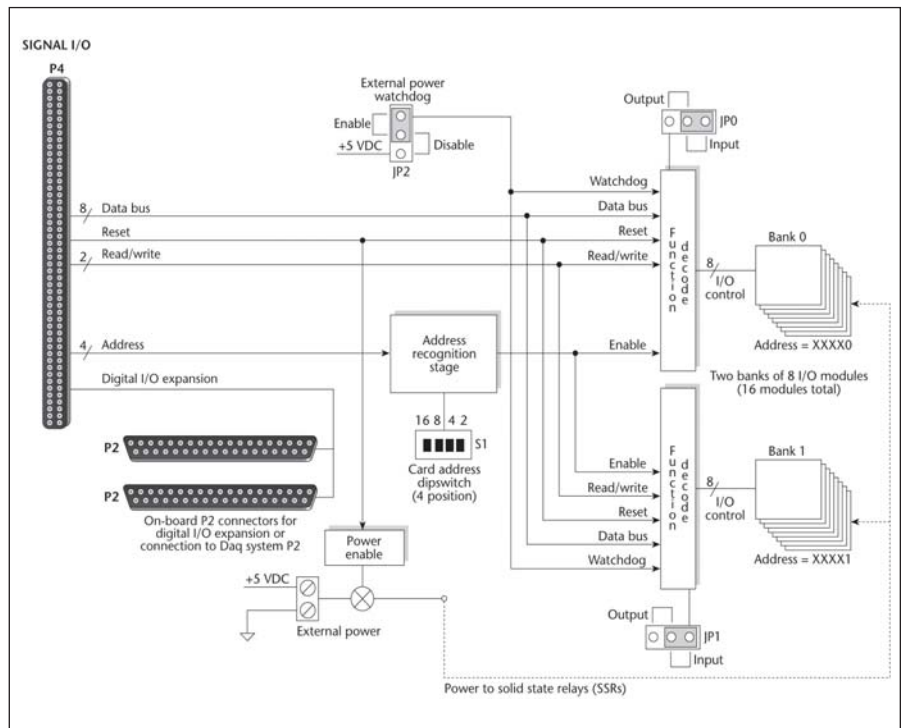
16-Channel Isolated Digital I/O Signal Conditioning Card for OMB-LOGBOOK-300, OMB-DAQBOARD-2000 Series and OMB-DAQSCAN-2000 Series

\$219
Basic Unit



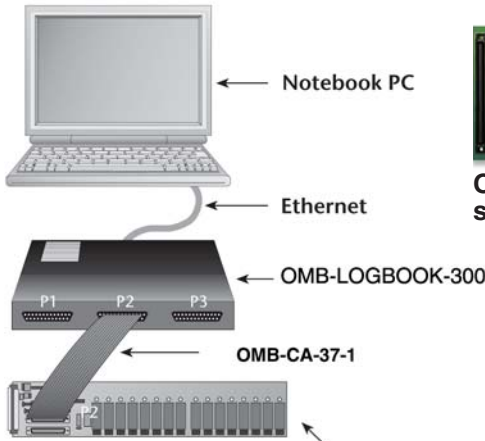
OMB-DBK208, \$219, with rack mount kit, shown smaller than actual size.

- ✓ Accepts Up to 16 Opto-22 Compatible Isolated Solid-State Relay (SSR) Digital I/O Modules
- ✓ Up to 16 OMB-DBK208 Boards Can be Daisy-Chained Supporting Expansion Up to 256 Isolated Digital I/O Lines
- ✓ 500 Vdc Channel-to-Channel and Channel-to-System Isolation
- ✓ Modules Available for Sensing AC and DC Signals and Switching AC and DC Loads
- ✓ Modules are Jumper Configured as Either Inputs or Outputs in Groups of 8
- ✓ Per-Channel Screw Terminals (12-26 AWG) for Easy Signal Connection Plus LEDs to Indicate Module Status
- ✓ On-Board Logic Permits the Disabling of Outputs Upon External Power Loss



- ✓ On-Board Logic Disables Outputs Upon Detection of a CPU Reset
- ✓ Optional Rack Mount Kit

- ✓ Easily Configured, Without Programming, with DaqView Software
- ✓ Requires 5 Vdc Power Supply



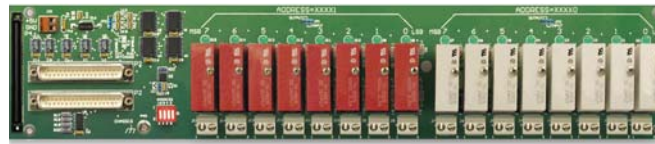
OMB-DBK208 signal conditioning and expansion board for Opto-22-compatible solid-state-relay (SSR) modules; analog and digital expansion

The OMB-DBK208 signal conditioning and expansion board can be configured with up to 16 isolated Opto-22 compatible solid-state relay (SSR) digital I/O modules. Two 8-channel banks can be jumper-selected as either inputs or outputs. Each channel features screw terminals for the convenient connection of field signals, as well as LEDs to indicate channel status.

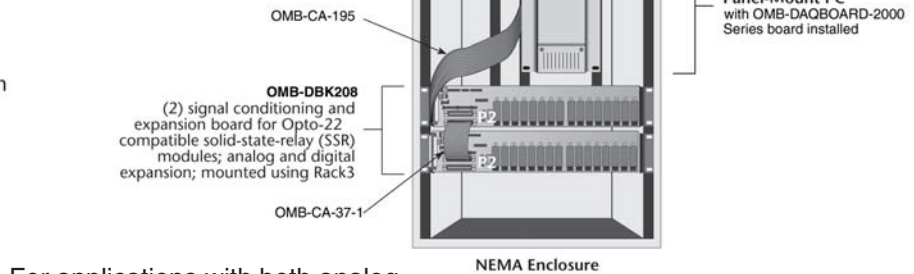
Each user-configurable signal conditioning module offers 500 V isolation from the system and from other channels. A wide variety of SSR I/O modules are available to sense AC and DC signals and to switch AC and DC loads.

An on-board jumper (JP2) allows users to determine the status of the digital outputs in the event of the loss/recovery of external power. When enabled, the loss of external power disables module outputs until the application program writes new values to the data bus. When disabled, the loss of power has no effect on the state or continued control of the outputs. Additionally, on-board logic disables module outputs upon detection of a CPU reset.

For the OMB-DAQBOARD-2000 Series boards, only a single OMB-CA-195 cable is required to terminate to the OMB-DBK208. For applications with digital I/O only channel expansion requirements, up to 16 OMB-DBK208 boards can be daisy-chained via multiple OMB-CA-37-x cables, providing expansion up to 256 digital I/O channels.



OMB-DBK208, \$219, shown smaller than actual size



For applications with both analog and digital I/O channel expansion requirements, the OMB-DBK203, OMB-DBK206 and OMB-DBK209 expansion- adaptor boards are available. All OMB-DBK signal conditioning and expansion boards are scanned at 5 μ s/channel. The OMB-DBK208 ships with panel hardware; it can also be rack-mounted with the optional OMB-RACK3 rack mount kit.

Specifications

- Module Capacity:** 16 Opto-22 compatible solid-state-relays
- Cable:** OMB-CA-37-x or OMB-CA-195
- DC Input Fuse:** 0.5A, reset type
- Power Requirement:** 5 Vdc, regulated; 0.25 A min

Operating Temperature: 0 to 70°C (32 to 158°F)

Relative Humidity: 95% RH non-condensing

Connectors:

P4: 100-pin connector provides for connection to OMB-DAQBOARD-2000 Series P4 connector via an OMB-CA-195 cable

P2: 2 P2 (DB37) connectors provide connection to a DAQ system and digital expansion via a single OMB-CA-37-x cable or multiple OMB-CA-37-1 cables

Screw Terminals: 16 sets of 2-connector blocks for I/O signals

Isolation:

Channel-to-System: 500 V
Channel-to-Channel: 500 V

AVAILABLE FOR FAST DELIVERY!

To Order (Specify Model Number)		
Model No.	Price	Description
OMB-DBK208	\$219	16-channel isolated digital I/O signal conditioning card
OMB-RACK3	41	Rack mount kit for OMB-DBK208
ACO5-C	15	AC output SSR module, switches 3 to 280 Vac
AC15-C	15	AC input SSR module, 90 to 140 Vac input
DCO5-C	15	DC output SSR module, switches 3 to 60 Vdc input
DC15-C	15	DC input SSR module, 3.3 to 32 Vdc input
OMB-CA-195	79	100-conductor expansion cable for OMB-DAQBOARD-2000, 0.9 m (3') long
OMB-CA-37-1	51	37-pin single option expansion cable for OMB-DAQSCAN-2000 and OMB-LOGBOOK-300, 18 cm (7") long

Ordering Example: OMB-DBK208, 16-channel isolated digital I/O signal conditioning card, OMEGACARE 1 year extended warranty for OMB-DBK208 (adds 1 year to standard 1-year warranty), 8 ACO5-C AC output modules and 8 DCO5-C DC output modules, \$219 + 25 + 8(15) + 8(15) = \$484.

omega.co.uk[®]

Your One-Stop Source for Process Measurement and Control!

Freephone 0800 488 488 | International +44(0) 161 777 6622 | Fax +44(0) 161 777 6622 | Sales@omega.co.uk

www.omega.co.uk



UNITED STATES

www.omega.com

1-800-TC-OMEGA
Stamford, CT.

CANADA

www.omega.ca

Laval(Quebec)
1-800-TC-OMEGA

GERMANY

www.omega.de

Deckenfronn, Germany
0800-8266342

UNITED KINGDOM

www.omega.co.uk

Manchester, England
0800-488-488
+44-(0)161-777-6611

FRANCE

www.omega.fr

0800-466-342

BENELUX

www.omega.nl

0800-099-33-44



More than 100,000 Products Available!

• Temperature

Calibrators, Connectors, General Test and Measurement Instruments, Handheld Instruments for Temperature Measurement, Ice Point References, Indicating Labels, Crayons, Cements and Lacquers, Infrared Temperature Measurement Instruments, Recorders, Relative Humidity Measurement Instruments, PT100 Probes, PT100 Elements, Temperature & Process Meters, Timers and Counters, Temperature and Process Controllers and Power Switching Devices, Thermistor Elements, Probes and Assemblies, Thermocouples, Thermowells and Head and Well Assemblies, Transmitters, Thermocouple Wire, RTD Probes

• Flow and Level

Air Velocity Indicators, Doppler Flowmeters, Level Measurement, Magnetic Flowmeters, Mass Flowmeters, Pitot Tubes, Pumps, Rotameters, Turbine and Paddle Wheel Flowmeters, Ultrasonic Flowmeters, Valves, Variable Area Flowmeters, Vortex Shedding Flowmeters

• pH and Conductivity

Conductivity Instrumentation, Dissolved Oxygen Instrumentation, Environmental Instrumentation, pH Electrodes and Instruments, Water and Soil Analysis Instrumentation

• Data Acquisition

Communication Products and Converters, Data Acquisition and Analysis Software, Data Loggers Plug-in Cards, Signal Conditioners, USB, RS232, RS485, Ethernet and Parallel Port Data Acquisition Systems, Wireless Transmitters and Receivers

• Pressure, Strain and Force

Displacement Transducers, Dynamic Measurement Force Sensors, Instrumentation for Pressure and Strain Measurements, Load Cells, Pressure Gauges, Pressure Reference Section, Pressure Switches, Pressure Transducers, Proximity Transducers, Regulators, Pressure Transmitters, Strain Gauges, Torque Transducers, Valves

• Heaters

Band Heaters, Cartridge Heaters, Circulation Heaters, Comfort Heaters, Controllers, Meters and Switching Devices, Flexible Heaters, General Test and Measurement Instruments, Heater Hook-up Wire, Heating Cable Systems, Immersion Heaters, Process Air and Duct, Heaters, Radiant Heaters, Strip Heaters, Tubular Heaters