



STANDARD TERMINAL BLOCK RELAYS

**XRU1D Series
Starts at
£ 10**



- Pluggable Relay Allows for Field Replacement
- Functional Plug-In Bridges
- Screw Connections
- LED Status Indication
- DIN Rail Mount
- Only 6.2 mm Wide
- All Common Input Voltages Between 24 Vdc to 120 Vac
- IP67 Protection
- Environmentally Friendly, Cadmium-Free Contact
- Easy, Cost-Effective and Replacement Using Engagement Lever

The XR Series Terminal Block Relays are ideal for applications that require a high switching capacity and long electrical service life. The relays are plug-in interfaces that connect to basic terminal blocks. The XR Series uses screw technology, as well as offers quick system wiring, superior safety features, clear labeling and a high level of modularity.

Application Description

Used in automation systems, electromechanical relays guarantee a safe connection between process I/O and electronic controls. The following functions are covered by relay coupling elements:

- **Electrical isolation between the input and output circuits**
- **Independence of the type of switching current (AC and DC)**
- **High short-term overload resistance in the event of short circuits or voltage peaks**
- **Low switching losses**
- **Ease of operation**



XRU1D120U, £14, shown larger than actual size.

Accessories Power Terminal Block

The XRAPLCEK power terminal block has the same shape as the relay modules and is used to feed in the bridging potentials. The nominal current is 32 A. When the total current is less than or equal to 6 A, supply can take place directly at the connecting terminal blocks of one of the connected relays.

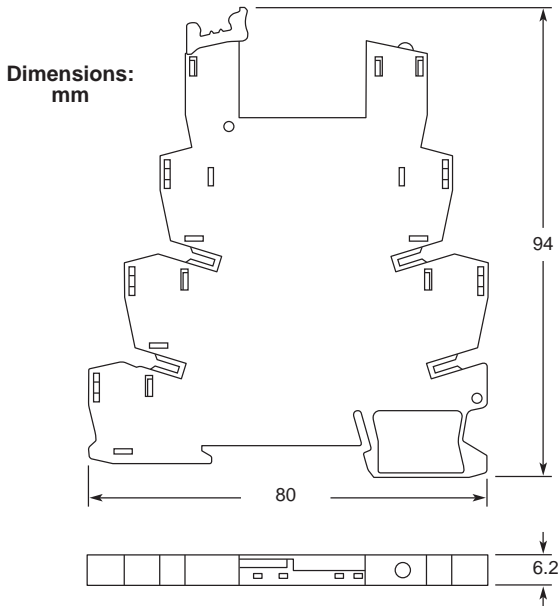
End Cover

The XRAATPBK end cover is required at the start and stop of a relay strip. It can also be used for visual separation of groups of relays as well as separating relays with voltages greater than 250V and separating neighbouring bridges with different potentials. It is equipped with pre-scored break out points at the bridging positions so that individual bridges can be passed

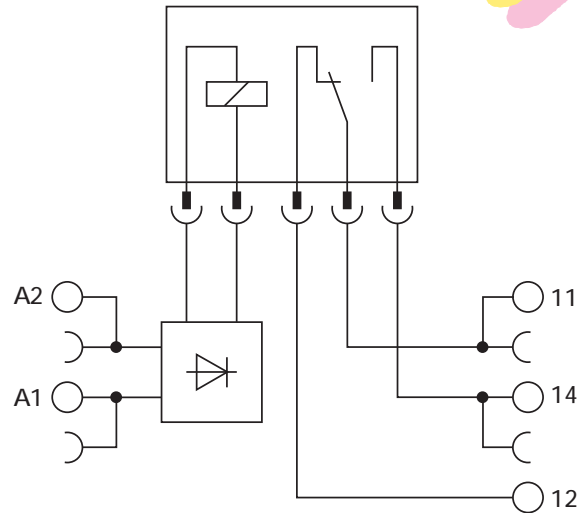
through as needed. It may also be necessary to use the end cover between adjacent relays when three phases (L1, L2, L3) are used on the contact side of the relay.

Bridges

The XRAFBST coloured, insulated plug-in bridge system reduces wiring time by up to 70% compared to conventionally wired relays. The XRAFBST2, 2-position bridges, are suited for bridging a smaller number of relays and total currents <6 A. When a circuit is supplied from both sides, the circuit can be opened at any point, allowing all other modules to continue being supplied at the same time. The XRAFBST500 allow up to 80 modules to be bridged at one time. If bridges with different potentials meet in neighbouring modules, the end cover XRAATPBK should be used. All bridges are equipped with a groove for removal with a standard screwdriver.



Schematic for standard terminal block relays



SPECIFICATIONS

Input Voltage:

XRU1D24: 24 Vdc
XRU1D24U: 24 Vac/Vdc
XRU1D120U: 120 Vac/110 Vdc

Typical Input Current:

XRU1D24: 9 mA
XRU1D24U: 11 mA (24 Vac),
 8.5 mA (24 Vdc)
XRU1D120U: 3.5 mA (120 Vac),
 3 mA (110 Vdc)

Connection Type:

Screw connection
Rigid Solid: 0.4 to 1.6 mm Dia.
Flexible Stranded: 0.4 to 1.6 mm Dia.

Typical Response Time:

XRU1D24: 5 mS
XRU1D24U and XRU1D120U: 6 mS

Typical Release Time:

XRU1D24: 8 mS
XRU1D24U and XRU1D120U: 15 mS

Input Protection:

XRU1D24: Polarity protection diode,
 free-wheeling diode
XRU1D24U and XRU1D120U:
 Bridge rectifier

Contact Type:

1 PDT

Contact Material:

AgSnO

Max Switching Voltage:

250 Vac/Vdc¹

Min Switching Voltage:

12 Vac/Vdc

Limiting Continuous Current:

6 A

Min Switching Current:

10 mA

Min Switching Power:

120 mW

Ambient Temp Range:

-20 to 60°C

Rated Operating Mode:

100% operating factor

Inflammability Class:

V0, in accordance with UL 94

Mechanical Service Life:

2 x 10⁷ cycles

¹The separating plate, XRAPLCESK, should be installed for voltages greater than 250V (L1, L2, L3) between identical terminal points of adjacent modules. Potential bridging is then possible with the XRFBST bridge system.

To Order (Specify Model Number)

AVAILABLE FOR FAST DELIVERY!

MODEL NO.	PRICE	DESCRIPTION
XRU1D120U	£14.00	1 PDT relay, 120 Vac/110 Vdc coil voltage
XRU1D24	10.00	1 PDT relay, 24 Vdc coil voltage
XRU1D24U	11.50	1 PDT relay, 24 Vac/Vdc coil voltage

Ordering Example: XRU1D120U, 1 PDT relay, £14.

REPLACEMENT RELAYS AND ACCESSORIES

MODEL NO.	PRICE	DESCRIPTION
XRR1D120U	£6.70	Replacement relay for XRU1D120U
XRR1D24	4.70	Replacement relay for XRU1D24 and XRU1D24U
XRAPLCESK-5PK	84.00	Power terminal block, 5 pack
XRAATPBK-5PK	7.00	Black end cover, 5 pack
XRAFBST2RD-10PK	9.40	2-position red snap in jumper, 10 pack
XRAFBST2BU-10PK	9.40	2-position blue snap in jumper, 10 pack
XRAFBST2GY-10PK	9.40	2-position grey snap in jumper, 10 pack
XRAFBST500RD-5PK	74.00	80-position red snap in jumper, 5 pack
XRAFBST500BU-5PK	74.00	80-position blue snap in jumper, 5 pack
XRAFBST500GY-5PK	74.00	80-position grey snap in jumper, 5 pack



UNITED STATES

www.omega.com

1-800-TC-OMEGA

Stamford, CT.

CANADA

www.omega.ca

Laval(Quebec)

1-800-TC-OMEGA

GERMANY

www.omega.de

Deckenpfronn, Germany

0800-8266342

UNITED KINGDOM

www.omega.co.uk

Manchester, England

0800-488-488

FRANCE

www.omega.fr

088-466-342

CZECH REPUBLIC

www.omegaeng.cz

Karviná, Czech Republic

596-311-899

BENELUX

www.omega.nl

0800-099-33-44



More than 100,000 Products Available!

• Temperature

Calibrators, Connectors, General Test and Measurement Instruments, Handheld Instruments for Temperature Measurement, Ice Point References, Indicating Labels, Crayons, Cements and Lacquers, Infrared Temperature Measurement Instruments, Recorders, Relative Humidity Measurement Instruments, PT100 Probes, PT100 Elements, Temperature & Process Meters, Timers and Counters, Temperature and Process Controllers and Power Switching Devices, Thermistor Elements, Probes and Assemblies, Thermocouples, Thermowells and Head and Well Assemblies, Transmitters, Thermocouple Wire, RTD Probes

• Flow and Level

Air Velocity Indicators, Doppler Flowmeters, Level Measurement, Magnetic Flowmeters, Mass Flowmeters, Pitot Tubes, Pumps, Rotameters, Turbine and Paddle Wheel Flowmeters, Ultrasonic Flowmeters, Valves, Variable Area Flowmeters, Vortex Shedding Flowmeters

• pH and Conductivity

Conductivity Instrumentation, Dissolved Oxygen Instrumentation, Environmental Instrumentation, pH Electrodes and Instruments, Water and Soil Analysis Instrumentation

• Data Acquisition

Auto-Dialers and Alarm Monitoring Systems, Communication Products and Converters, Data Acquisition and Analysis Software, Data Loggers Plug-in Cards, Signal Conditioners, USB, RS232, RS485 and Parallel Port Data Acquisition Systems, Wireless Transmitters and Receivers

• Pressure, Strain and Force

Displacement Transducers, Dynamic Measurement Force Sensors, Instrumentation for Pressure and Strain Measurements, Load Cells, Pressure Gauges, Pressure Reference Section, Pressure Switches, Pressure Transducers, Proximity Transducers, Regulators, Pressure Transmitters, Strain Gauges, Torque Transducers, Valves

• Heaters

Band Heaters, Cartridge Heaters, Circulation Heaters, Comfort Heaters, Controllers, Meters and Switching Devices, Flexible Heaters, General Test and Measurement Instruments, Heater Hook-up Wire, Heating Cable Systems, Immersion Heaters, Process Air and Duct, Heaters, Radiant Heaters, Strip Heaters, Tubular Heaters