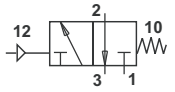
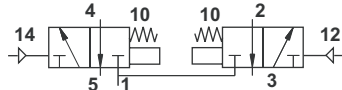
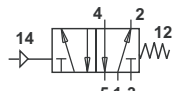
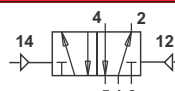




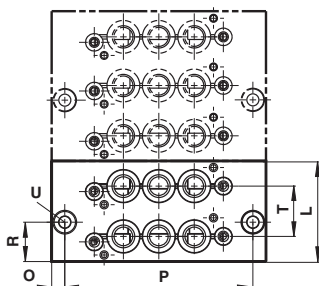
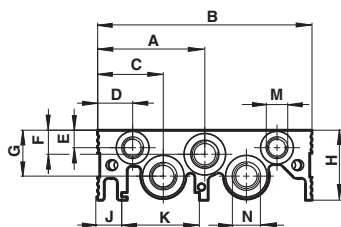


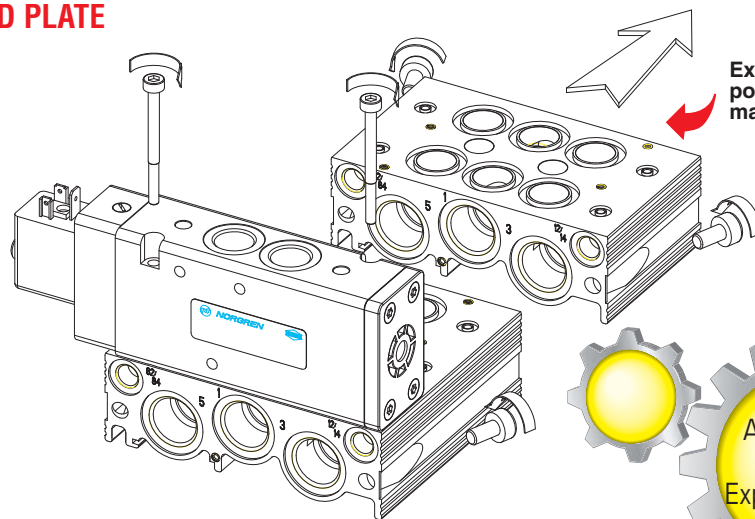
PILOT VALVE MODELS

ACTUATION	PORT SIZE	FLOW (L/MIN)	OPERATING PRESSURE (BAR)	PILOT PRESSURE (BAR)
3/2 VALVES - PILOT ACTUATED				
Pilot/Spring - NC 	1/8	750	-0,9 ... 10	2,5 ... 10
	1/4	1300	-0,9 ... 10	2,5 ... 10
	3/8	2600	-0,9 ... 10	2,5 ... 10
2 X 3/2 VALVES - PILOT ACTUATED				
NC/NC 	1/8	500	-0,9 ... 10	3 ... 10
	1/4	950	-0,9 ... 10	3 ... 10
	3/8	1900	-0,9 ... 10	3 ... 10
5/2 VALVES - PILOT ACTUATED				
Pilot/Spring 	1/8	750	-0,9 ... 10	2,5 ... 10
	1/4	1300	-0,9 ... 10	1,5 ... 10
	3/8	2600	-0,9 ... 10	2,5 ... 10
5/3 VALVES - PILOT ACTUATED				
APB 	1/8	500	-0,9 ... 10	3 ... 10
	1/4	950	-0,9 ... 16	3 ... 10
	3/8	1900	-0,9 ... 10	3 ... 10
ACCESSORIES				
STRAIGHT FITTING	ELBOW FITTING	PUSH-IN FLOW CONTROLS	BASIC PLUG	
				

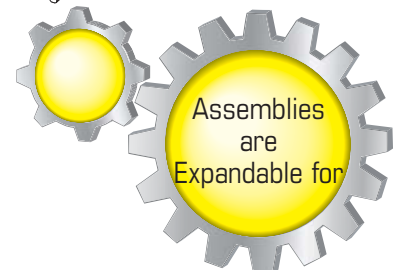
V60-V62 SERIES 5/2, 5/3, AND 2 X 3/2 MANIFOLD PLATE



Manifold plate
2 stations + 3 stations



Extension possibilities with manifold plates



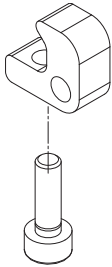
DIMENSIONS (mm)

TYPE	A	B	C	D	E	F	G	H	J	K	L	M	N	O	P	R	S	T	U
V60 2 stations	49	98	30	16	8	11	21	32	11	36	46	3.2	6.4	6	86	28	-	23	M5
V60 3 stations	49	98	30	16	8	11	21	32	11	36	69	3.2	6.4	6	86	28	-	23	M5
V61 2 stations	52	104	26	9	8	13	21	33	10	36	52	3.2	10	40	24	26	-	26	M5
V61 3 stations	52	104	26	9	8	13	20	33	10	36	78	3.2	10	40	24	52	-	26	M5
V62 2 stations	60	120	29	9	8	15	22	38	13	36	70	3.2	13	44	32	35	-	35	M6
V62 3 stations	60	120	29	9	8	15	22	38	13	36	105	3.2	13	44	32	70	-	35	M6

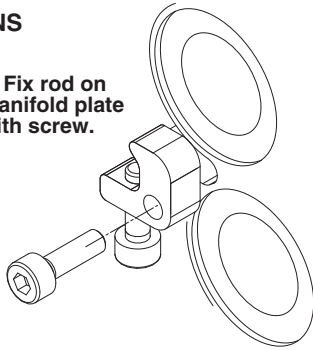
Note: Fixed length manifolds can only be used with 5 ported V60-V62 valves (not suitable for individual 3/2 valves).

DIN RAIL MOUNTING INSTRUCTIONS

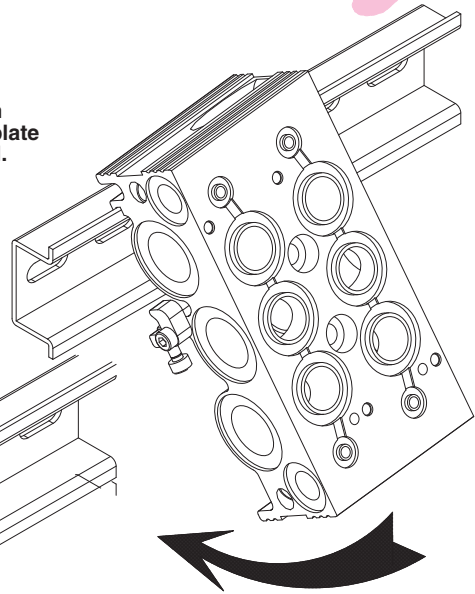
1. Mount screw in rod.



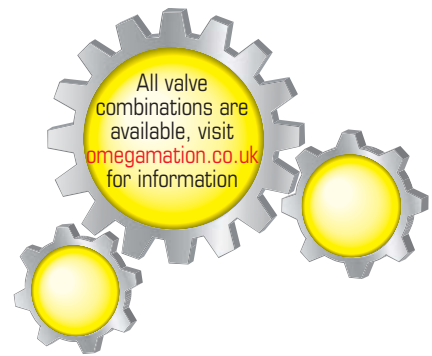
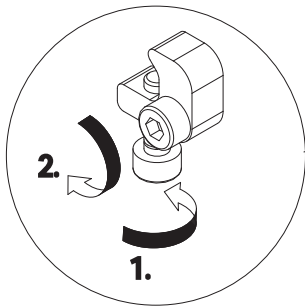
2. Fix rod on manifold plate with screw.



3. Position manifold plate on DIN rail.

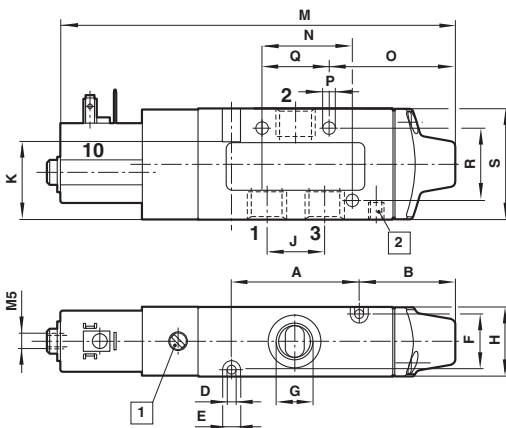


4. Tighten screws in steps as shown on picture.



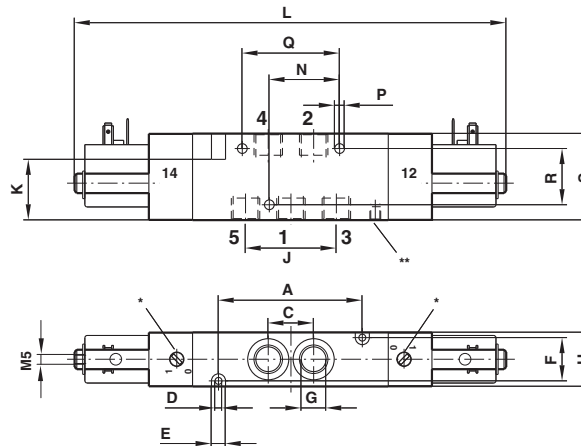
DRAWING 1

3/2 solenoid pilot



DRAWING 2

2 x 3/2 solenoid pilot



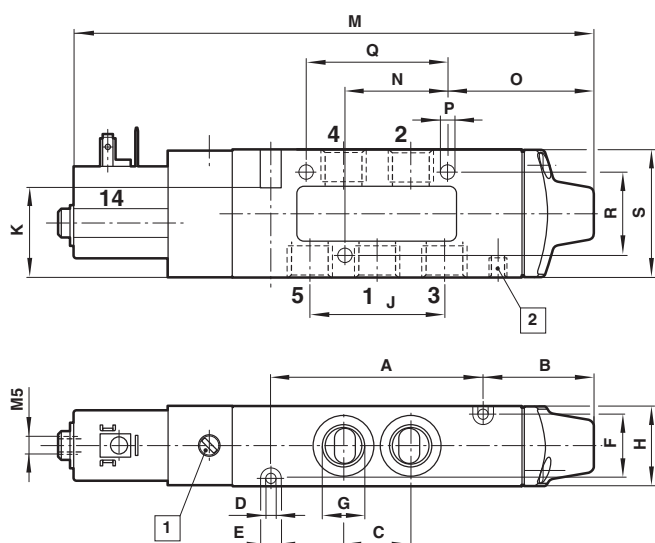
DIMENSIONS (mm)

DRAWING NO.	TYPE	A	B	C	D	E	F	G	H	J	K	L	M	N	O	P	Q	R	S	T	U
1	V60	35	17	-	3	7	17	3.2	22	16	28	-	114	25	25	5	18	26	35	-	-
1	V61	46	20	-	3	7	20	6.4	25	21	28	-	133	32	31	5	24	26	40	-	-
1	V62	54	21	-	5	8	28	10	34	24	44	-	145	12	36	5	26	36	55	-	-
2	V60	50	-	16	3	7	17	22	22	32	28	175	-	25	-	5	36	26	35	-	-
2	V61	66	-	21	3	7	20	6.4	25	42	28	199	-	32	-	5	44	26	40	-	-
2	V62	78	-	24	5	8	28	10	34	49	44	218	-	12	-	5	26	36	55	-	-



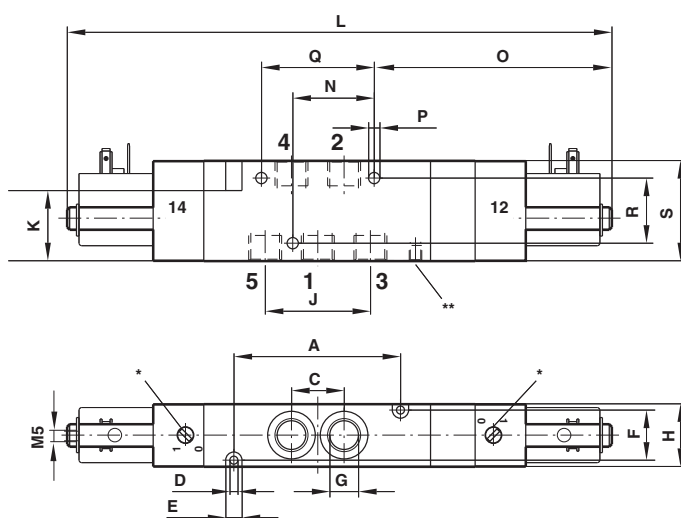
DRAWING 3

5/2 solenoid pilot



DRAWING 4

5/3 solenoid pilot



DIMENSIONS (mm)

DRAWING NO.	TYPE	A	B	C	D	E	F	G	H	J	K	L	M	N	O	P	Q	R	S	T	U
3	V60	50	17	16	3	7	17	3.2	22	32	28	-	129	25	25	5	34	26	35	-	-
3	V61	66	20	21	3	7	20	6.4	25	42	28	-	152	32	31	5	44	26	40	-	-
3	V62	78	21	24	5	8	28	10	34	49	44	-	170	12	60	5	26	36	55	-	-
4	V60	50	-	16	3	7	17	3.2	22	32	28	189	-	25	85	5	34	26	35	-	-
4	V61	66	-	21	3	7	20	6.4	25	42	28	217	-	32	-	5	44	26	40	-	-
4	V62	78	-	24	5	8	28	10	34	49	44	241	-	12	132	5	26	36	55	-	-

3- AND 5-PORT AIR PILOT VALVES

To Order (Specify Model Number)

MOST POPULAR MODELS HIGHLIGHTED!

MODEL NO.	PRICE	DESCRIPTION
3/2 AIR PILOT VALVES		
OM-AIR-V60A4D7A-X50900	£21.00	3/2 valve air/spring 1/8 G port
OM-AIR-V61B4D7A-X50900	23.50	3/2 valve air/spring 1/4 G port
OM-AIR-V62C4D7A-X50900	31.00	3/2 valve air/spring 3/8 G port
2 X 3/2 AIR PILOT VALVES		
OM-AIR-V60AADDA-X50200	£29.50	2 x 3/2 valve air/air 1/8 G port
OM-AIR-V61BADDA-X50200	33.00	2 x 3/2 valve air/air 1/4 G port
OM-AIR-V62CADDA-X50200	50.00	2 x 3/2 valve air/air 3/8 G port
5/2 AIR PILOT VALVES		
OM-AIR-V60A5D7A-X50900	£32.50	5/2 valve air/spring 1/8 G port
OM-AIR-V61B5D7A-X50900	24.25	5/2 valve air/spring 1/4 G port
OM-AIR-V62C5D7A-X50900	32.00	5/2 valve air/spring 3/8 G port
5/3 AIR PILOT VALVES		
OM-AIR-V60A6DDA-X50200	£29.50	5/3 valve air/air 1/8 G port APB
OM-AIR-V61B6DDA-X50200	33.00	5/3 valve air/air 1/4 G port APB
OM-AIR-V62C6DDA-X50200	49.00	5/3 valve air/air 3/8 G port APB



OM-AIR-V61B517A-A313JH,
£39

OM-AIR-V61BADDA-X50200,
£33

OM-AIR-V61B517A-A313JH,
£39

OM-AIR-V61B611A-A313JH,
£68

All models
shown smaller
than actual size.

3- AND 5-PORT SOLENOID PILOT VALVES

To Order (Specify Model Number)		MOST POPULAR MODELS HIGHLIGHTED!	
MODEL NO.	PRICE	DESCRIPTION	
3/2 SOLENOID VALVES			
OM-AIR-V60A417A-A313JH	£34.00	3/2 valve sol/spring NC 24 Vdc 1/8 G port	
OM-AIR-V61B417A-A313JH	37.50	3/2 valve sol/spring NC 24 Vdc 1/4 G port	
OM-AIR-V62C417A-A313JH	40.00	3/2 valve sol/spring NC 24 Vdc 3/8 G port	
2 X 3/2 SOLENOID VALVES			
OM-AIR-V60AA11A-A313JH	CALL	2x3/2 valve sol/sol NC/NC 24 Vdc 1/8 G port	
OM-AIR-V61BA11A-A313JH	CALL	2x3/2 valve Sol/Sol NC/NC 24 Vdc 1/4 G port	
OM-AIR-V62CA11A-A313JH	£80.00	2x3/2 valve sol/sol NC/NC 24 Vdc 3/8 G port	
5/2 SOLENOID VALVES			
OM-AIR-V60A517A-A313JH	£35.50	5/2 valve sol/spring NC 24 Vdc 1/8 G port	
OM-AIR-V61B517A-A313JH	39.00	5/2 valve sol/spring NC 24 Vdc 1/4 G port	
OM-AIR-V62C517A-A313JH	53.00	5/2 valve sol/spring NC 24 Vdc 3/8 G port	
5/3 SOLENOID VALVES			
OM-AIR-V60A611A-A313JH	£57.00	5/3 valve sol/sol 24 Vdc 1/8 G port APB	
OM-AIR-V61B611A-A313JH	68.00	5/3 valve sol/sol 24 Vdc 1/4 G port APB	
OM-AIR-V62C611A-A313JH	88.00	5/3 valve sol/sol 24 Vdc 3/8 G port APB	

Ordering Example: OM-AIR-V60A5D7A-X50900, 1/8 G port size N/C pilot valve, £21. OM-AIR-2221003, manifold plate, £42, and B73G-3GK-AD3-RMG, air pressure regulator and filter, £80. £21 + 20.75 + 80 = £121.75.

ACCESSORIES

MODEL NO.	PRICE	DESCRIPTION	QUANTITY
OM-AIR-2221002	£20.75	Manifold plate V60 2-valve ports	1
OM-AIR-2221003	42.00	Manifold plate V60 3-valve ports	1
OM-AIR-2221102	33.50	Manifold plate V61 2-valve ports	1
OM-AIR-2221103	48.00	Manifold plate V61 3-valve ports	1
OM-AIR-2221202	41.00	Manifold plate V62 2-valve ports	1
OM-AIR-2221203	60.00	Manifold plate V62 3-valve ports	1
OM-AIR-0101796	11.50	Din rail mounting kit	1
B72G-2GK-AE3-RMG	54.00	Air pressure regulator and filter 1/4 G*	1
B73G-3GK-AD3-RMG	80.00	Air pressure regulator and filter 3/8 G*	1
OM-AIR-0100561	5.20	Blanking plate V60**	1
OM-AIR-0100563	6.00	Blanking plate V61**	1
OM-AIR-0100565	7.00	Blanking plate V62**	1

* Valves require a regulated and filtered air supply to operate properly.
** A blanking plate is required if a manifold plate is used.



UNITED STATES

www.omega.com

1-800-TC-OMEGA

Stamford, CT.

CANADA

www.omega.ca

Laval(Quebec)

1-800-TC-OMEGA

GERMANY

www.omega.de

Deckenpfronn, Germany

0800-8266342

UNITED KINGDOM

www.omega.co.uk

Manchester, England

0800-488-488

FRANCE

www.omega.fr

088-466-342

CZECH REPUBLIC

www.omegaeng.cz

Karviná, Czech Republic

596-311-899

BENELUX

www.omega.nl

0800-099-33-44



More than 100,000 Products Available!

• Temperature

Calibrators, Connectors, General Test and Measurement Instruments, Handheld Instruments for Temperature Measurement, Ice Point References, Indicating Labels, Crayons, Cements and Lacquers, Infrared Temperature Measurement Instruments, Recorders, Relative Humidity Measurement Instruments, PT100 Probes, PT100 Elements, Temperature & Process Meters, Timers and Counters, Temperature and Process Controllers and Power Switching Devices, Thermistor Elements, Probes and Assemblies, Thermocouples, Thermowells and Head and Well Assemblies, Transmitters, Thermocouple Wire, RTD Probes

• Flow and Level

Air Velocity Indicators, Doppler Flowmeters, Level Measurement, Magnetic Flowmeters, Mass Flowmeters, Pitot Tubes, Pumps, Rotameters, Turbine and Paddle Wheel Flowmeters, Ultrasonic Flowmeters, Valves, Variable Area Flowmeters, Vortex Shedding Flowmeters

• pH and Conductivity

Conductivity Instrumentation, Dissolved Oxygen Instrumentation, Environmental Instrumentation, pH Electrodes and Instruments, Water and Soil Analysis Instrumentation

• Data Acquisition

Auto-Dialers and Alarm Monitoring Systems, Communication Products and Converters, Data Acquisition and Analysis Software, Data Loggers Plug-in Cards, Signal Conditioners, USB, RS232, RS485 and Parallel Port Data Acquisition Systems, Wireless Transmitters and Receivers

• Pressure, Strain and Force

Displacement Transducers, Dynamic Measurement Force Sensors, Instrumentation for Pressure and Strain Measurements, Load Cells, Pressure Gauges, Pressure Reference Section, Pressure Switches, Pressure Transducers, Proximity Transducers, Regulators, Pressure Transmitters, Strain Gauges, Torque Transducers, Valves

• Heaters

Band Heaters, Cartridge Heaters, Circulation Heaters, Comfort Heaters, Controllers, Meters and Switching Devices, Flexible Heaters, General Test and Measurement Instruments, Heater Hook-up Wire, Heating Cable Systems, Immersion Heaters, Process Air and Duct, Heaters, Radiant Heaters, Strip Heaters, Tubular Heaters