

# STEPPER DRIVES

## INTEGRATED STEPPER DRIVES/MOTORS WITH ADVANCED FEATURES AND CONTROL OPTIONS

**NEW**

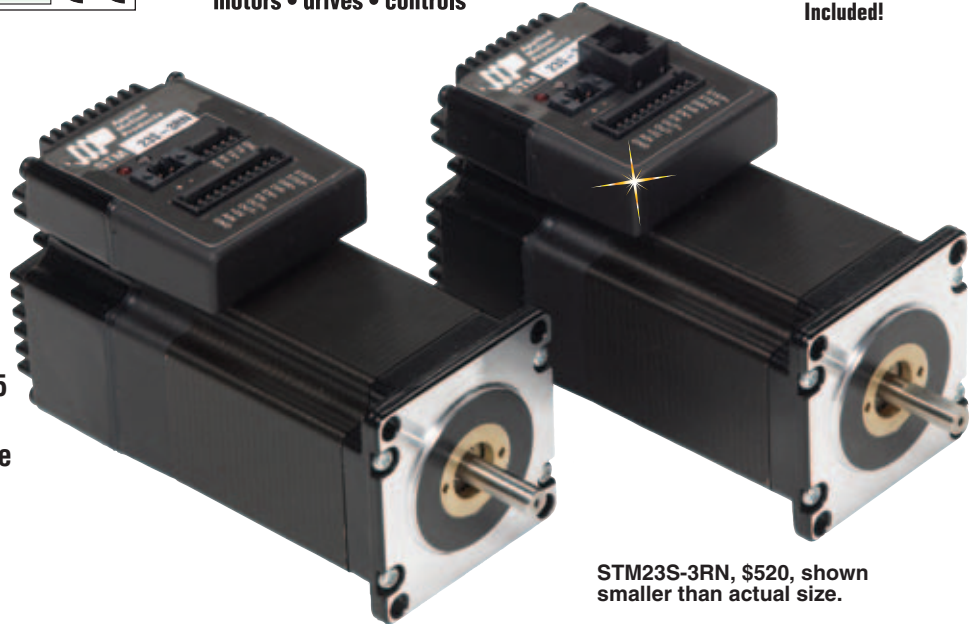
STM Series  
Starts at  
**\$417**



**Applied  
Motion  
Products**  
motors • drives • controls

Configuration  
Software  
Included!

- Current Output 0.5 to 5.0 A
- Configurator™ configuration Software
- Configurable Idle Current Reduction
- External Control Options
- Pulse and Direction
- Analog Command Signal
- Host Command via RS232/485
- Fault Protection:
  - Over-Voltage, Under-Voltage
  - Over-Temp
  - External Output Shorts
  - Internal Amplifier Shorts
  - Open Motor Phases
- Multi-Axis System with SInet™ Hub
- Microstepping Emulation Up To 51200 steps/revolution



STM23S-3RN, \$520, shown smaller than actual size.

The STM is a drive + motor + control unit, fusing step motor, drive, and controller technologies into a single device, offering savings on space, wiring and cost over conventional motor and drive solutions. The “S” models offer control options such as step and direction, analog input, joystick control, and host commands using the Si Command Language (SCL). The “Q” models add the capability of stand-alone programmable operation using the “Q” text-based programming language. This language offers high-level features such as multi-tasking, conditional programming, math functions, register access, and much more. Both of the STM models offer RS232 and RS485 versions, as well as the option of a 1000-line encoder that is integrated into the motor housing. The encoder option provides stall detection and prevention; the controller senses rotor lag and reduces speed to avoid stalling. In addition, all models offer two different motor sizes: a 2-stack version that provides 125 oz-in of holding torque, and a 3-stack version with 210 oz-in of torque.

### ADVANCED FEATURES

#### Auto Set-Up:

At start-up the drive measures motor parameters, including the resistance and inductance, then uses this information to optimize the system performance.

#### Self-Test:

At power-up the drive diagnoses mis-wires and detects any open or shorted motor phases.

#### Torque Ripple Smoothing:

The drive smoothes the low-speed torque ripple which is inherent in all step motor systems.

#### Command Signal Smoothing:

Command Signal Smoothing can soften the effect of immediate changes in velocity and direction, making the motion of the motor less jerky.

#### Anti-Resonance/ Electronic Damping:

Step motor systems resonate at certain speeds. The STM drive + motor automatically calculates the system's natural frequency and applies damping to the control algorithm.

### SPECIFICATIONS

#### POWER AMPLIFIER (ALL MODELS)

**Amplifier Type:** Dual H-Bridge, 4 Quadrant

**Current Control:** 4 state PWM at 20 KHz

**Output Torque:**

**STM23x-2 Series:** To 125 oz-in with suitable power supply

**STM23x-3 Series:** To 210 oz-in with suitable power supply

**Power Supply:** External 12 to 70 Vdc power supply required

**Input Voltage Range:** 12 to 70 Vdc

**Protection:** Over-voltage, under-voltage, over-temp, motor/wiring shorts (phase-to-phase, phase-to-ground)

**Idle Current Reduction:** Reduction range of 0 to 90% of running current after delay selectable in milliseconds

**Ambient Temperature:** 0 to 40°C (32 to 104°F) (mounted to suitable heatsink)

**Humidity:** 90% non-condensing

#### CONTROLLER (ALL MODELS)

**Microstep Resolution:** Software selectable from 200 to 51200 steps/rev in increments of 2 steps/rev

**Anti-Resonance (Electronic Damping):** Raises the system damping ratio to eliminate midrange instability and allow stable operation throughout the speed range and improves settling time



**Torque Ripple Smoothing:** Allows for fine adjustment of phase current waveform harmonic content to reduce low-speed torque ripple in the range 0.25 to 1.5 rps

**Auto Set-Up:** Measures motor parameters and configures motor current control and anti-resonance gain settings

**Self Test:** Checks internal and external power supply voltages; diagnoses open motor phases and motor resistance changes >40%; detects encoder wiring and signal faults (differential encoder only)

**Microstep Emulation:** Performs high resolution stepping by synthesizing fine microsteps from coarse steps (step and direction mode only)

**Command Signal Smoothing:** Software configurable filtering reduces jerk and excitation of extraneous system resonances (step and direction mode only)

#### CONTROLLER ("S" MODELS)

##### Non-Volatile Storage:

Configurations are saved in FLASH memory on-board the DSP

**Mode of Operation:** Step and direction, CW/CCW, A/B quadrature, oscillator, joystick, SCL, hub

##### Step and Direction Inputs:

**STEP ±:** Optically Isolated, 5 to 24V; minimum pulse width = 250 ns; maximum pulse frequency = 3 MHz; function: Step, CW Step, A quadrature, encoder following, CW limit, CW jog, start/stop (oscillator mode)

**DIR ±:** Optically isolated, 5 to 24V; minimum pulse width = 250 ns; maximum pulse frequency = 3 MHz; function: DIR, CCW step, B quadrature, encoder following, CCW limit, CCW jog, sensor, DIR (oscillator mode), adjustable bandwidth digital noise rejection filter on all inputs

##### Enable Input:

**EN±:** Optically isolated, 5 to 24V; minimum pulse width = 250 ns; maximum pulse frequency = 3 MHz; function: enable, reset, speed 1/speed 2 (oscillator mode)

**Output:** Optically isolated, 24V, 40 mA max NPN/sinking; function: fault, motion, tach or general purpose programmable

**Analog Input Range:** 0 to 5 Vdc  
**Analog Input Resolution:** 12 bits

**Communication Interface:** RS232 or RS485

#### CONTROLLER ("Q" MODELS)

**Non-Volatile Storage:** Programs, data and drive configuration are saved in FLASH and EEPROM memory

##### Inputs:

**STEP ±:** Optically isolated, 5 to 24V; minimum pulse width = 250 ns; maximum pulse frequency = 3 MHz; function: step, CW step, A quadrature, encoder following, CW limit, CW jog, start/stop (oscillator mode), general purpose input

**DIR ±:** Optically isolated, 5 to 24V; minimum pulse width = 250 ns; maximum pulse frequency = 3 MHz; function: DIR, CCW step, B quadrature, encoder following, CCW limit, CCW jog, sensor, DIR (oscillator mode), general purpose input

**EN ±:** Optically isolated, 5 to 24V; minimum pulse width = 250 ns; maximum pulse frequency = 3 MHz; function: enable, reset, speed 1/speed 2 (oscillator mode), general purpose input

Adjustable bandwidth digital noise rejection filter on all inputs

**Output:** Optically isolated, 24V, 40 mA max NPN/sinking

**Function:** Fault, motion, tach or general purpose programmable

**Analog Input Range:** 0 to 5 Vdc

**Analog Input Resolution:** 12 bits

**Communication Interface:** RS232 or RS485

#### PHYSICAL (ALL MODELS)

##### Mass:

STM23X-2XX = 1 lb 14 oz

STM23X-3XX = 2 lb 10 oz

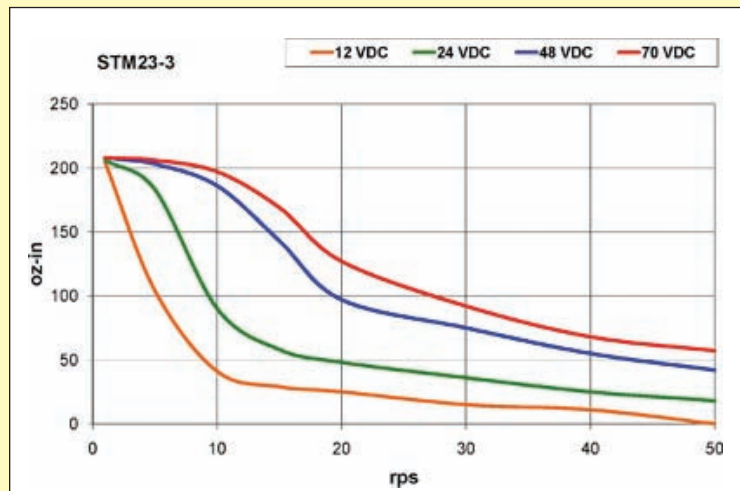
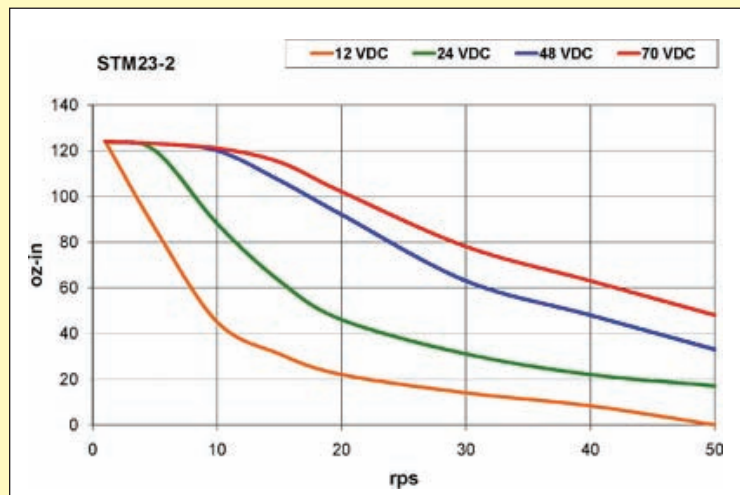
##### Rotor Inertia:

STM23X-2XX = 0.0037 oz-in<sup>2</sup>

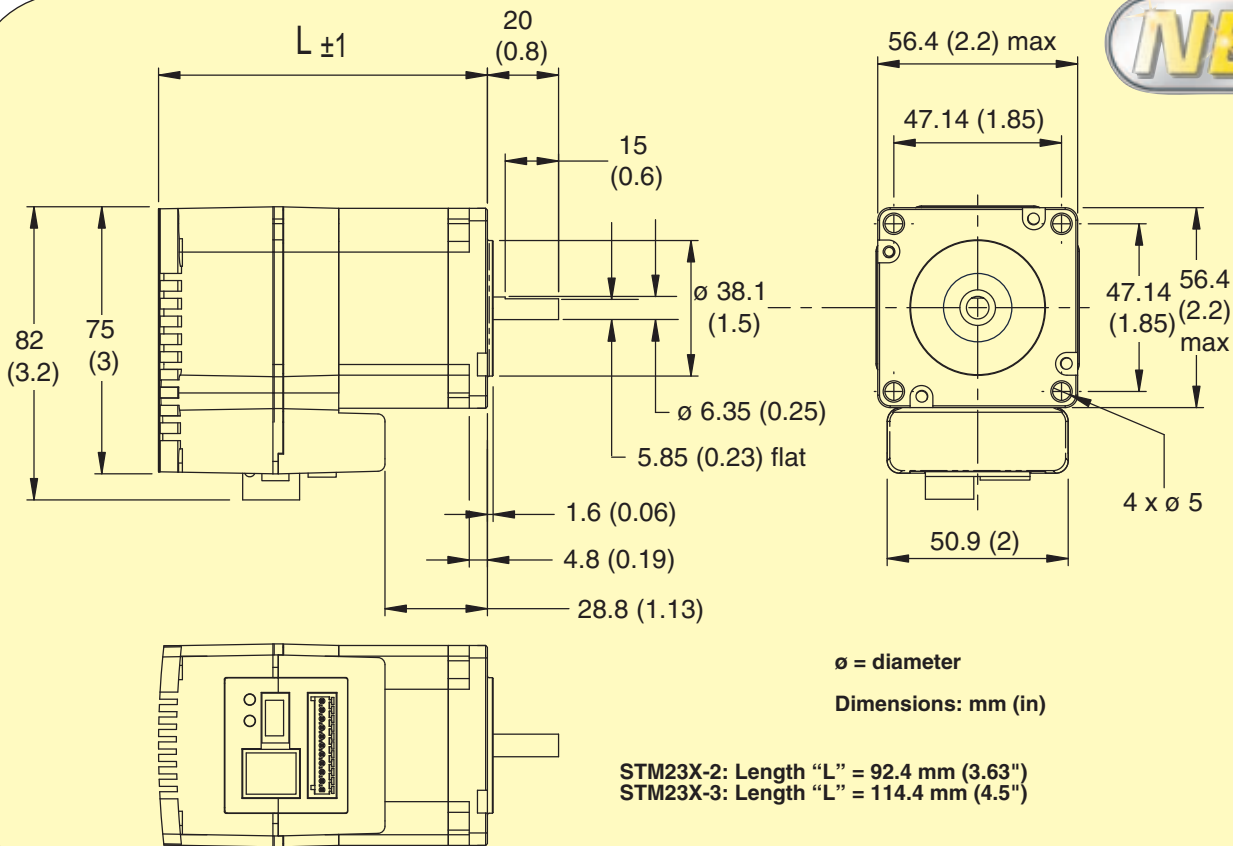
STM23X-3XX = 0.0065 oz-in<sup>2</sup>

**Operating Temp Range:** -20 to 50°C (-4 to 122°F)

## TORQUE-SPEED CURVES



**NEW**



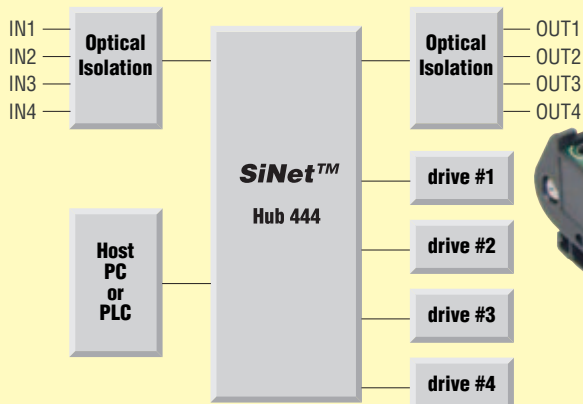
## ACCESSORIES

### Multi-Axis Systems

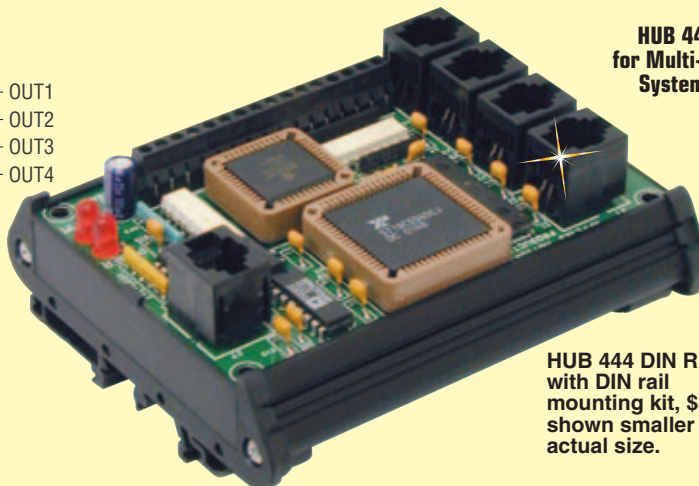
Connect up to 4 drives on a multi-axis system using SiNet™ Hub 444. Use SiNet Hub Programmer™ software to develop your sequence of events, then download to the hub for a stand-alone system or send serial commands to the drives from a PC, PLC, HMI, or other host controller.

Order HUB 444 Separately. See Page D-34 for Details.

HUB 444, \$320, shown smaller than actual size.



HUB 444 for Multi-Axis Systems

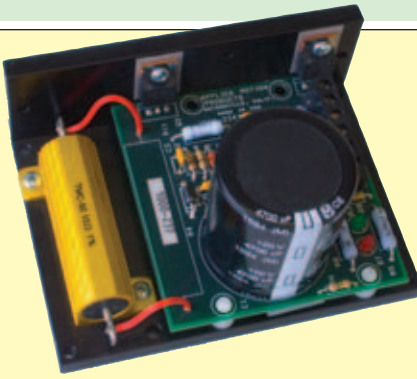


HUB 444 DIN RAIL with DIN rail mounting kit, \$320, shown smaller than actual size.



**NEW**

OMRC-050, \$210, shown smaller than actual size.



**RC050 Regen Clamp—  
For Stepper Drive  
Power Supply Protection**

- Voltage Range 24 to 80 Vdc
- 50 W Power Dissipation
- Regen Present LED
- Power LED
- 76 x 102 x 6.4 mm (3 x 4 x 2.5")

**SPECIFICATIONS**

Input Power Cont: 50 W  
Input Power Peak: 800 W  
Voltage Range: 24 to 80 Vdc

Order **OMRC-050** Separately. See Page D-39 for Details.

OMPS150A24, \$180, shown smaller than actual size.

Recommended when using NEMA 23 motors @ speeds >1- rps deceleration rate is > 100 rev/sec<sup>2</sup>

Order Power Supplies Separately. See Page D-37 for Details.



**SOFTWARE ST CONFIGURATOR™**



Software Included Free with Purchase of STM Drives!

- Simple Drive Set-Up
- Store and Download Configurations

**To Order (Specify Model Number)**

**MOST POPULAR MODELS HIGHLIGHTED!**

MODEL NO.	PRICE	DESCRIPTION
<b>“S” MODELS</b>		
STM23S-2AN	\$417	Integrated stepper drive/motor, 125 oz-in max torque, RS232
STM23S-2RN	485	Integrated stepper drive/motor, 125 oz-in max torque, RS485
STM23S-2AE	628	Integrated stepper drive/motor, 125 oz-in max torque, RS232, encoder
STM23S-2RE	667	Integrated stepper drive/motor, 125 oz-in max torque, RS485, encoder
STM23S-3AN	477	Integrated stepper drive/motor, 210 oz-in max torque, RS232
STM23S-3RN	520	Integrated stepper drive/motor, 210 oz-in max torque, RS485
STM23S-3AE	660	Integrated stepper drive/motor, 210 oz-in max torque, RS232, encoder
STM23S-3RE	687	Integrated stepper drive/motor, 210 oz-in max torque, RS485, encoder
<b>“Q” MODELS</b>		
STM23Q-2AN	\$555	Integrated stepper drive/motor, 125 oz-in max torque, RS232
STM23Q-2RN	623	Integrated stepper drive/motor, 125 oz-in max torque, RS485
STM23Q-2AE	855	Integrated stepper drive/motor, 125 oz-in max torque, RS232, encoder
STM23Q-2RE	856	Integrated stepper drive/motor, 125 oz-in max torque, RS485, encoder
STM23Q-3AN	620	Integrated stepper drive/motor, 210 oz-in max torque, RS232
STM23Q-3RN	685	Integrated stepper drive/motor, 210 oz-in max torque, RS485
STM23Q-3AE	890	Integrated stepper drive/motor, 210 oz-in max torque, RS232, encoder
STM23Q-3RE	890	Integrated stepper drive/motor, 210 oz-in max torque, RS485, encoder
<b>ACCESSORIES</b>		
OMPS150A24	\$180	Power supply for STM drive, 24 Vdc, 6.3 A
OMPS300A48	266	Power supply for STM drive, 48 Vdc, 6.7 A
HUB 444	320	Multi-axis motion serial hub
HUB 444 DIN RAIL	320	Multi-axis motion serial hub with DIN-rail mounting kit

Comes complete with software and download cable. **Note:** Power supply is required (sold separately).  
**Ordering Examples:** STM23S-2AE, integrated stepper drive/motor with 125 oz-in holding torque and RS232 interface plus 1000-line encoder and OMPS150A24, 24 Vdc power supply, \$628 + 180 = **\$808**. STM23S-2RN, integrated stepper drive/motor with 125 oz-in holding torque and RS485 interface and OMPS150A24, 24 Vdc power supply, \$485 + 180 = **\$665**.

# omega.co.uk®

Your One-Stop Source for Process Measurement and Control!

Freephone 0800 488 488 | International +44(0) 161 777 6622 | Fax +44(0) 161 777 6622 | Sales@omega.co.uk

[www.omega.co.uk](http://www.omega.co.uk)



#### UNITED STATES

[www.omega.com](http://www.omega.com)

1-800-TC-OMEGA  
Stamford, CT.

#### UNITED KINGDOM

[www.omega.co.uk](http://www.omega.co.uk)

Manchester, England  
0800-488-488  
+44-(0)161-777-6611

#### CANADA

[www.omega.ca](http://www.omega.ca)

Laval(Quebec)  
1-800-TC-OMEGA

#### FRANCE

[www.omega.fr](http://www.omega.fr)

0800-466-342

#### GERMANY

[www.omega.de](http://www.omega.de)

Deckenfronn, Germany  
0800-8266342

#### BENELUX

[www.omega.nl](http://www.omega.nl)

0800-099-33-44



## More than 100,000 Products Available!

### • Temperature

Calibrators, Connectors, General Test and Measurement Instruments, Handheld Instruments for Temperature Measurement, Ice Point References, Indicating Labels, Crayons, Cements and Lacquers, Infrared Temperature Measurement Instruments, Recorders, Relative Humidity Measurement Instruments, PT100 Probes, PT100 Elements, Temperature & Process Meters, Timers and Counters, Temperature and Process Controllers and Power Switching Devices, Thermistor Elements, Probes and Assemblies, Thermocouples, Thermowells and Head and Well Assemblies, Transmitters, Thermocouple Wire, RTD Probes

### • Flow and Level

Air Velocity Indicators, Doppler Flowmeters, Level Measurement, Magnetic Flowmeters, Mass Flowmeters, Pitot Tubes, Pumps, Rotameters, Turbine and Paddle Wheel Flowmeters, Ultrasonic Flowmeters, Valves, Variable Area Flowmeters, Vortex Shedding Flowmeters

### • pH and Conductivity

Conductivity Instrumentation, Dissolved Oxygen Instrumentation, Environmental Instrumentation, pH Electrodes and Instruments, Water and Soil Analysis Instrumentation

### • Data Acquisition

Communication Products and Converters, Data Acquisition and Analysis Software, Data Loggers Plug-in Cards, Signal Conditioners, USB, RS232, RS485, Ethernet and Parallel Port Data Acquisition Systems, Wireless Transmitters and Receivers

### • Pressure, Strain and Force

Displacement Transducers, Dynamic Measurement Force Sensors, Instrumentation for Pressure and Strain Measurements, Load Cells, Pressure Gauges, Pressure Reference Section, Pressure Switches, Pressure Transducers, Proximity Transducers, Regulators, Pressure Transmitters, Strain Gauges, Torque Transducers, Valves

### • Heaters

Band Heaters, Cartridge Heaters, Circulation Heaters, Comfort Heaters, Controllers, Meters and Switching Devices, Flexible Heaters, General Test and Measurement Instruments, Heater Hook-up Wire, Heating Cable Systems, Immersion Heaters, Process Air and Duct, Heaters, Radiant Heaters, Strip Heaters, Tubular Heaters