



NEMA TYPE 12 CONTINUOUS HINGE ENCLOSURES

*SCE-CH Series
Starts at
\$37*



- 0.075" Carbon Steel
- Seams Continuously Welded and Ground Smooth, No Holes or Knockouts
- Continuous Hinge
- External Screw Clamps are Quick and Easy to Operate
- Oil Resistant Gasket
- Standoffs Provided for Mounting Optional Panels
- Ground Stud on Door

Application

Designed for use as electrical junction boxes, terminal wiring boxes, instrument housings, and electrical control enclosures. Provides protection from dust, dirt, oil and water.

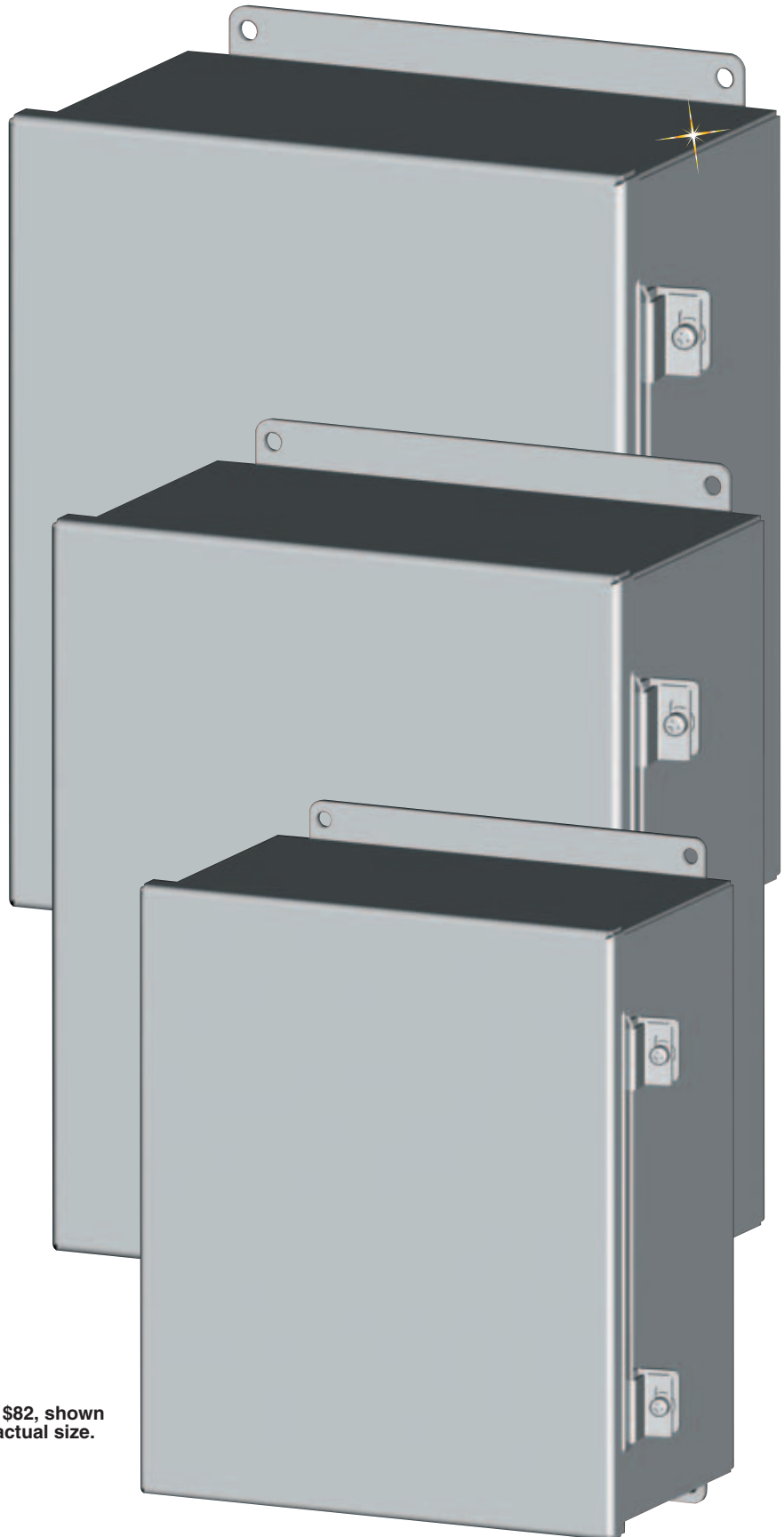
Finish

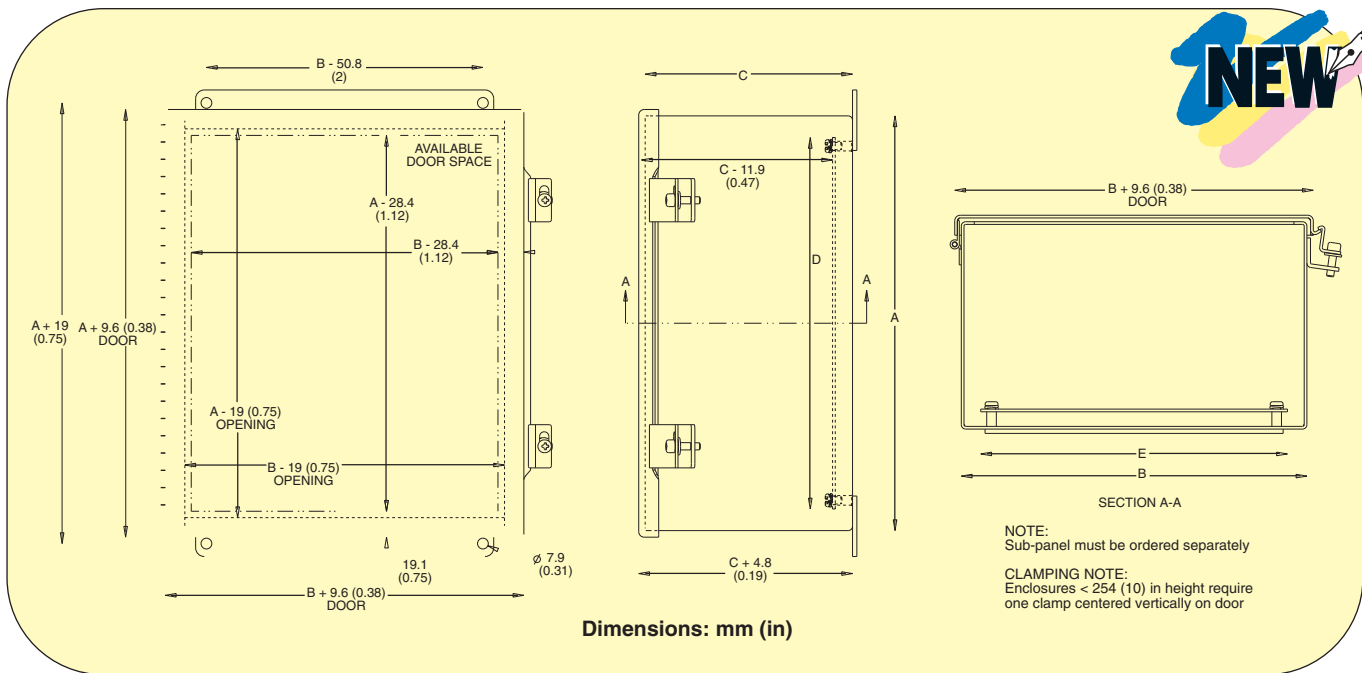
ANSI-61 gray powder coating inside and out over phosphatized surfaces. Optional panels are powder coated white.

Industry Standards -

NEMA Type 12 & Type 13
UL Listed Type 12
CSA Type 12
IEC 60529 IP 55

SCE-1210CH, \$82, shown smaller than actual size.





Dimensions: mm (in)

To Order (Specify Model Number)

MOST POPULAR MODELS HIGHLIGHTED!

TYPE 12 CONTINUOUS HINGE ENCLOSURES

ENCLOSURES (in)					SUB-PANEL (in)			
MODEL NO.	PRICE	HEIGHT (A)	WIDTH (B)	DEPTH (C)	MODEL NO.	PRICE	HEIGHT (D)	WIDTH (E)
SCE-404CH	\$37.00	4.00	4.00	3.00	No Panel	—	—	—
SCE-4044CH	38.50	4.00	4.00	4.00	No Panel	—	—	—
SCE-604CH	42.00	6.00	4.00	3.00	SCE-6P4	\$3.10	4.88	2.88
SCE-6044CH	45.00	6.00	4.00	4.00	SCE-6P4	3.10	4.88	2.88
SCE-606CH	48.50	6.00	6.00	4.00	SCE-6P6	3.80	4.88	4.88
SCE-806CH	52.00	8.00	6.00	3.50	SCE-8P6	4.30	6.75	4.88
SCE-8066CH	60.00	8.00	6.00	6.00	SCE-8P6	4.30	6.75	4.88
SCE-808CH	59.00	8.00	8.00	4.00	SCE-8P8	5.10	6.75	6.88
SCE-8086CH	68.00	8.00	8.00	6.00	SCE-8P8	5.10	6.75	6.88
SCE-1008CH	64.00	10.00	8.00	4.00	SCE-10P8	5.90	8.75	6.88
SCE-1008CHS	64.00	10.00	8.00	4.00	SCE-10P8	5.90	8.75	6.88
SCE-10086CH	73.00	10.00	8.00	6.00	SCE-10P8	5.90	8.75	6.88
SCE-10106CH	79.00	10.00	10.00	6.00	SCE-10P10	7.00	8.75	8.88
SCE-12064CH	63.00	12.00	6.00	4.00	SCE-12P6	5.60	10.75	4.88
SCE-1210CH	82.00	12.00	10.00	5.00	SCE-12P10	8.00	10.75	8.88
SCE-1210CHS	82.00	12.00	10.00	5.00	SCE-12P10	8.00	10.75	8.88
SCE-12106CH	84.00	12.00	10.00	6.00	SCE-12P10	8.00	10.75	8.88
SCE-12108CH	97.00	12.00	10.00	8.00	SCE-12P10	8.00	10.75	8.88
SCE-1212CH	95.00	12.00	12.00	6.00	SCE-12P12	9.40	10.75	10.88
SCE-14086CH	86.00	14.00	8.00	6.00	SCE-14P8	7.70	12.75	6.88
SCE-1412CH	104.00	14.00	12.00	6.00	SCE-14P12	10.50	12.75	10.88
SCE-1412CHS	104.00	14.00	12.00	6.00	SCE-14P12	10.50	12.75	10.88
SCE-14128CH	115.00	14.00	12.00	8.00	SCE-14P12	10.50	12.75	10.88
SCE-16106CH	101.00	16.00	10.00	6.00	SCE-16P10	10.25	14.75	8.88
SCE-1614CH	122.00	16.00	14.00	6.00	SCE-16P14	20.75	14.75	12.88
SCE-1614CHS	122.00	16.00	14.00	6.00	SCE-16P14	20.75	14.75	12.88
SCE-16148CH	134.00	16.00	14.00	8.00	SCE-16P14	20.75	14.75	12.88
SCE-161410CH	148.00	16.00	14.00	10.00	SCE-16P14	20.75	14.75	12.88

Note: Model numbers ending in "S" are hinged on the "B" dimension.

Ordering Examples: SCE-404CH, Type 12 continuous hinge enclosures, \$37.

SCE-8086CH, Type 12, continuous hinge enclosure, 8 H x 8 W x 6" D, SCE-8P8, sub-panel, \$60 + 4.30 = \$64.30.

omega.co.uk[®]

Your One-Stop Source for Process Measurement and Control!

Freephone 0800 488 488 | International +44(0) 161 777 6622 | Fax +44(0) 161 777 6622 | Sales@omega.co.uk

www.omega.co.uk



UNITED STATES

www.omega.com

1-800-TC-OMEGA
Stamford, CT.

UNITED KINGDOM

www.omega.co.uk

Manchester, England
0800-488-488
+44-(0)161-777-6611

CANADA

www.omega.ca

Laval(Quebec)
1-800-TC-OMEGA

FRANCE

www.omega.fr

0800-466-342

GERMANY

www.omega.de

Deckenfronn, Germany
0800-8266342

BENELUX

www.omega.nl

0800-099-33-44



More than 100,000 Products Available!

• Temperature

Calibrators, Connectors, General Test and Measurement Instruments, Handheld Instruments for Temperature Measurement, Ice Point References, Indicating Labels, Crayons, Cements and Lacquers, Infrared Temperature Measurement Instruments, Recorders, Relative Humidity Measurement Instruments, PT100 Probes, PT100 Elements, Temperature & Process Meters, Timers and Counters, Temperature and Process Controllers and Power Switching Devices, Thermistor Elements, Probes and Assemblies, Thermocouples, Thermowells and Head and Well Assemblies, Transmitters, Thermocouple Wire, RTD Probes

• Flow and Level

Air Velocity Indicators, Doppler Flowmeters, Level Measurement, Magnetic Flowmeters, Mass Flowmeters, Pitot Tubes, Pumps, Rotameters, Turbine and Paddle Wheel Flowmeters, Ultrasonic Flowmeters, Valves, Variable Area Flowmeters, Vortex Shedding Flowmeters

• pH and Conductivity

Conductivity Instrumentation, Dissolved Oxygen Instrumentation, Environmental Instrumentation, pH Electrodes and Instruments, Water and Soil Analysis Instrumentation

• Data Acquisition

Communication Products and Converters, Data Acquisition and Analysis Software, Data Loggers Plug-in Cards, Signal Conditioners, USB, RS232, RS485, Ethernet and Parallel Port Data Acquisition Systems, Wireless Transmitters and Receivers

• Pressure, Strain and Force

Displacement Transducers, Dynamic Measurement Force Sensors, Instrumentation for Pressure and Strain Measurements, Load Cells, Pressure Gauges, Pressure Reference Section, Pressure Switches, Pressure Transducers, Proximity Transducers, Regulators, Pressure Transmitters, Strain Gauges, Torque Transducers, Valves

• Heaters

Band Heaters, Cartridge Heaters, Circulation Heaters, Comfort Heaters, Controllers, Meters and Switching Devices, Flexible Heaters, General Test and Measurement Instruments, Heater Hook-up Wire, Heating Cable Systems, Immersion Heaters, Process Air and Duct, Heaters, Radiant Heaters, Strip Heaters, Tubular Heaters