



# TYPE 1 ENCLOSURES WITH KNOCKOUTS



SCE-18N1606N-T, \$128  
shown smaller than actual size.

Starts at  
**\$128**



- 0.063 and 0.075" Carbon Steel Depending On Its Size
- Spot Weld Construction
- Knockouts Provided in The Top, of Enclosure Bottom, Right and Left Side
- Standoffs Provided For Mounting Optional Panels
- Continuous Hinge
- Doors Open 180°
- Key Locking Quarter Turn Latches
- Ground Stud On Door
- Mounting Holes in Back of Enclosure
- Subpanel with Mounting Grid Pattern Included



### Application

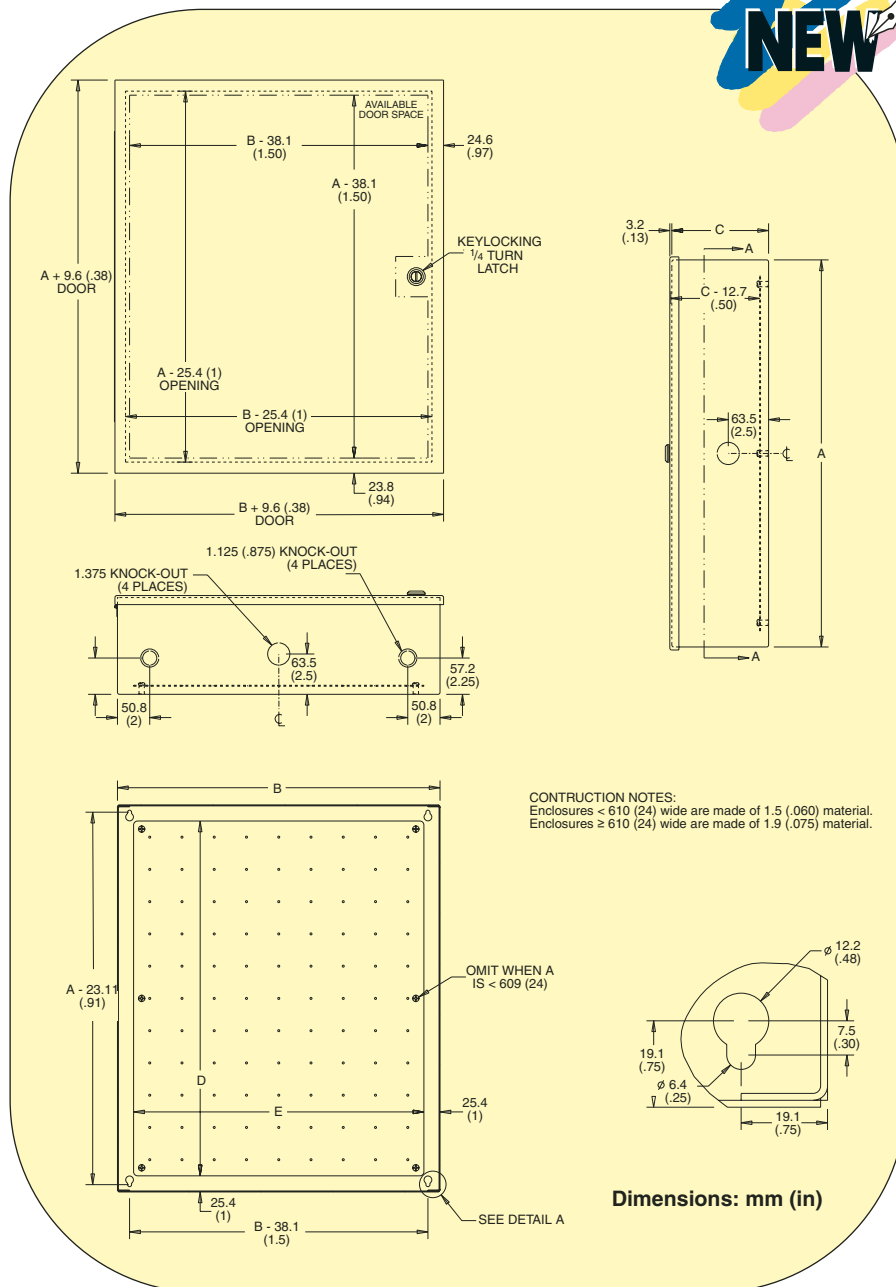
Designed to house electrical controls, instruments and components in areas that do not require oil, water and dust tight protection.

### Finish

Optional precaution blue texture, safety orange or taupe tan textured power coat finish inside and out over phosphatized surface. Panels are powder coated to match the enclosure.

### Industry Standards

- NEMA Type 1
- UL Listed Type 1
- CSA Type 1
- IEC 60529 IP 30



To Order (Specify Model Number)					IN STOCK FOR FAST DELIVERY!		
TYPE 1 ENCLOSURES WITH KNOCKOUTS							
ENCLOSURES (in)					SUB-PANEL (in)		
MODEL NO.	PRICE	HEIGHT (A)	WIDTH (B)	DEPTH (C)	PRICE	HEIGHT (D)	WIDTH (E)
SCE-18N1606NK-T	\$128	18.00	16.00	6.00	Included	16.00	14.00
SCE-18N1606NK-B	128	18.00	16.00	6.00	Included	16.00	14.00
SCE-18N1606NK-O	128	18.00	16.00	6.00	Included	16.00	14.00
SCE-24N2006NK-T	152	24.00	20.00	6.00	Included	22.00	18.00
SCE-24N2006NK-B	152	24.00	20.00	6.00	Included	22.00	18.00
SCE-24N2006NK-O	152	24.00	20.00	6.00	Included	22.00	18.00
SCE-36N2406NK-T	234	36.00	24.00	6.00	Included	34.00	22.00
SCE-36N2406NK-B	234	36.00	24.00	6.00	Included	34.00	22.00
SCE-36N2406NK-O	234	36.00	24.00	6.00	Included	34.00	22.00

Note: Model numbers ending in the letter: (B) are precaution blue textured; (O) are safety orange textured; (T) are taupe tan textured. Ordering Example: SCE-18N1606NK-T Type 1 enclosures with knockout, \$128.



#### UNITED STATES

[www.omega.com](http://www.omega.com)  
1-800-TC-OMEGA  
Stamford, CT.

#### CANADA

[www.omega.ca](http://www.omega.ca)  
Laval(Quebec)  
1-800-TC-OMEGA

#### GERMANY

[www.omega.de](http://www.omega.de)  
Deckenpfronn, Germany  
0800-8266342

#### UNITED KINGDOM

[www.omega.co.uk](http://www.omega.co.uk)  
Manchester, England  
0800-488-488

#### FRANCE

[www.omega.fr](http://www.omega.fr)  
Guyancourt, France  
088-466-342

#### CZECH REPUBLIC

[www.omegaeng.cz](http://www.omegaeng.cz)  
Karviná, Czech Republic  
596-311-899

#### BENELUX

[www.omega.nl](http://www.omega.nl)  
Amstelveen, NL  
0800-099-33-44



## More than 100,000 Products Available!

### • Temperature

Calibrators, Connectors, General Test and Measurement Instruments, Glass Bulb Thermometers, Handheld Instruments for Temperature Measurement, Ice Point References, Indicating Labels, Crayons, Cements and Lacquers, Infrared Temperature Measurement Instruments, Recorders Relative Humidity Measurement Instruments, RTD Probes, Elements and Assemblies, Temperature & Process Meters, Timers and Counters, Temperature and Process Controllers and Power Switching Devices, Thermistor Elements, Probes and Assemblies, Thermocouples Thermowells and Head and Well Assemblies, Transmitters, Wire

### • Flow and Level

Air Velocity Indicators, Doppler Flowmeters, Level Measurement, Magnetic Flowmeters, Mass Flowmeters, Pitot Tubes, Pumps, Rotameters, Turbine and Paddle Wheel Flowmeters, Ultrasonic Flowmeters, Valves, Variable Area Flowmeters, Vortex Shedding Flowmeters

### • pH and Conductivity

Conductivity Instrumentation, Dissolved Oxygen Instrumentation, Environmental Instrumentation, pH Electrodes and Instruments, Water and Soil Analysis Instrumentation

### • Data Acquisition

Auto-Dialers and Alarm Monitoring Systems, Communication Products and Converters, Data Acquisition and Analysis Software, Data Loggers Plug-in Cards, Signal Conditioners, USB, RS232, RS485 and Parallel Port Data Acquisition Systems, Wireless Transmitters and Receivers

### • Pressure, Strain and Force

Displacement Transducers, Dynamic Measurement Force Sensors, Instrumentation for Pressure and Strain Measurements, Load Cells, Pressure Gauges, Pressure Reference Section, Pressure Switches, Pressure Transducers, Proximity Transducers, Regulators, Strain Gages, Torque Transducers, Valves

### • Heaters

Band Heaters, Cartridge Heaters, Circulation Heaters, Comfort Heaters, Controllers, Meters and Switching Devices, Flexible Heaters, General Test and Measurement Instruments, Heater Hook-up Wire, Heating Cable Systems, Immersion Heaters, Process Air and Duct, Heaters, Radiant Heaters, Strip Heaters, Tubular Heaters