



NEMA TYPE 12 SCREW COVER ENCLOSURES

Starts at
\$38⁵⁰



- 0.075" Carbon Steel
- Seams Continuously Welded and Ground Smooth, No Holes or Knockouts
- Captivated Cover Screws Thread Into Sealed Wells
- Oil Resistant Gasket
- Standoffs Provided for Mounting Optional Panels

Application

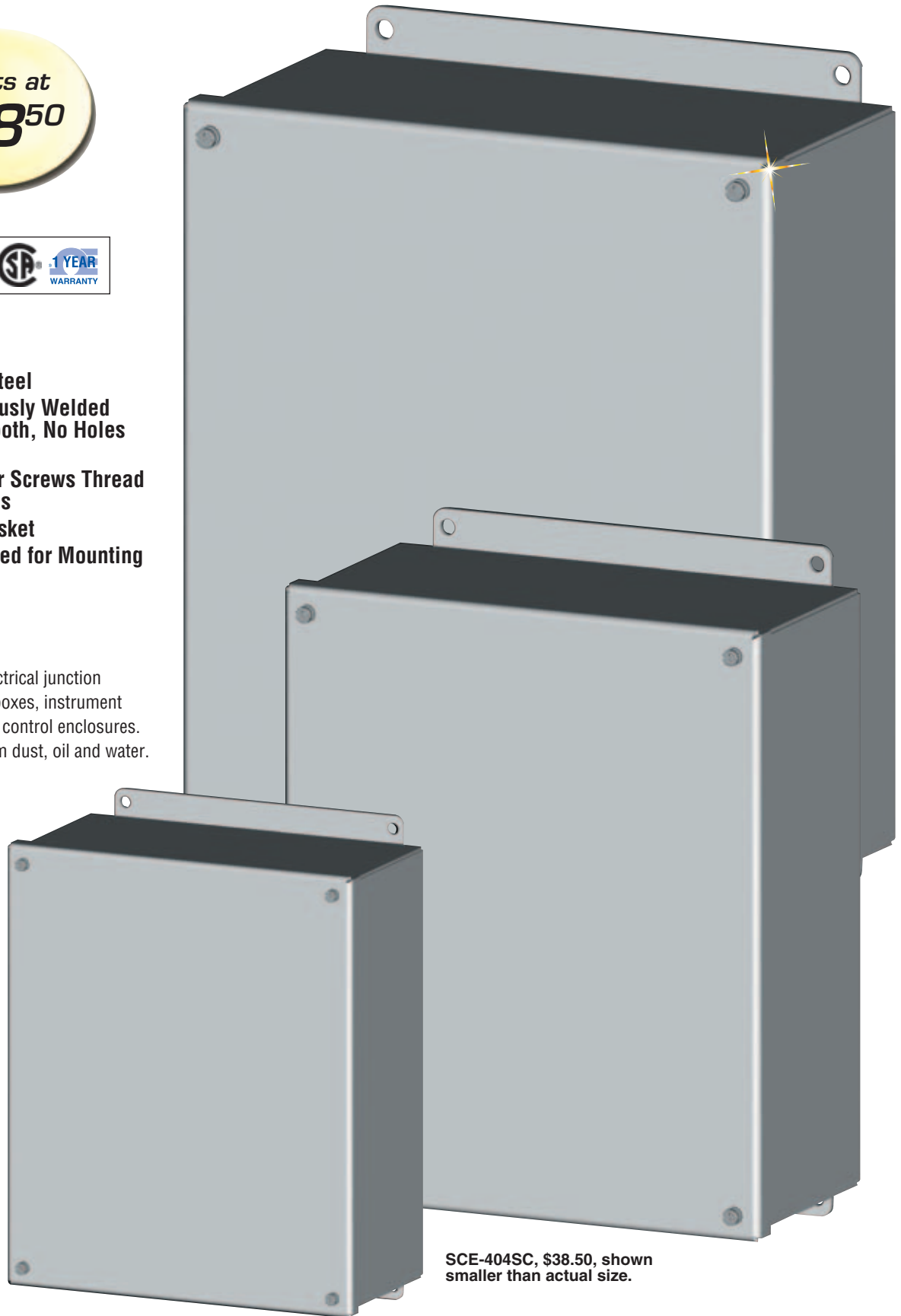
Designed for use as electrical junction boxes, terminal wiring boxes, instrument housings, and electrical control enclosures. Provides protection from dust, oil and water.

Finish

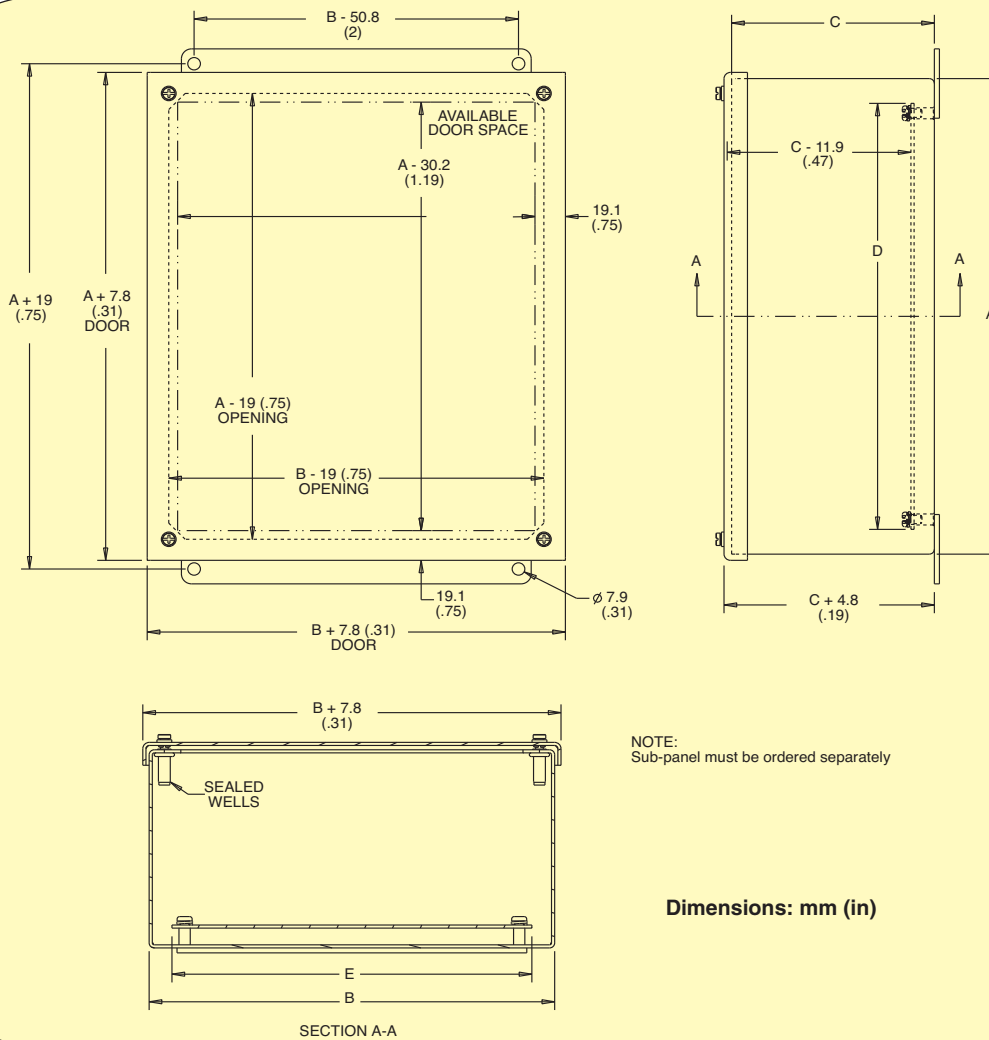
ANSI-61 gray powder coating inside and out over phosphatized surfaces. Optional panels are powder coated white.

Industry Standards

NEMA Type 12 & Type 13;
UL Listed Type 12;
CSA Type 12;
IEC 60529 IP 55



SCE-404SC, \$38.50, shown smaller than actual size.



NOTE:
Sub-panel must be ordered separately

Dimensions: mm (in)

To Order (Specify Model Number)

MOST POPULAR MODELS HIGHLIGHTED!

TYPE 12 SCREW COVER ENCLOSURES								
ENCLOSURES (in)					SUB-PANEL (in)			
MODEL NO.	PRICE	HEIGHT (A)	WIDTH (B)	DEPTH (C)	MODEL NO.	PRICE	HEIGHT (D)	WIDTH (E)
SCE-404SC	\$38.50	4.00	4.00	3.00	No Panel	—	—	—
SCE-4044SC	38.50	4.00	4.00	4.00	No Panel	—	—	—
SCE-604SC	43.50	6.00	4.00	3.00	SCE-6P4	\$3.10	4.88	2.88
SCE-6044SC	48.50	6.00	4.00	4.00	SCE-6P4	3.10	4.88	2.88
SCE-606SC	51.00	6.00	6.00	4.00	SCE-6P6	3.80	4.88	4.88
SCE-806SC	54.00	8.00	6.00	3.50	SCE-8P6	4.30	6.75	4.88
SCE-8066SC	61.00	8.00	6.00	6.00	SCE-8P6	4.30	6.75	4.88
SCE-808SC	61.00	8.00	8.00	4.00	SCE-8P8	5.10	6.75	6.88
SCE-1008SC	67.00	10.00	8.00	4.00	SCE-10P8	5.90	8.75	6.88
SCE-10086SC	75.00	10.00	8.00	6.00	SCE-10P8	5.90	8.75	6.88
SCE-1010SC	74.00	10.00	10.00	4.00	SCE-10P10	7.00	8.75	8.88
SCE-10106SC	83.00	10.00	10.00	6.00	SCE-10P10	7.00	8.75	8.88
SCE-1210SC	84.00	12.00	10.00	5.00	SCE-12P10	8.00	10.75	8.88
SCE-121010SC	128.00	12.00	10.00	10.00	SCE-12P10	8.00	10.75	8.88
SCE-1212SC	99.00	12.00	12.00	6.00	SCE-12P12	9.40	10.75	10.88
SCE-1412SC	107.00	14.00	12.00	6.00	SCE-14P12	10.50	12.75	10.88
SCE-1614SC	125.00	16.00	14.00	6.00	SCE-16P14	20.75	14.75	12.88

Ordering Example: SCE-404SC, Type 12, screw cover enclosure, \$38.50.
SCE-1008SC, Type 12, screw cover enclosure with SCE-10P8, sub-panel, \$67 + 5.90 = \$72.90.

omega.co.uk[®]

Your One-Stop Source for Process Measurement and Control!

Freephone 0800 488 488 | International +44(0) 161 777 6622 | Fax +44(0) 161 777 6622 | Sales@omega.co.uk

www.omega.co.uk



UNITED STATES

www.omega.com

1-800-TC-OMEGA
Stamford, CT.

UNITED KINGDOM

www.omega.co.uk

Manchester, England
0800-488-488
+44-(0)161-777-6611

CANADA

www.omega.ca

Laval(Quebec)
1-800-TC-OMEGA

FRANCE

www.omega.fr

0800-466-342

GERMANY

www.omega.de

Deckenfronn, Germany
0800-8266342

BENELUX

www.omega.nl

0800-099-33-44



More than 100,000 Products Available!

• Temperature

Calibrators, Connectors, General Test and Measurement Instruments, Handheld Instruments for Temperature Measurement, Ice Point References, Indicating Labels, Crayons, Cements and Lacquers, Infrared Temperature Measurement Instruments, Recorders, Relative Humidity Measurement Instruments, PT100 Probes, PT100 Elements, Temperature & Process Meters, Timers and Counters, Temperature and Process Controllers and Power Switching Devices, Thermistor Elements, Probes and Assemblies, Thermocouples, Thermowells and Head and Well Assemblies, Transmitters, Thermocouple Wire, RTD Probes

• Flow and Level

Air Velocity Indicators, Doppler Flowmeters, Level Measurement, Magnetic Flowmeters, Mass Flowmeters, Pitot Tubes, Pumps, Rotameters, Turbine and Paddle Wheel Flowmeters, Ultrasonic Flowmeters, Valves, Variable Area Flowmeters, Vortex Shedding Flowmeters

• pH and Conductivity

Conductivity Instrumentation, Dissolved Oxygen Instrumentation, Environmental Instrumentation, pH Electrodes and Instruments, Water and Soil Analysis Instrumentation

• Data Acquisition

Communication Products and Converters, Data Acquisition and Analysis Software, Data Loggers Plug-in Cards, Signal Conditioners, USB, RS232, RS485, Ethernet and Parallel Port Data Acquisition Systems, Wireless Transmitters and Receivers

• Pressure, Strain and Force

Displacement Transducers, Dynamic Measurement Force Sensors, Instrumentation for Pressure and Strain Measurements, Load Cells, Pressure Gauges, Pressure Reference Section, Pressure Switches, Pressure Transducers, Proximity Transducers, Regulators, Pressure Transmitters, Strain Gauges, Torque Transducers, Valves

• Heaters

Band Heaters, Cartridge Heaters, Circulation Heaters, Comfort Heaters, Controllers, Meters and Switching Devices, Flexible Heaters, General Test and Measurement Instruments, Heater Hook-up Wire, Heating Cable Systems, Immersion Heaters, Process Air and Duct, Heaters, Radiant Heaters, Strip Heaters, Tubular Heaters