

# ENCLOSURE LEG KITS



**SCE-FK Series**  
Starts at  
**\$128**

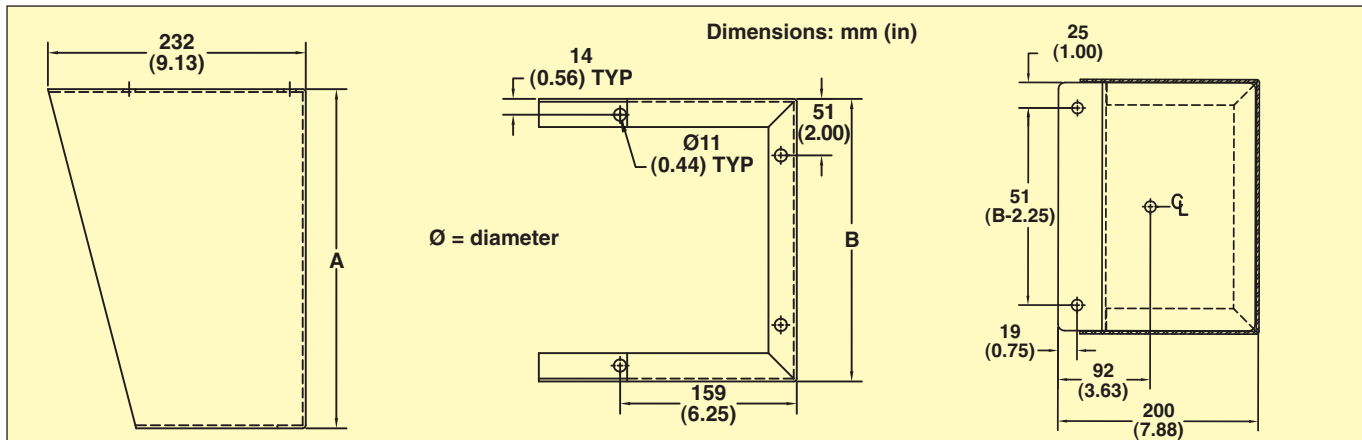


- Use with Free Standing or Wall Mount Enclosures
- 6, 12, 15, 18 and 24" Heights
- Gray Powder Coat Steel or 304, 316 Stainless Steel
- For Enclosures 20" or Wider, and 8" or Deeper

SCE-FK0608, \$128, shown smaller than actual size.

Leg kits can be installed on most wall mounted enclosures with a width of 20" or more. They can also be installed on SCE free standing enclosures. Kits include two stands made from carbon steel and finished with ANSI-61 high solids re-coatable ANSI-61

gray powder coat. Stainless Steel parts are made from Stainless Steel Type 304 with #4 brushed finish. The "SS6" models are made from 316 Stainless Steel with a #4 brushed finish.



## To Order (Specify Model Number)

## MOST POPULAR MODELS HIGHLIGHTED!

Model No.	Price	(A) Height mm (in)	(B) Depth mm (in)	Metal	Model No.	Price	(A) Height mm (in)	(B) Depth mm (in)	Metal
SCE-FK0608	\$128	152 (6)	203 (8)	Gray Steel	SCE-FK1208SS	\$434	305 (12)	203 (8)	304 SS
SCE-FK0610	135	152 (6)	254 (10)	Gray Steel	SCE-FK1210SS	468	305 (12)	254 (10)	304 SS
SCE-FK0612	150	152 (6)	305 (12)	Gray Steel	SCE-FK1212SS	499	305 (12)	305 (12)	304 SS
SCE-FK0624	175	152 (6)	7 (24)	Gray Steel	SCE-FK1216SS	567	305(12)	406 (16)	304 SS
SCE-FK1208	205	305 (12)	203 (8)	Gray Steel	SCE-FK1218SS	598	305 (12)	457 (18)	304 SS
SCE-FK1210	160	305 (12)	254 (10)	Gray Steel	SCE-FK1224SS	596	305 (12)	7 (24)	304 SS
SCE-FK1212	168	305 (12)	305 (12)	Gray Steel	SCE-FK1512SS	615	381(15)	305 (12)	304 SS
SCE-FK1216	176	305 (12)	406 (16)	Gray Steel	SCE-FK1518SS	667	381 (15)	457 (18)	304 SS
SCE-FK1218	205	305 (12)	457 (18)	Gray Steel	SCE-FK1524SS	705	381 (15)	7 (24)	304 SS
SCE-FK1220	215	305 (12)	508 (20)	Gray Steel	SCE-FK2410SS	665	7 (24)	254 (10)	304 SS
SCE-FK1224	225	305 (12)	7 (24)	Gray Steel	SCE-FK1212SS6	598	305 (12)	305 (12)	316 SS
SCE-FK1512	230	381 (15)	305 (12)	Gray Steel	SCE-FK1218SS6	717	305 (12)	457 (18)	316 SS
SCE-FK1516	205	381 (15)	406 (16)	Gray Steel	SCE-FK1224SS6	722	305 (12)	7 (24)	316 SS
SCE-FK1518	215	381 (15)	457 (18)	Gray Steel	SCE-FK1512SS6	735	381 (15)	305 (12)	316 SS
SCE-FK1524	215	381 (15)	7 (24)	Gray Steel	SCE-FK1518SS6	800	381 (15)	457 (18)	316 SS
SCE-FK1808	250	457 (18)	203 (8)	Gray Steel	SCE-FK1524SS6	845	381 (15)	7 (24)	316 SS
SCE-FK1810	195	457 (18)	254 (10)	Gray Steel					
SCE-FK1812	205	457 (18)	305 (12)	Gray Steel					
SCE-FK1816	215	457 (18)	406 (16)	Gray Steel					
SCE-FK1824	235	457 (18)	7 (24)	Gray Steel					
SCE-FK2412	298	7 (24)	305 (12)	Gray Steel					

**Ordering Examples:** SCE-FK1208, leg kit for enclosure with 305 mm (12") height, gray powder coated steel, \$205.  
SCE-FK1212SS, leg kit for enclosure with 305 mm (12") height, made of 304 stainless steel, \$499.

# omega.co.uk<sup>®</sup>

Your One-Stop Source for Process Measurement and Control!

Freephone 0800 488 488 | International +44(0) 161 777 6622 | Fax +44(0) 161 777 6622 | Sales@omega.co.uk

[www.omega.co.uk](http://www.omega.co.uk)



#### UNITED STATES

[www.omega.com](http://www.omega.com)

1-800-TC-OMEGA  
Stamford, CT.

#### UNITED KINGDOM

[www.omega.co.uk](http://www.omega.co.uk)

Manchester, England  
0800-488-488  
+44-(0)161-777-6611

#### CANADA

[www.omega.ca](http://www.omega.ca)

Laval(Quebec)  
1-800-TC-OMEGA

#### FRANCE

[www.omega.fr](http://www.omega.fr)

0800-466-342

#### GERMANY

[www.omega.de](http://www.omega.de)

Deckenfronn, Germany  
0800-8266342

#### BENELUX

[www.omega.nl](http://www.omega.nl)

0800-099-33-44



## More than 100,000 Products Available!

### • Temperature

Calibrators, Connectors, General Test and Measurement Instruments, Handheld Instruments for Temperature Measurement, Ice Point References, Indicating Labels, Crayons, Cements and Lacquers, Infrared Temperature Measurement Instruments, Recorders, Relative Humidity Measurement Instruments, PT100 Probes, PT100 Elements, Temperature & Process Meters, Timers and Counters, Temperature and Process Controllers and Power Switching Devices, Thermistor Elements, Probes and Assemblies, Thermocouples, Thermowells and Head and Well Assemblies, Transmitters, Thermocouple Wire, RTD Probes

### • Flow and Level

Air Velocity Indicators, Doppler Flowmeters, Level Measurement, Magnetic Flowmeters, Mass Flowmeters, Pitot Tubes, Pumps, Rotameters, Turbine and Paddle Wheel Flowmeters, Ultrasonic Flowmeters, Valves, Variable Area Flowmeters, Vortex Shedding Flowmeters

### • pH and Conductivity

Conductivity Instrumentation, Dissolved Oxygen Instrumentation, Environmental Instrumentation, pH Electrodes and Instruments, Water and Soil Analysis Instrumentation

### • Data Acquisition

Communication Products and Converters, Data Acquisition and Analysis Software, Data Loggers Plug-in Cards, Signal Conditioners, USB, RS232, RS485, Ethernet and Parallel Port Data Acquisition Systems, Wireless Transmitters and Receivers

### • Pressure, Strain and Force

Displacement Transducers, Dynamic Measurement Force Sensors, Instrumentation for Pressure and Strain Measurements, Load Cells, Pressure Gauges, Pressure Reference Section, Pressure Switches, Pressure Transducers, Proximity Transducers, Regulators, Pressure Transmitters, Strain Gauges, Torque Transducers, Valves

### • Heaters

Band Heaters, Cartridge Heaters, Circulation Heaters, Comfort Heaters, Controllers, Meters and Switching Devices, Flexible Heaters, General Test and Measurement Instruments, Heater Hook-up Wire, Heating Cable Systems, Immersion Heaters, Process Air and Duct, Heaters, Radiant Heaters, Strip Heaters, Tubular Heaters