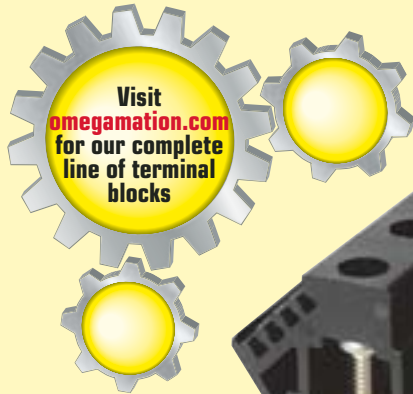
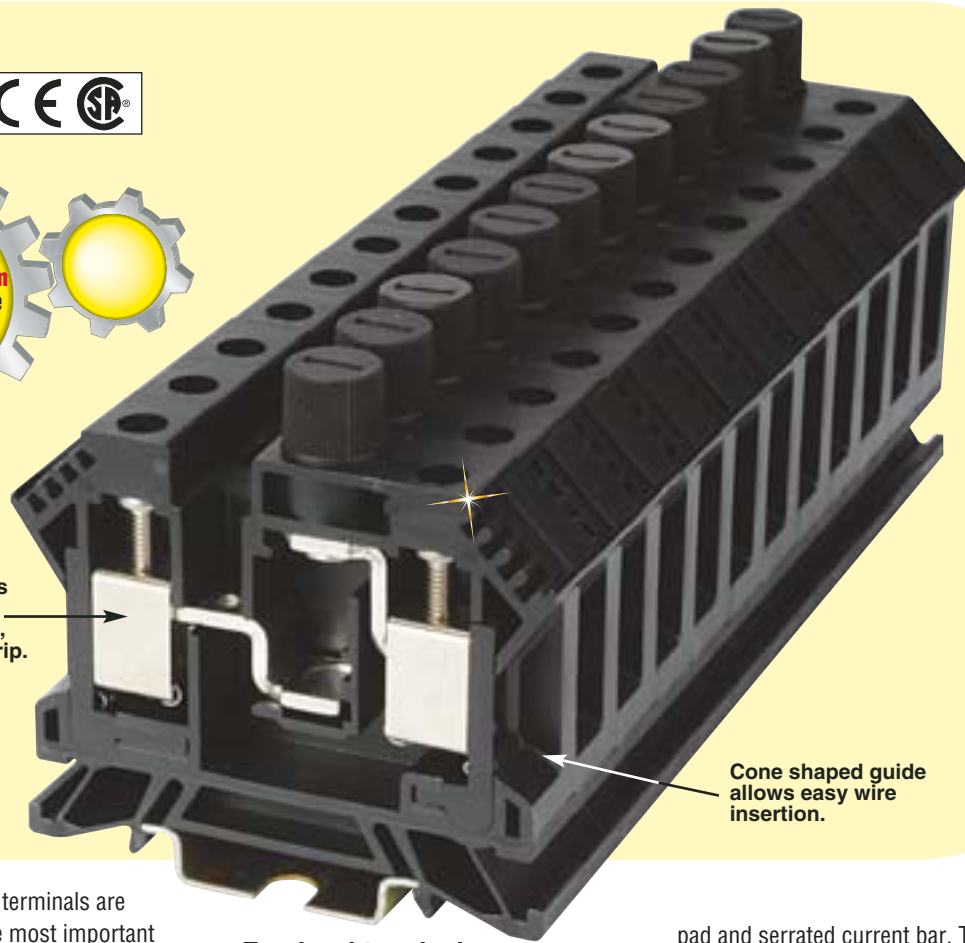


# INTRODUCTION TO DIN RAIL TERMINAL BLOCKS



Visit  
[omegamation.com](http://omegamation.com)  
for our complete  
line of terminal  
blocks

Stainless steel screws  
and serrated current  
bars provide a strong,  
corrosion-resistant grip.



Cone shaped guide  
allows easy wire  
insertion.

Omega's new OMTBV7-W terminals are designed to meet the three most important criteria when selecting a terminal block line – ease of wiring, secure connections and durability. The line is also comprehensive, offering a wide array of terminal types for most circuits and functions, from control to low level power.

## The Size You Need

OMTBV7-W feed-through terminals come in ten sizes and are rated to 600VAC (800V-IEC). They accommodate a full range of wire sizes from 30AWG to 3/0 AWG (0.5mm<sup>2</sup> to 70mm<sup>2</sup> wire cross section). Many “specialty” feed-through terminals are also available that provide multiple terminations or increase the density of connections. This reduces panel space and saves money.

## Comprehensive Selection of Special Terminals

Aside from the broad selection of standard feed-through terminals, many special terminals are also part of the new OMTBV7-W line, including:

- Two level terminals
- High Current terminals
- Ground terminals
- Dual connection terminals
- Diode and resistor terminals
- Plug-in style terminals
- Various isolating terminals
- Fuse terminals
- Sensor terminals
- Thermocouple terminals
- Proximity switch terminals

Even the most varied circuit requirements can be supported by the broad selection offered with this line.

## Super Reliable Connections

The most important aspect of a terminal block is to join wires in a reliable connection. With OMTBV7-W terminals, a cone shaped guide allows easy insertion of the wire into a nickel plated barrel. As tightening torque is applied to strong stainless steel screws, the wire is secured between a recessed contact

pad and serrated current bar. This corrosion-resistant clamping mechanism provides excellent performance in the most demanding industrial conditions.

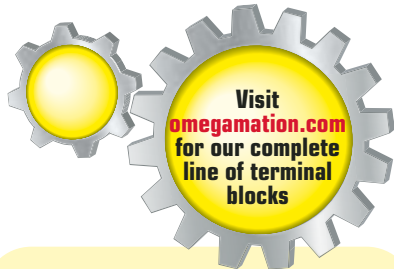
## Superior Insulation and Protection Features

All metal parts are recessed, providing a touch-safe, dead front design for optimum safety. Terminal bodies are manufactured from Polyamide 6.6, known for its excellent thermal stability, impact resistance and resistance to electrical creepage. The insulating cases are rated up to 90°C (195°) for continuous operation. They also stay elastic down to -40°C (-40°F) without fracturing.

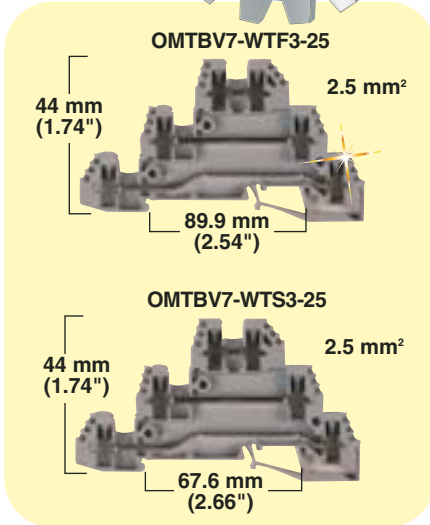
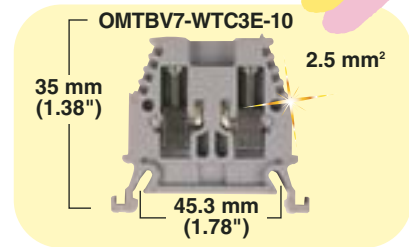
## International Approvals

Omega's new OMTBV7-W terminal block line is UL recognized and CSA Certified. Many terminals have also been certified for use in hazardous locations. The line also carries the CE Mark for use in most international markets.

# DIN RAIL TERMINAL BLOCKS



- Thermocouple and Sensor Terminal Blocks
- Type J, K, T, E Terminal Blocks
- Easy-to-Use Sensor Terminal Blocks
- Reliable Connections



## Standard Thermocouple Blocks

### To Order (Specify Model Number)

### MOST POPULAR MODELS LISTED!

BAR MATERIAL	MODEL NO.	PRICE PKG OF 10
Chrome/Constantan - Type E	OMTBV7-WTC3E-10	\$105.50
Iron/Constantan - Type J	OMTBV7-WTC3J-10	105.50
Chromel/Alumel - Type K	OMTBV7-WTC3K-10	105.50
Copper/Constantan - Type T	OMTBV7-WTC3T-10	105.50
ACCESSORIES		
End Barrier (pkg of 50)	OMTBV7-EB3-50	\$26.00
End Anchors-50 (pkg of 50) -10 (pkg of 10)		
DIN Rail—Normal Duty	OMTBV7-EA35-50	18.00
DIN Rail—Heavy Duty	OMTBV7-EAH35-10	19.60
SPECIFICATIONS		
Wire Range (Rated Cross Section)	0.2 to 2.5 mm (#28 to #14 AWG)	
Wire Strip Length	10 mm (0.35")	
Recommended Tightening Torque	0.6 Nm (5.0 to 5.6 lb-in.)	
Density	100/m (30 pcs./ft)	
Insulation Temperature Range	-40 to 90°C (-40 to 195°F)	

## Standard Sensor Blocks

### To Order (Specify Model Number)

TERMINAL	MODEL NO.	PRICE	MODEL NO.	PRICE		
Gray Pkg of 25	OMTBV7-WTF3-25	\$74.25	OMTBV7-WTS3-25	\$70.25		
ACCESSORIES						
End Barrier Pkg of 25	OMTBV7-EBTF3-25	\$14.75	OMTBV7-EBTS3-25	\$14.75		
End Anchors -50 (pkg of 50) -10 (pkg of 10)						
DIN Rail — Normal Duty	OMTBV7-EA35-50	26.00	OMTBV7-EA35-50	26.00		
DIN Rail — Heavy Duty	OMTBV7-EAH35-10	19.60	OMTBV7-EAH35-10	19.60		
JUMPERS (PKG OF 5 OR 10)						
Side Jumper – 10-pole Insulated	OMTBV7-SJT5-20-R-10	\$31.50	OMTBV7-SJT5-20-R-10	\$31.50		
Center Jumper – 50-pole	OMTBV7-CJT5-50-5	63.00	OMTBV7-CJT5-50-5	63.00		
Center Jumper – 10-pole	OMTBV7-CJT5-10-10	30.20	OMTBV7-CJT5-10-10	30.20		
Center Jumper Link	OMTBV7-CJL5-10	4.10	OMTBV7-CJL5-10	4.10		
SPECIFICATIONS						
Approvals						
Voltage Rating (AC/DC)	300V	300V	500V	300V	300V	500V
Maximum Current	10 A	10 A	24 A	10 A	10 A	24 A
Wire Range (Rated Cross Section)	#26 to #14 AWG	26 to #14 AWG	0.5 to 2.5 mm <sup>2</sup>	#26 to #14 AWG	#26 to #14 AWG	0.5 to 2.5 mm <sup>2</sup>
Wire Strip Length	8 mm (0.31")			8 mm (0.31")		
Recommended Tightening Torque	0.5 Nm (4.2 to 4.6 lb-in.)			0.5 Nm (4.2 to 4.6 lb-in.)		
Density	197/m (60 pcs./ft)			197/m (60 pcs./ft)		
Insulation Temperature Range	-40 to 90°C (-40 to 195°F)			-40 to 90°C (-40 to 195°F)		

Comes with instruction sheet.

Ordering Example: OMTBV7-WTC3K-10, K thermocouple terminal blocks, OMTBV7-EB3-50, end barriers, and OMTBV7-EAH35-10, end anchors, \$105.50 + 26.00 + 19.60 = \$151.10.



#### UNITED STATES

[www.omega.com](http://www.omega.com)  
1-800-TC-OMEGA  
Stamford, CT.

#### CANADA

[www.omega.ca](http://www.omega.ca)  
Laval(Quebec)  
1-800-TC-OMEGA

#### GERMANY

[www.omega.de](http://www.omega.de)  
Deckenpfronn, Germany  
0800-8266342

#### UNITED KINGDOM

[www.omega.co.uk](http://www.omega.co.uk)  
Manchester, England  
0800-488-488

#### FRANCE

[www.omega.fr](http://www.omega.fr)  
Guyancourt, France  
088-466-342

#### CZECH REPUBLIC

[www.omegaeng.cz](http://www.omegaeng.cz)  
Karviná, Czech Republic  
596-311-899

#### BENELUX

[www.omega.nl](http://www.omega.nl)  
Amstelveen, NL  
0800-099-33-44



## More than 100,000 Products Available!

### • Temperature

Calibrators, Connectors, General Test and Measurement Instruments, Glass Bulb Thermometers, Handheld Instruments for Temperature Measurement, Ice Point References, Indicating Labels, Crayons, Cements and Lacquers, Infrared Temperature Measurement Instruments, Recorders Relative Humidity Measurement Instruments, RTD Probes, Elements and Assemblies, Temperature & Process Meters, Timers and Counters, Temperature and Process Controllers and Power Switching Devices, Thermistor Elements, Probes and Assemblies, Thermocouples Thermowells and Head and Well Assemblies, Transmitters, Wire

### • Flow and Level

Air Velocity Indicators, Doppler Flowmeters, Level Measurement, Magnetic Flowmeters, Mass Flowmeters, Pitot Tubes, Pumps, Rotameters, Turbine and Paddle Wheel Flowmeters, Ultrasonic Flowmeters, Valves, Variable Area Flowmeters, Vortex Shedding Flowmeters

### • pH and Conductivity

Conductivity Instrumentation, Dissolved Oxygen Instrumentation, Environmental Instrumentation, pH Electrodes and Instruments, Water and Soil Analysis Instrumentation

### • Data Acquisition

Auto-Dialers and Alarm Monitoring Systems, Communication Products and Converters, Data Acquisition and Analysis Software, Data Loggers Plug-in Cards, Signal Conditioners, USB, RS232, RS485 and Parallel Port Data Acquisition Systems, Wireless Transmitters and Receivers

### • Pressure, Strain and Force

Displacement Transducers, Dynamic Measurement Force Sensors, Instrumentation for Pressure and Strain Measurements, Load Cells, Pressure Gauges, Pressure Reference Section, Pressure Switches, Pressure Transducers, Proximity Transducers, Regulators, Strain Gages, Torque Transducers, Valves

### • Heaters

Band Heaters, Cartridge Heaters, Circulation Heaters, Comfort Heaters, Controllers, Meters and Switching Devices, Flexible Heaters, General Test and Measurement Instruments, Heater Hook-up Wire, Heating Cable Systems, Immersion Heaters, Process Air and Duct, Heaters, Radiant Heaters, Strip Heaters, Tubular Heaters