

# GENERAL PURPOSE AC MOTORS INDUSTRIAL DUTY THREE-PHASE



Wide Range  
of Motors  
Sizes!

*OME Series  
Starts at  
£78*



- Cast Iron "T" Frame Motors:  
1 to 5 HP
- 3600, 1800, and 900 RPM
- Class F Insulation
- Inverter-Duty Capable
- Variable Torque:  
5:1 Speed Turndown
- Constant Torque:  
2:1 Speed Turndown

Omegamation™ general purpose AC motors are made by one of the leading motor manufacturers for over 45 years, a world-class accredited supplier with a long history of quality testing procedures and standards performed by the finest independent testing laboratories in the world. Our motors are

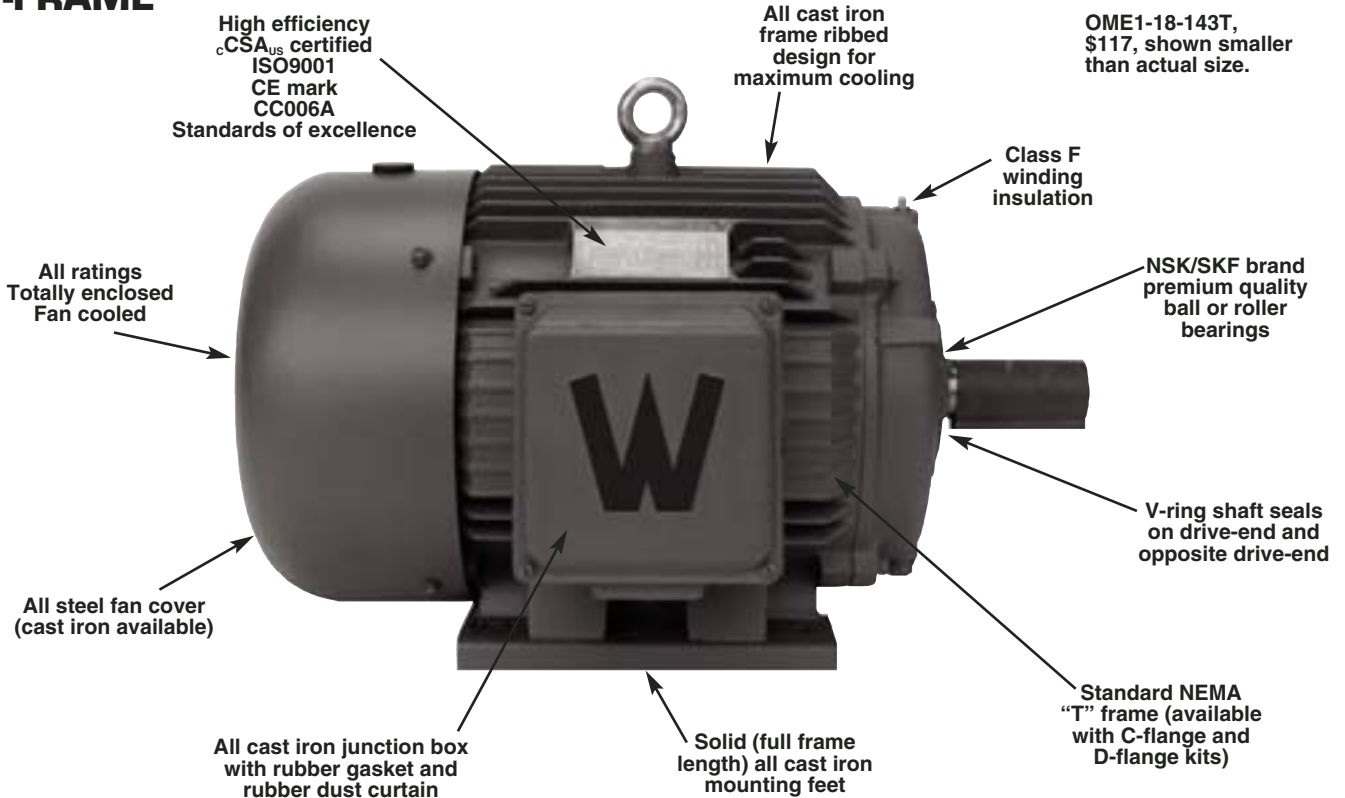


OME1-18-143T,  
£78, shown  
smaller than  
actual size.

made in high quality ISO9001-certified facilities using only the highest quality material and manufacturing processes.

All motors are electrically tested in sub-assembly production and again after final assembly, and come with a 2-year warranty.

## INDUSTRIAL DUTY THREE-PHASE MOTORS T-FRAME

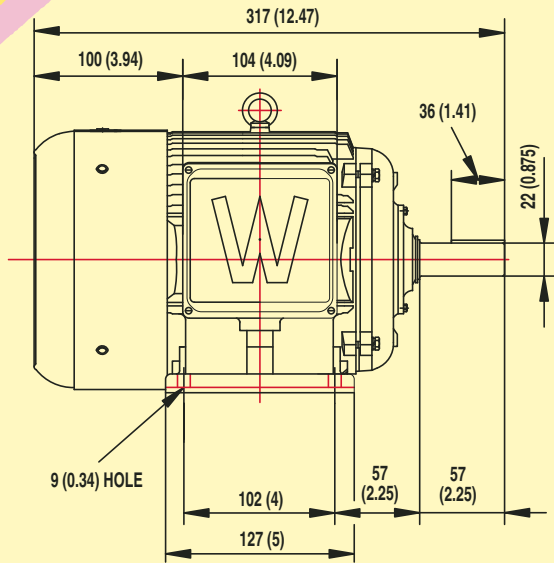


OME1-18-143T,  
\$117, shown smaller  
than actual size.

D-43q

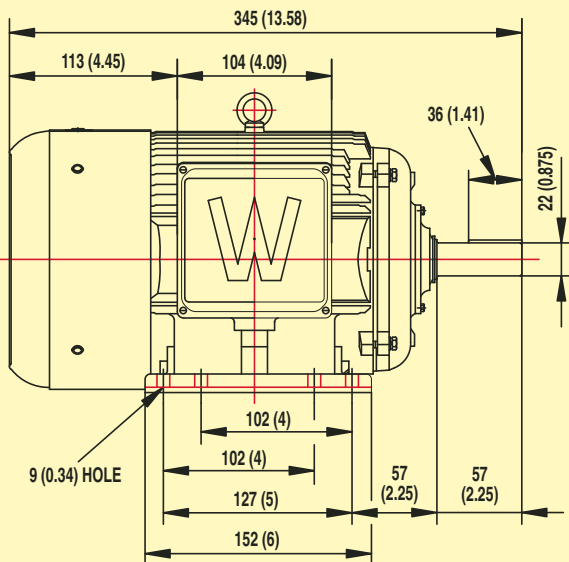
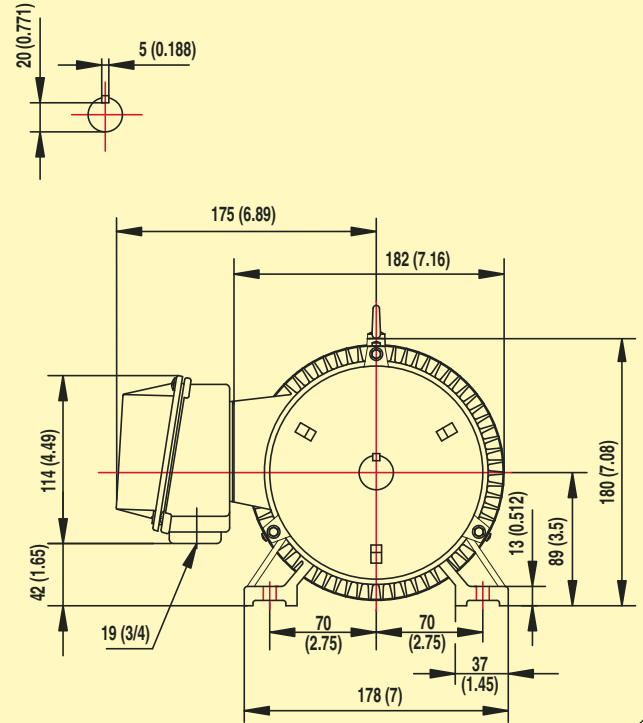


# T-FRAME



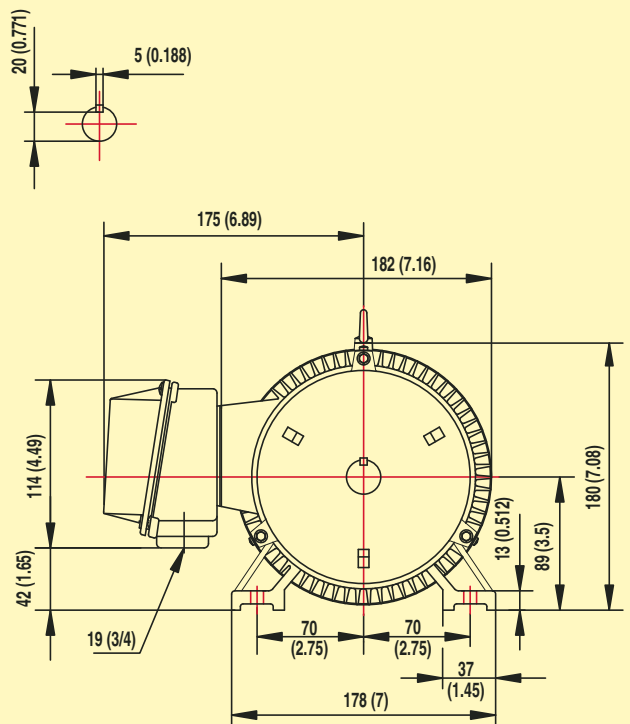
Dimensions: mm (in)

### NEMA Frame 143T

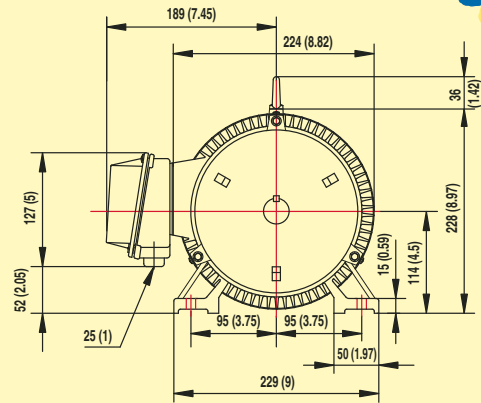
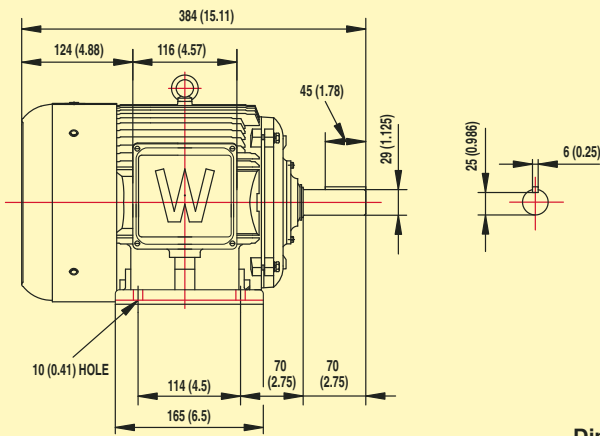


Dimensions: mm (in)

### NEMA Frame 145T

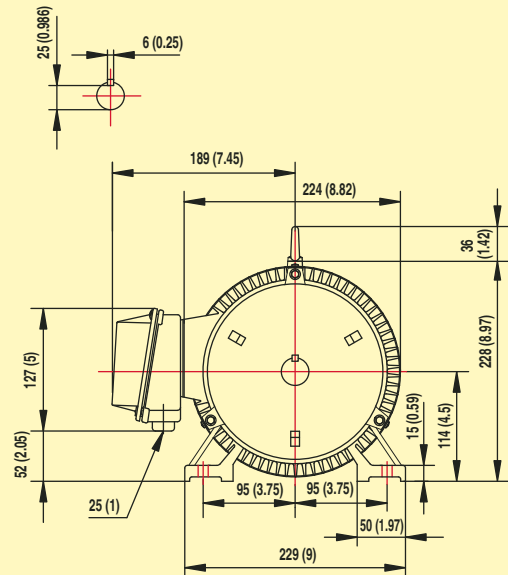
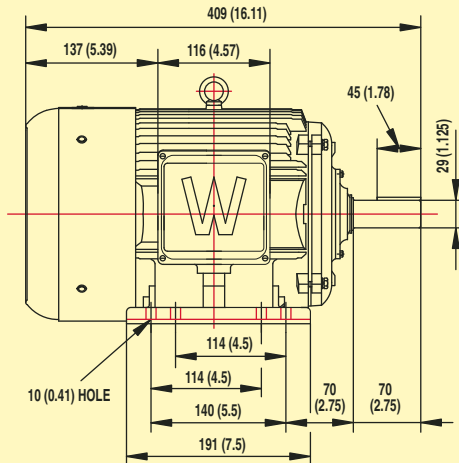


**NEMA Frame 182T**



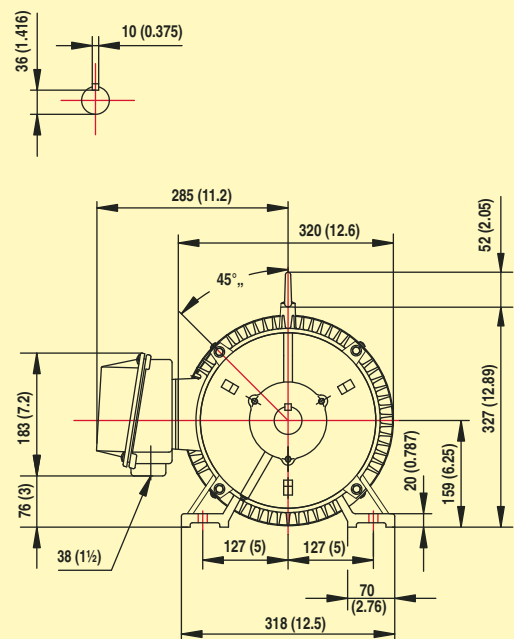
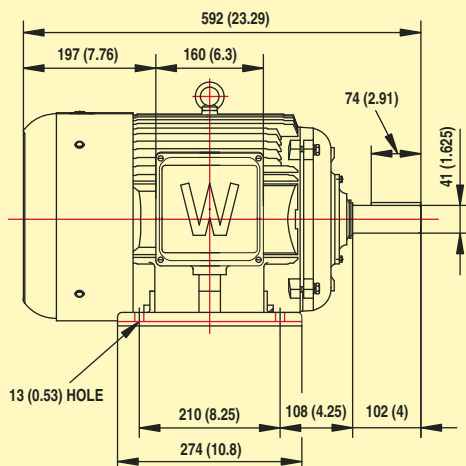
**Dimensions: mm (in)**

**NEMA Frame 184T**



**Dimensions: mm (in)**

**NEMA Frame 254T**



**Dimensions: mm (in)**

## “T” FRAME MOTORS SPECIFICATIONS

	OME1-18-143T	OME1.5-36-143T	OME1.5-18-145T	OME2-36-145T
HP	1	1.5	1.5	2
RPM/POLES	1800/4	3600/2	1800/4	3600/2
VOLTAGE/PHASE	208 to 230/460V 3	208 to 230/460V 3	208 to 230/460V 3	208 to 230/460V 3
FRAME	143T	143T	145T	145T
FREQUENCY	60 HZ	60 HZ	60 HZ	60 HZ
RATED SPEED	1760 RPM	3480 RPM	1755 RPM	3480 RPM
FULL LOAD AMPS	3.0/1.5 A	3.8/1.9 A	4.2/2.1 A	5.0/2.5 A
DUTY CYCLE	Continuous	Continuous	Continuous	Continuous
SERVICE FACTOR	1.15	1.15	1.15	1.15
AMBIENT TEMP	40°C	40°C	40°C	40°C
ALTITUDE	3300'	3300'	3300'	3300'
INSULATION CLASS	F	F	F	F
TEMP RISE @ FULL LOAD	80°C	80°C	80°C	80°C
DESIGN	B	B	B	B
RATED TORQUE	3.00 lb-ft	2.23 lb-ft	4.41 lb-ft	3.03 lb-ft
LOCKED ROTOR TORQUE	250%	180%	240%	200%
BREAKDOWN TORQUE	350%	250%	320%	270%
LOCKED ROTOR AMPS (STARTING)	30.0/15.0 A	40.0/20.0 A	40.0/20.0 A	50.0/25.0 A
IL/IN	10.0 Code N	10.5 Code M	9.5 Code M	10.0 Code L
INRUSH CURRENT	84.8/42.4 A	113.2/56.6 A	113.2/56.6 A	141.4/70.7 A
SLIP	2.22%	3.33%	2.50%	3.33%
NO LOAD CURRENT	1.9/0.95 A	1.44/0.72 A	2.44/1.22 A	1.54/0.77 A
MAX TIME LOCKED ROTOR (HOT)	20 seconds	20 seconds	20 seconds	20 seconds
DE BEARING	6205-ZZ	6205-ZZ	6205-ZZ	6205-ZZ
ODE BEARING	6205-ZZ	6205-ZZ	6205-ZZ	6205-ZZ
REGREASING INT-DE	N/A	N/A	N/A	N/A
REGREASING INT-ODE	N/A	N/A	N/A	N/A
ENCLOSURE	TEFC (IP54)	TEFC (IP54)	TEFC (IP54)	TEFC (IP54)
MOUNTING	F-1 (F-2 suitable)	F-1 (F-2 suitable)	F-1 (F-2 suitable)	F-1 (F-2 suitable)
ROTATION	CW/CCW	CW/CCW	CW/CCW	CW/CCW
MOMENT OF INERTIA	0.015 lb-ft squared	0.009 lb-ft squared	0.015 lb-ft squared	0.010 lb-ft squared
C FLANGE	W140TC	W140TC	W140TC	W140TC
D FLANGE	W140TD	W140TD	W140TD	W140TD
CONNECTION DIAGRAM	230/460V 9 lead Y	230/460V 9 lead Y	230/460V 9 lead Y	230/460V 9 lead Y
SHAFT MATERIAL	1045 carbon steel	1045 carbon steel	1045 carbon steel	1045 carbon steel
APPROX WEIGHT	58 lb	50 lb	60 lb	60 lb
POWER FACTOR @ LOAD = 100%	0.71	0.86	0.74	0.87
POWER FACTOR @ LOAD = 75%	0.63	0.82	0.66	0.83
POWER FACTOR @ LOAD = 50%	0.44	0.72	0.54	0.74
EFFICIENCY (%) @ LOAD = 100%	82.5	82.5	84.0	84.0
EFFICIENCY (%) @ LOAD = 75%	81.5	82.0	84.1	83.5
EFFICIENCY (%) @ LOAD = 50%	77.9	81.0	82.0	83.3

OME2-18-145T	OME3-18-182T	OME3-36-182T	OME5-18-184T	OME5-36-184T	OME5-9-254T
2	3	3	5	5	5
1800/4	1800/4	3600/2	1800/4	3600/2	900/8
208 to 230/460V 3	208 to 230/460V 3	208 to 230/460V 3	208 to 230/460V 3	208 to 230/460V 3	208 to 230/460V 3
145T	182T	182T	184T	184T	254T
60 HZ	60 HZ	60 HZ	60 HZ	60 HZ	60 HZ
1750 RPM	1750 RPM	3520 RPM	1750 RPM	3510 RPM	870 RPM
5.4/2.7 A	7.72/3.86 A	7.2/3.6 A	11.8/5.9 A	11.3/5.65 A	15.2/7.6 A
Continuous	Continuous	Continuous	Continuous	Continuous	Continuous
1.15	1.15	1.15	1.15	1.15	1.15
40°C	40°C	40°C	40°C	40°C	40°C
3300'	3300'	3300'	3300'	3300'	3300'
F	F	F	F	F	F
80°C	80°C	80°C	80°C	80°C	80°C
B	B	B	B	B	B
6.05 lb-ft	9.07 lb-ft	4.50 lb-ft	15.1 lb-ft	7.46 lb-ft	30 lb-ft
230%	280%	230%	270%	210%	210%
290%	330%	360%	310%	355%	280%
50.0/25.0 A	64.0/32.0 A	64.0/32.0 A	92.0/46.0 A	92.0/46.0 A	92.0/46.0 A
9.3 Code L	8.3 Code K	8.9 Code K	7.8 Code J	8.1 Code J	6.1 Code J
141.4/70.7 A	181/90.5 A	181/90.5 A	260/130 A	260/130 A	—
2.78%	2.78%	2.22%	2.78%	2.50%	3.33%
2.76/1.38 A	3.74/1.87 A	2.8/1.4 A	5.1/2.55 A	3.96/1.98 A	7.6/3.8 A
20 seconds	20 seconds	20 seconds	20 seconds	20 seconds	20 seconds
6205-ZZ	6306-ZZ	6306-ZZ	6306-ZZ	6306-ZZ	6309
6205-ZZ	6306-ZZ	6306-ZZ	6306-ZZ	6306-ZZ	6209
N/A	N/A	N/A	N/A	N/A	12,400 hour (0.46 oz)
N/A	N/A	N/A	N/A	N/A	12,700 hour (0.29 oz)
TEFC (IP54)	TEFC (IP54)	TEFC (IP54)	TEFC (IP54)	TEFC (IP54)	TEFC (IP54)
F-1 (F-2 suitable)	F-1 (F-2 suitable)	F-1 (F-2 suitable)	F-1 (F-2 suitable)	F-1 (F-2 suitable)	F-1 (F-2 suitable)
CW/CCW	CW/CCW	CW/CCW	CW/CCW	CW/CCW	CW/CCW
0.020 lb-ft squared	0.020 lb-ft squared	0.034 lb-ft squared	0.069 lb-ft squared	0.040 lb-ft squared	2.036 lb-ft squared
W140TC	W180TC	W180TC	W180TC	W180TC	W250TC
W140TD	W180TD	W180TD	W180TD	W180TD	W250TD
230/460V 9 lead Y	230/460V 9 lead Y	230/460V 9 lead Y	230/460V 9 lead Y	230/460V 9 lead Y	230/460V 9 lead delta
1045 carbon steel	1045 carbon steel	1045 carbon steel	1045 carbon steel	1045 carbon steel	1045 carbon steel
70 lb	90 lb	100 lb	110 lb	110 lb	240 lb
0.77	0.81	0.86	0.84	0.88	0.71
0.70	0.75	0.81	0.78	0.83	0.66
0.58	0.63	0.73	0.66	0.74	0.56
84.0	87.5	85.5	87.5	87.5	85.5
84.5	87.1	85.2	88.0	88.0	85.7
83.5	85.3	82.7	87.6	87.4	84.2



**To Order** (Specify Model Number)

**MOST POPULAR MODELS HIGHLIGHTED!**

MODEL NO.	PRICE	DESCRIPTION
OME1-18-143T	£78	143T frame cast iron motor, 208-230/460 V, three-phase, 1 HP, 1800 RPM
OME1.5-36-143T	96	143T frame cast iron motor, 208-230/460 V, three-phase, 1.5 HP, 3600 RPM
OME1.5-18-145T	98	145T frame cast iron motor, 208-230/460 V, three-phase, 1.5 HP, 1800 RPM
OME2-36-145T	109	145T frame cast iron motor, 208-230/460 V, three-phase, 2 HP, 3600 RPM
OME2-18-145T	102	145T frame cast iron motor, 208-230/460 V, three-phase, 2 HP, 1800 RPM
OME3-18-182T	133	182T frame cast iron motor, 208-230/460 V, three-phase, 3 HP, 1800 RPM
OME3-36-182T	137	182T frame cast iron motor, 208-230/460 V, three-phase, 3 HP, 3600 RPM
OME5-18-184T	148	184T frame cast iron motor, 208-230/460 V, three-phase, 5 HP, 1800 RPM
OME5-36-184T	177	184T frame cast iron motor, 208-230/460 V, three-phase, 5 HP, 3600 RPM
OME5-9-254T	417	245T frame cast iron motor, 208-230/460 V, three-phase, 5 HP, 900 RPM

Ordering Example: OME1-18-143T, 143T frame cast iron motor, 1 HP, 1800 RPM, £78.



OMW140TC, £8.70, shown smaller than actual size.



OMW184T, £14, shown smaller than actual size.

**ACCESSORIES**

MODEL NO.	PRICE	DESCRIPTION
OMW140TC	£8.70	C-flange kit, frame 143T,145T
OMW180TC	12	C-flange kit, frame 182T,184T
OMW250TC	30	C-flange kit, frame 254T,256T
OMW140TD	8.70	D-flange kit, frame 143T,145T
OMW180TD	12	D-flange kit, frame 182T,184T
OMW250TD	30	D-flange kit, frame 254T,256T
OMW143T	10.75	Motor slide base, 143T frame
OMW145T	10.75	Motor slide base, 145T frame
OMW182T	14	Motor slide base, 182T frame
OMW184T	14	Motor slide base, 184T frame
OMW254T	30	Motor slide base, 254T frame

Ordering Example: OMW140TC, C-flange kit for 143T-frame motor, £8.70.

# omega.co.uk<sup>®</sup>

Your One-Stop Source for Process Measurement and Control!

Freephone 0800 488 488 | International +44(0) 161 777 6622 | Fax +44(0) 161 777 6622 | Sales@omega.co.uk

[www.omega.co.uk](http://www.omega.co.uk)



#### UNITED STATES

[www.omega.com](http://www.omega.com)

1-800-TC-OMEGA

Stamford, CT.

#### CANADA

[www.omega.ca](http://www.omega.ca)

Laval(Quebec)

1-800-TC-OMEGA

#### GERMANY

[www.omega.de](http://www.omega.de)

Deckenpfronn, Germany

0800-8266342

#### UNITED KINGDOM

[www.omega.co.uk](http://www.omega.co.uk)

Manchester, England

0800-488-488

#### FRANCE

[www.omega.fr](http://www.omega.fr)

088-466-342

#### CZECH REPUBLIC

[www.omegaeng.cz](http://www.omegaeng.cz)

Karviná, Czech Republic

596-311-899

#### BENELUX

[www.omega.nl](http://www.omega.nl)

0800-099-33-44



## More than 100,000 Products Available!

### • Temperature

Calibrators, Connectors, General Test and Measurement Instruments, Handheld Instruments for Temperature Measurement, Ice Point References, Indicating Labels, Crayons, Cements and Lacquers, Infrared Temperature Measurement Instruments, Recorders, Relative Humidity Measurement Instruments, PT100 Probes, PT100 Elements, Temperature & Process Meters, Timers and Counters, Temperature and Process Controllers and Power Switching Devices, Thermistor Elements, Probes and Assemblies, Thermocouples, Thermowells and Head and Well Assemblies, Transmitters, Thermocouple Wire, RTD Probes

### • Flow and Level

Air Velocity Indicators, Doppler Flowmeters, Level Measurement, Magnetic Flowmeters, Mass Flowmeters, Pitot Tubes, Pumps, Rotameters, Turbine and Paddle Wheel Flowmeters, Ultrasonic Flowmeters, Valves, Variable Area Flowmeters, Vortex Shedding Flowmeters

### • pH and Conductivity

Conductivity Instrumentation, Dissolved Oxygen Instrumentation, Environmental Instrumentation, pH Electrodes and Instruments, Water and Soil Analysis Instrumentation

### • Data Acquisition

Auto-Dialers and Alarm Monitoring Systems, Communication Products and Converters, Data Acquisition and Analysis Software, Data Loggers Plug-in Cards, Signal Conditioners, USB, RS232, RS485 and Parallel Port Data Acquisition Systems, Wireless Transmitters and Receivers

### • Pressure, Strain and Force

Displacement Transducers, Dynamic Measurement Force Sensors, Instrumentation for Pressure and Strain Measurements, Load Cells, Pressure Gauges, Pressure Reference Section, Pressure Switches, Pressure Transducers, Proximity Transducers, Regulators, Pressure Transmitters, Strain Gauges, Torque Transducers, Valves

### • Heaters

Band Heaters, Cartridge Heaters, Circulation Heaters, Comfort Heaters, Controllers, Meters and Switching Devices, Flexible Heaters, General Test and Measurement Instruments, Heater Hook-up Wire, Heating Cable Systems, Immersion Heaters, Process Air and Duct, Heaters, Radiant Heaters, Strip Heaters, Tubular Heaters